

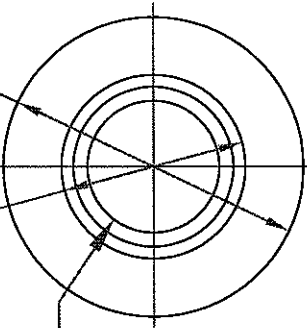
REVISIONS

ZONE	REV	DESCRIPTION	DATE	APPROVED
	B	REDRAWN	18AUG97	

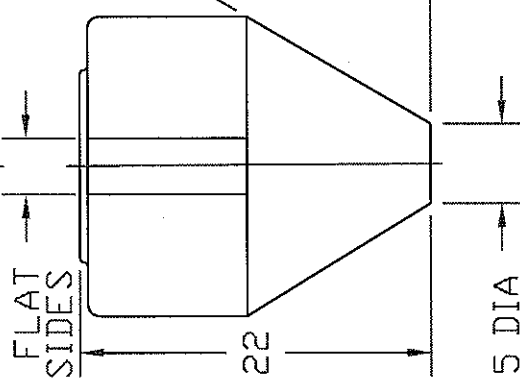
Ø11 1/2

Ø18 3/4

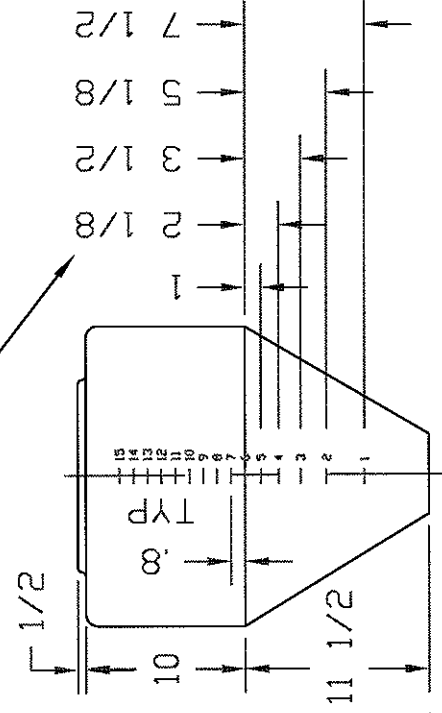
8 1/4 ACME THD,
RH, FOR 60002 LID



3 1/2 FLAT
BOTH
SIDES



NOTE: THESE DIMENSIONS ARE MEASURED
ALONG THE SURFACE.
GALLON MARKS ON ONE SIDE ONLY.



NORWESCO
ST. BONIFACIUS, MN

15 GALLON INDUCTOR TANK

JTP 18AUG97

SIZE FSCM NO.

A

DWG NO.

SCALE 1/12

SHEET

REV

B