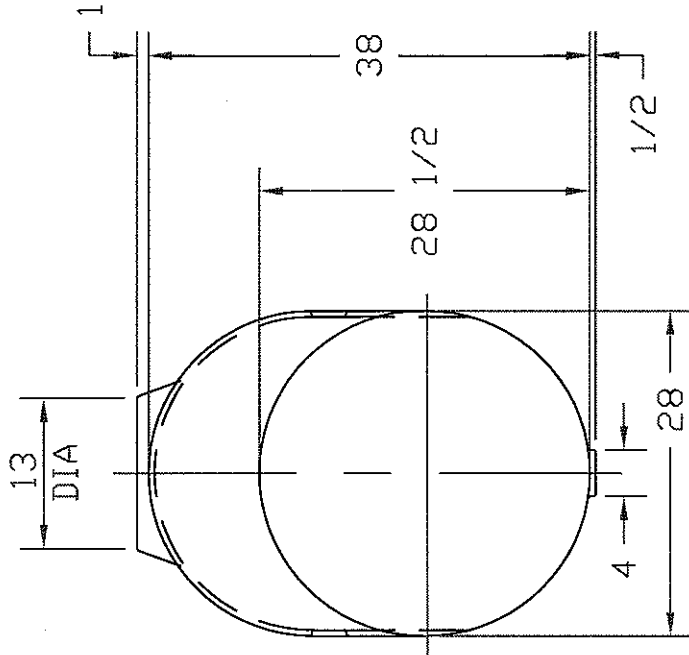
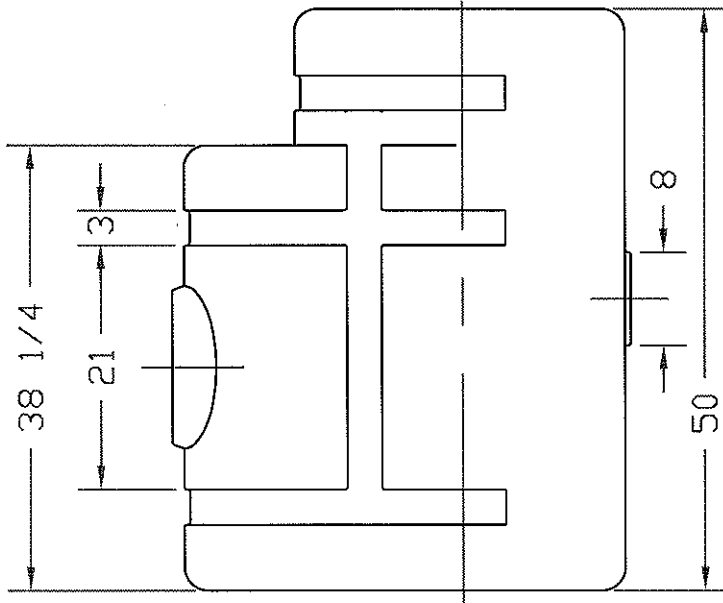


8 1/4 ACME THD,
RH, FOR 60002 LID



REVISIONS

ZONE	REV	DESCRIPTION	DATE	APPROVED

NORWESCO
ST. BONIFACIUS, MN

150 GALLON SLIM-LINE
APPLICATOR TANK

JTP 16APR96	SIZE FSCM NO.	DWG NO.	REV
	A		
	SCALE 1/16		SHEET