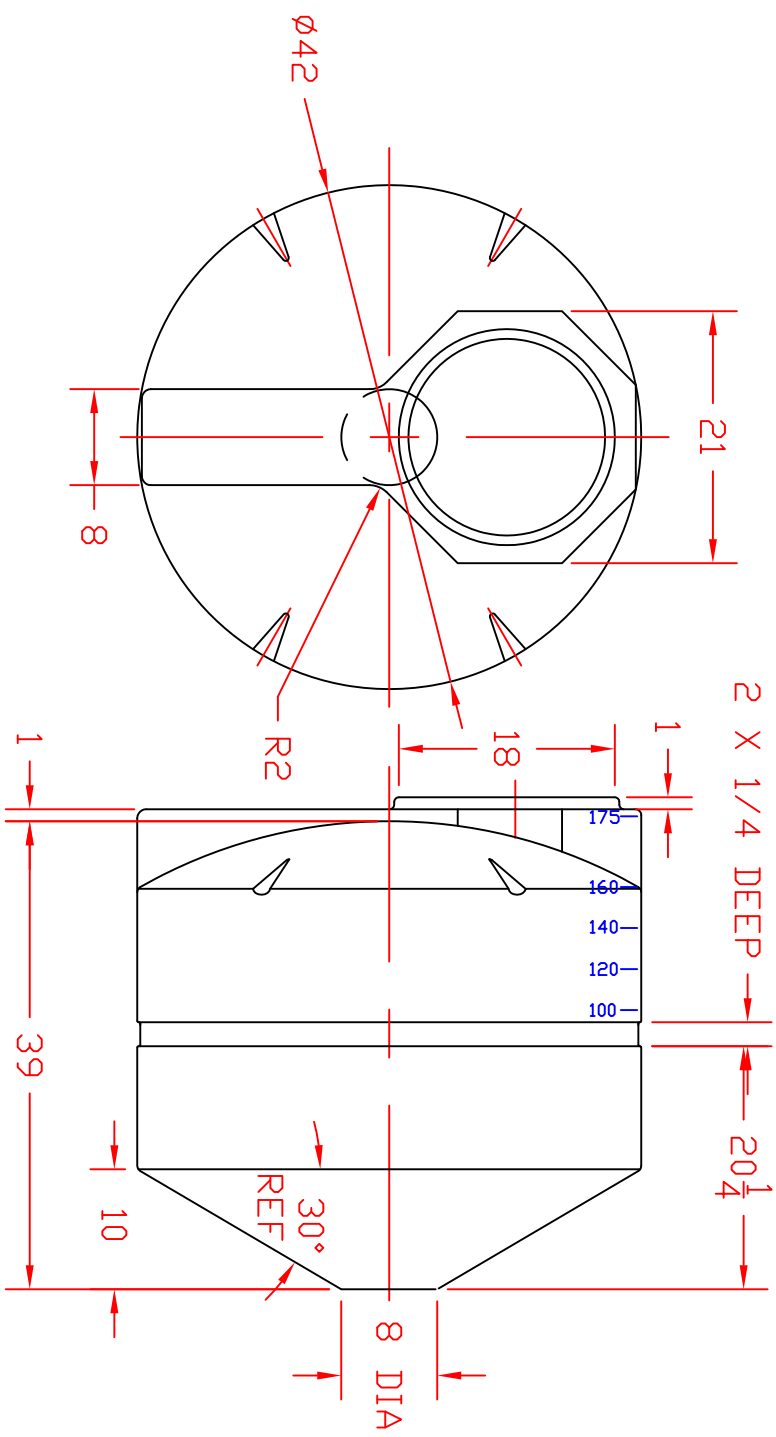



REVISIONS				
ZONE	REV	DESCRIPTION	DATE	APPROVED



 ST. BONIFACIUS, MN		JTP 08JUN12	
		SIZE A	FSCM NO.
175 GALLON CONE BOTTOM TANK		DWG NO.	REV
SCALE 1/16		SHEET	