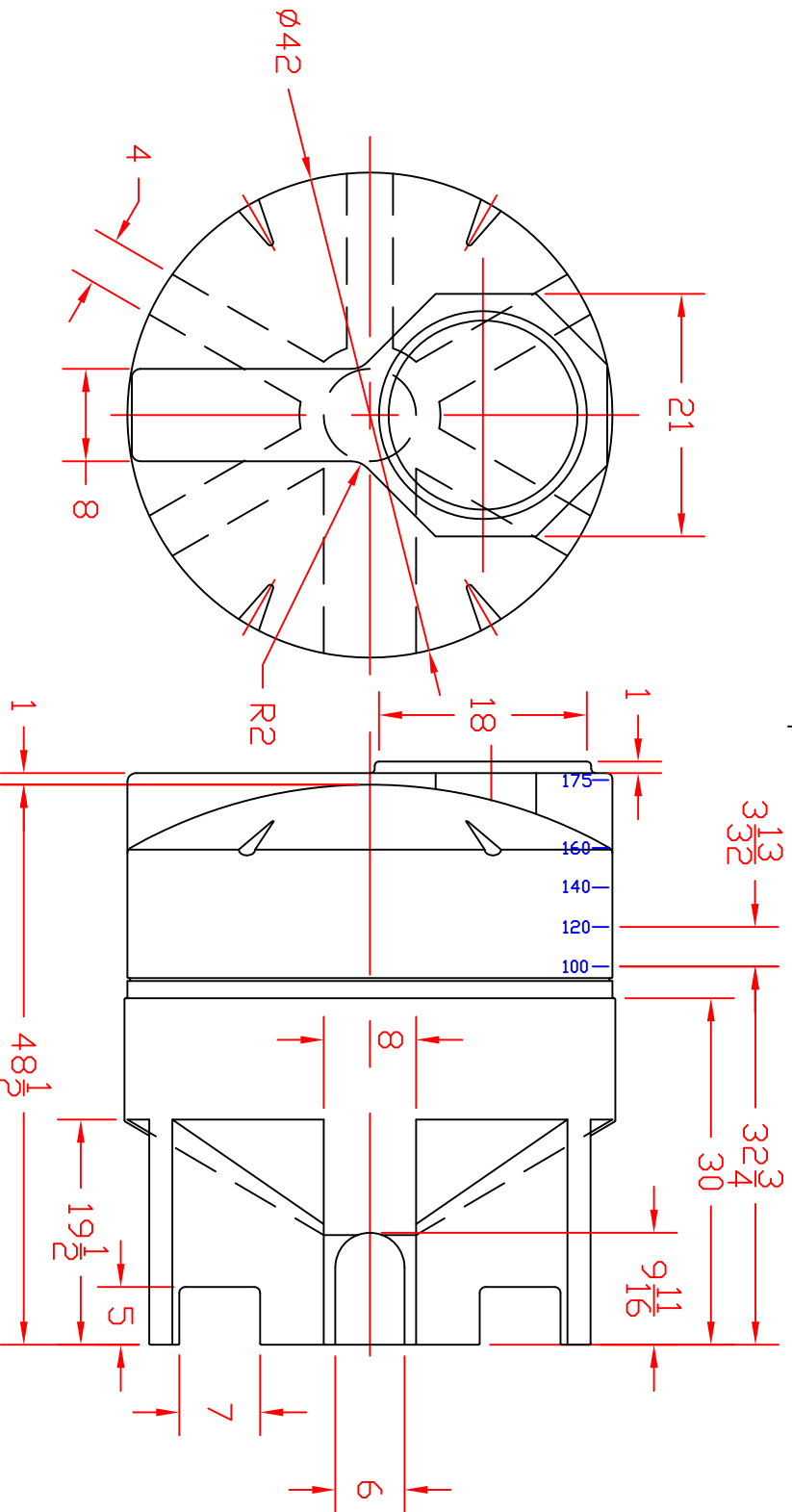


REVISIONS

ZONE	REV	DESCRIPTION	DATE	APPROVED
B		REDRAWN W/ 16" LID	23JAN02	



NORWESCO

ST. BONIFACIUS, MN

175 GALLON CONE BOTTOM
TANK WITH STAND

JTP 23JAN02

SCALE 1/16

SHEET

SIZE	FSCM NO.	DWG NO.	REV
A			B