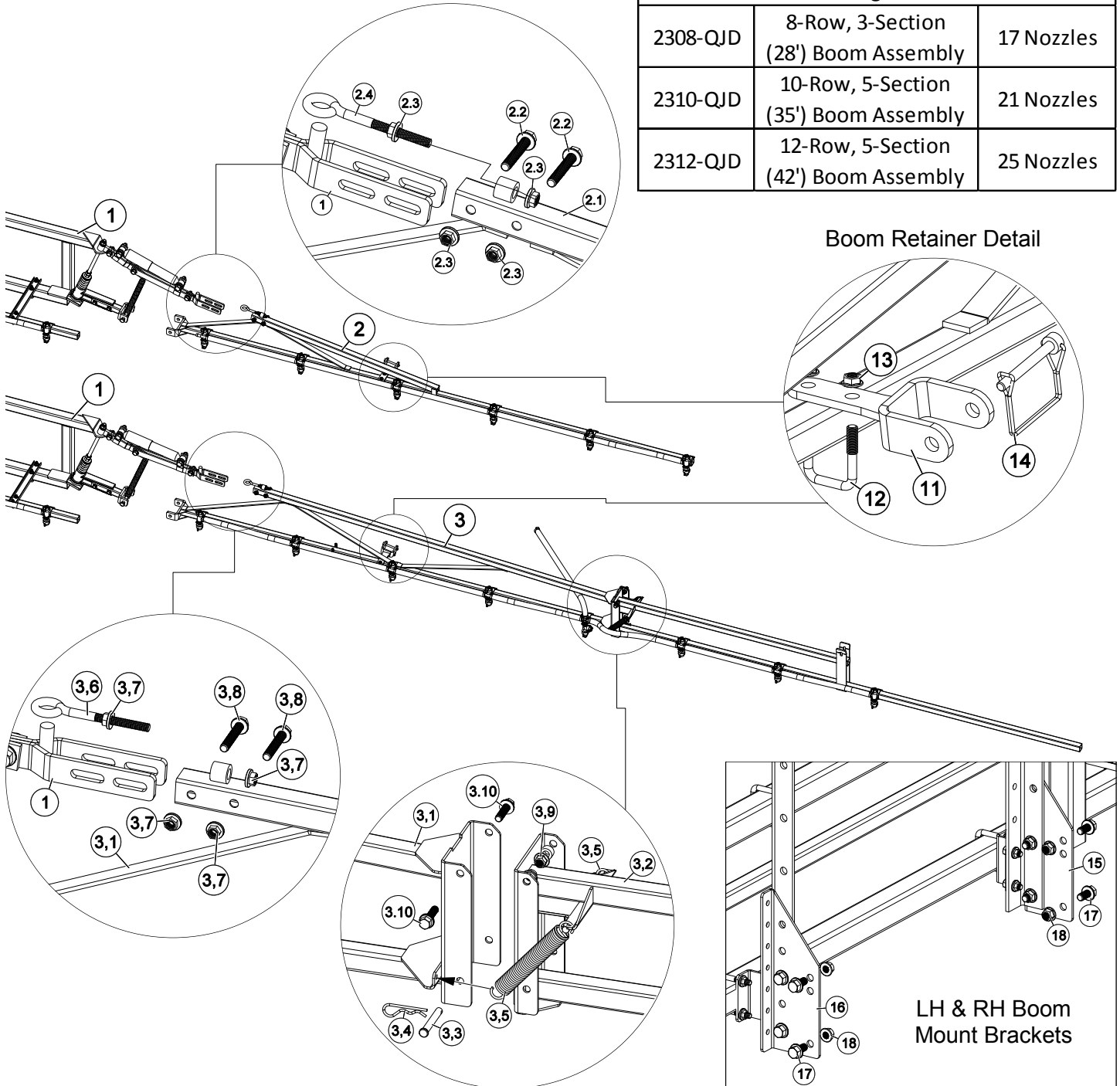


2300 Boom Assembly Component Breakdown & Parts List

Ref. #	Part #	2308	2310	2312	Description
1	5300325	1	1	1	Back Rack Assembly (2300 Series Boom)
2	5300189	2	-	-	2308 Series Outer Boom Assembly
2.1	5272076	1	-	-	End Boom (8-Row)
2.2	5034666	2	-	-	H.H.C.S. Flanged 3/8"-16nc x2 1/4" Long
2.3	5006259	4	-	-	3/8"-16 Hex Whiz (Flange) Locknut
2.4	5034107	1	-	-	3/8" x 4" Eyebolt, Turned, Zinc-Plated
3	5277922	-	2	2	2310 & 2312 Series Outer Boom Assembly
3.1	5272230	-	1	1	Wing Boom Weldment (1200)
3.2	5272232	-	1	1	End Boom Weldment (1200)
3.3	5101064	-	1	1	Clevis Pin, 3/8" Dia. x 2 5/8"
3.4	5101065	-	1	1	#211 Hitch Pin Clip (Zinc Plated)
3.5	5019143	-	2	2	Extension Spring
3.6	5034107	-	1	1	3/8" x 4" Eyebolt, Turned, Zinc-Plated
3.7	5006259	-	4	4	3/8"-16 Hex Whiz (Flange) Locknut
3.8	5034666	-	2	2	H.H.C.S. Flanged 3/8"-16nc x2 1/4" Long
3.9	5006345	-	2	2	3/8"-16nc Hex Flanged Toplock Nut Gr. 5
3.10	5034663	-	2	2	H.H.C.S. Flanged 3/8"-16nc x 1 1/2" Long

Ref. #	Part #	2308	2310	2312	Description
4	5277852	1	-	-	LH Nozzle Harness Assembly (8- Row QJD)
5	5277856	-	1	-	LH Nozzle Harness Assembly (10- Row QJD)
6	5277858	-	-	1	LH Nozzle Harness Assembly (12- Row QJD)
7	5277767	1	1	1	Center Nozzle Harness Assembly (QJD - 1/2")
8	5277853	1	-	-	RH Nozzle Harness Assembly (8- Row QJD)
9	5277857	-	1	-	RH Nozzle Harness Assembly (10-Row QJD)
10	5277859	-	-	1	RH Nozzle Harness Assembly (12-Row QJD)
11	5278772	1	1	1	Boom Retainer Weldment
12	5034159	1	1	1	Square U-Bolt, 5/16" x 1 5/16" x 1 7/8"
13	5006307	2	2	2	5/16-18nc Hex Flanged Whiz Nut Gr. 5
14	5101302	1	1	1	D-Ring Lock Pin, 5/16" Dia. x 2-3/4"
15	5038767	1	1	1	Boom Mount Bracket (LH)
16	5038766	1	1	1	Boom Mount Bracket (RH)
17	5034690	4	4	4	H.H.C.S. Flanged 1/2"-13nc x 1" Long
18	5006365	4	4	4	1/2-13nc Hex Flanged Toplock Nut Gr. 8

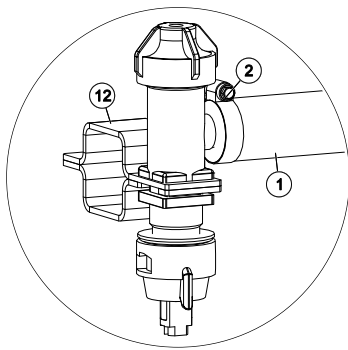
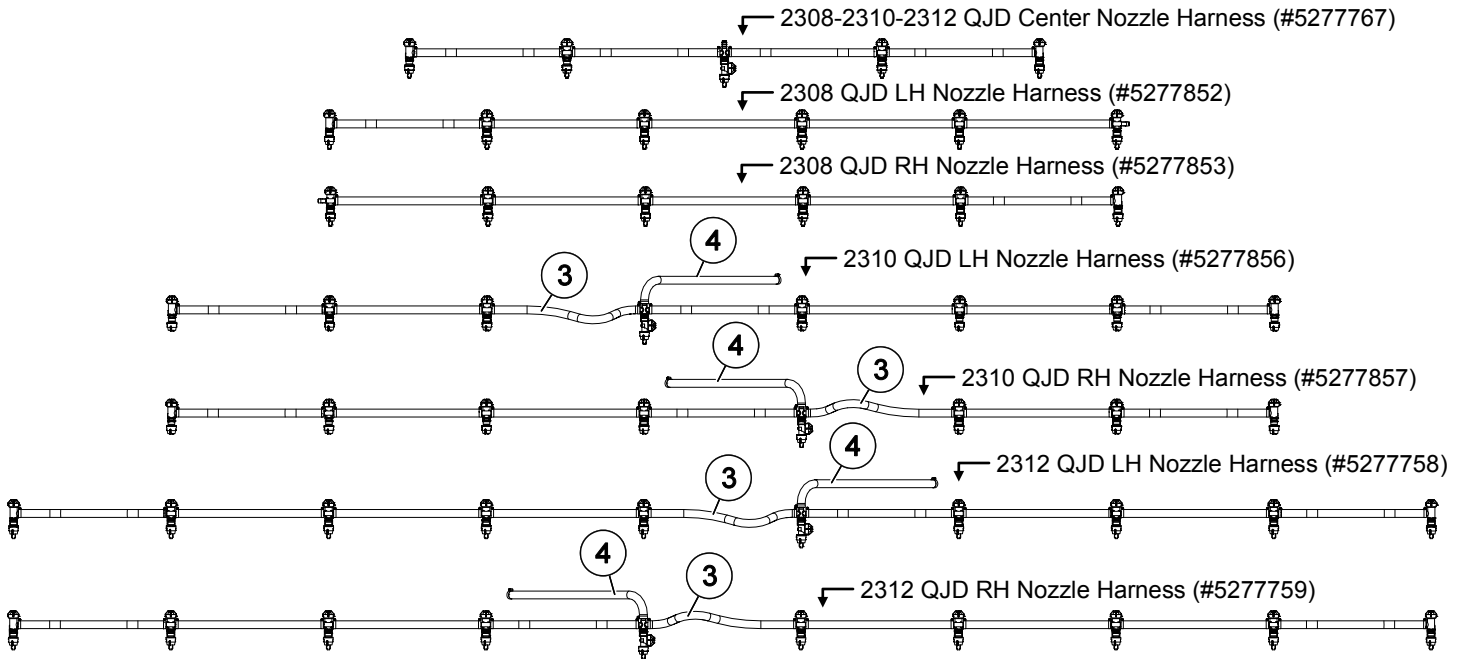
Boom Configuration Info		
2308-QJD	8-Row, 3-Section (28') Boom Assembly	17 Nozzles
2310-QJD	10-Row, 5-Section (35') Boom Assembly	21 Nozzles
2312-QJD	12-Row, 5-Section (42') Boom Assembly	25 Nozzles



Boom Retainer Detail

LH & RH Boom Mount Brackets

2300 Boom Assembly Component Breakdown & Parts List



NOTES:

All hoses that are not called out, will be hose #5020416 (Item 1)

All hose clamps (2 per hose) are #5051114 (Item 2)

Ref. #	Part #	2308	2310	2312	Description
1	5020416	14	16	20	Hose, 1/2"-1 Brd. x 19 3/8"
2	5051114	28	40	48	Hose Clamp, 1/2"
3	5020009	-	2	2	Hose, 1/2"-1 Brd. x 26"
4	5020124	-	2	2	Hose, 1/2"-1 Brd. x 8 Ft.
5	5056086	4	6	6	Vari-Quick "End" Nozzle Assembly
6	5056089	12	12	16	Vari-Quick "Tee" Nozzle Assembly
7	5056075	1	3	3	Vari-Quick "Cross" Nozzle Assembly
8	5116019	17	21	25	Nozzle Strainer, Red (50 Mesh)
9	5016157	17	21	25	Seat Washer (QJ Caps)
10	AIXR11003VP	17	21	25	Air-Induction XR Flat Spray Tip
11	5046217	17	21	25	QJ Cap Only (Blue)
12	5272165	17	21	25	Vari-Quick Clamp (1 1/4" Sq. Tube)

Spray Tip Rate Chart (20" Spacing)

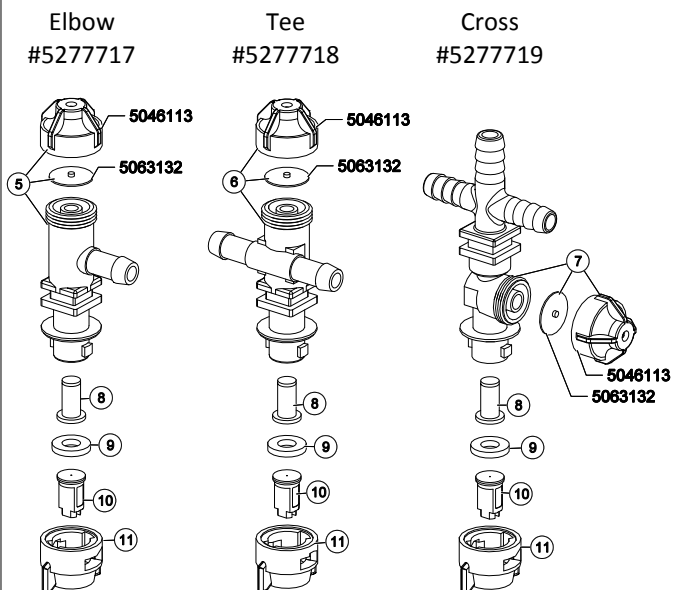
Tip No.	Pressure (psi)	Capacity (GPM)	Gallons Per Acre - Based on Water							
			1 MPH	2 MPH	3 MPH	4 MPH	5 MPH	6 MPH	8 MPH	
AIXR11003VP	15	.18	53.6	26.8	17.8	13.4	10.7	8.9	6.7	
	20	.21	62.4	31.2	20.8	15.6	12.5	10.4	7.8	
	30	.26	77.2	38.6	25.8	19.3	15.4	12.9	9.7	
	40	.30	88.0	44.0	29.8	22.0	17.8	14.9	11.1	
Tip No.	Pressure (psi)	Capacity (GPM)	Gallons Per 1000 Sq. Ft. - Based on Water							
			1 MPH	2 MPH	3 MPH	4 MPH	5 MPH	6 MPH	8 MPH	
AIXR11003VP	15	.18		.61	.41	.31	.24			
	20	.21		.71	.48	.36	.29			
	30	.26		.88	.59	.44	.35			
	40	.30		1.0	.68	.51	.41			

The AIXR TeeJet Flat Spray Tip offers the benefits of obtaining excellent drift resistance without compromising spray coverage. Tips producing very coarse droplets do minimize drift but do not provide the same surface coverage as tips that produce smaller droplets. In some applications, inadequate coverage decreases the effectiveness of the applied chemicals.

AIXR Features and Benefits

- 110° wide, tapered flat spray angle with air induction technology for better drift management
- Made of 2-piece UHMWPE polymer construction which provides excellent chemical resistance, including acids, as well as exceptional wear life
- Compact size to prevent tip damage
- Removable pre-orifice
- Excellent for systemic products and drift management

Typical Nozzle Assembly Configurations

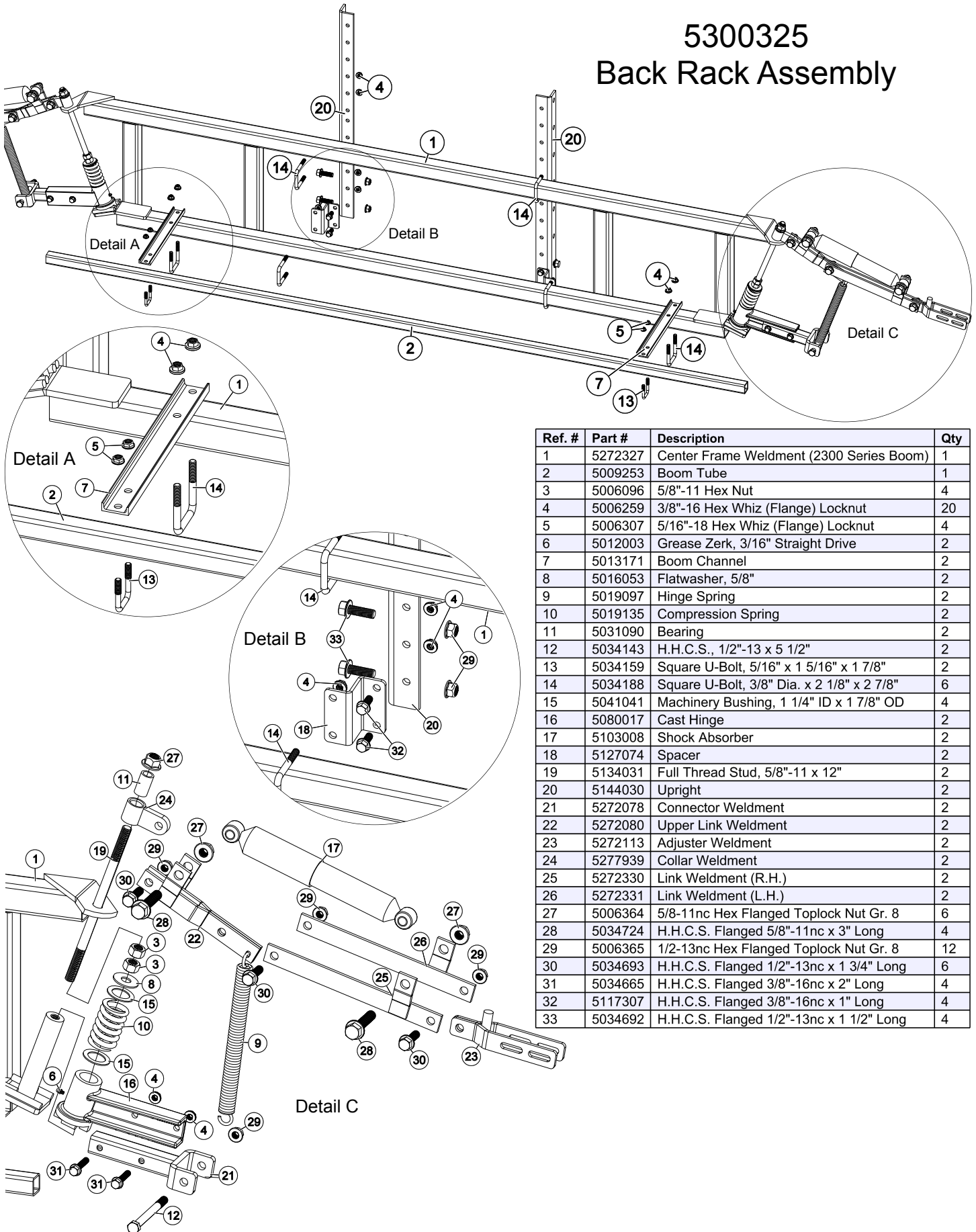


Nozzle Assemblies consist of "Elbow", "Tee" & "Cross" style nozzles.

Assemblies include: Nozzle Body, Strainer, Seat Washer, AIXR11003VP Nozzles & Nozzle Cap

2300 Boom Assembly Component Breakdown & Parts List

5300325 Back Rack Assembly



Ref. #	Part #	Description	Qty
1	5272327	Center Frame Weldment (2300 Series Boom)	1
2	5009253	Boom Tube	1
3	5006096	5/8"-11 Hex Nut	4
4	5006259	3/8"-16 Hex Whiz (Flange) Locknut	20
5	5006307	5/16"-18 Hex Whiz (Flange) Locknut	4
6	5012003	Grease Zerk, 3/16" Straight Drive	2
7	5013171	Boom Channel	2
8	5016053	Flatwasher, 5/8"	2
9	5019097	Hinge Spring	2
10	5019135	Compression Spring	2
11	5031090	Bearing	2
12	5034143	H.H.C.S., 1/2"-13 x 5 1/2"	2
13	5034159	Square U-Bolt, 5/16" x 1 5/16" x 1 7/8"	2
14	5034188	Square U-Bolt, 3/8" Dia. x 2 1/8" x 2 7/8"	6
15	5041041	Machinery Bushing, 1 1/4" ID x 1 7/8" OD	4
16	5080017	Cast Hinge	2
17	5103008	Shock Absorber	2
18	5127074	Spacer	2
19	5134031	Full Thread Stud, 5/8"-11 x 12"	2
20	5144030	Upright	2
21	5272078	Connector Weldment	2
22	5272080	Upper Link Weldment	2
23	5272113	Adjuster Weldment	2
24	5277939	Collar Weldment	2
25	5272330	Link Weldment (R.H.)	2
26	5272331	Link Weldment (L.H.)	2
27	5006364	5/8-11nc Hex Flanged Toplock Nut Gr. 8	6
28	5034724	H.H.C.S. Flanged 5/8"-11nc x 3" Long	4
29	5006365	1/2-13nc Hex Flanged Toplock Nut Gr. 8	12
30	5034693	H.H.C.S. Flanged 1/2"-13nc x 1 3/4" Long	6
31	5034665	H.H.C.S. Flanged 3/8"-16nc x 2" Long	4
32	5117307	H.H.C.S. Flanged 3/8"-16nc x 1" Long	4
33	5034692	H.H.C.S. Flanged 1/2"-13nc x 1 1/2" Long	4