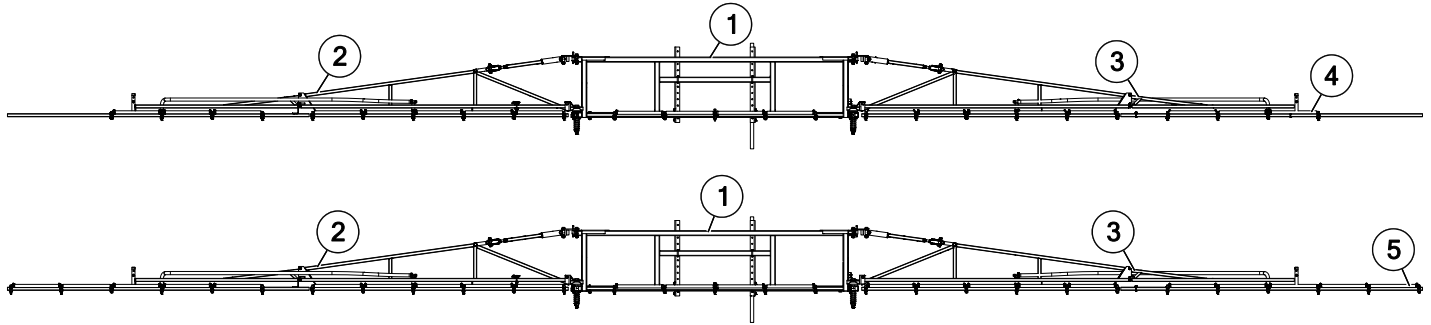


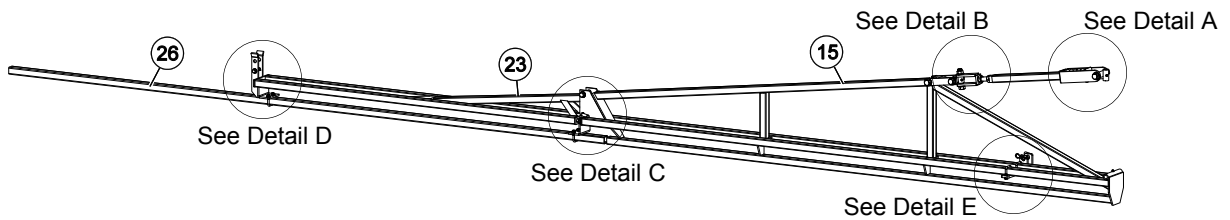
2400 Boom Assembly Component Breakdown & Parts List



| Ref. # | Part # | Description | Qty |
|--------|---------|----------------------------------|-----|
| 1 | 5300405 | Back Rack Assembly (2400 Series) | 1 |
| 2 | 5300526 | Outer Boom Assembly, LH | 1 |
| 3 | 5300407 | Outer Boom Assembly, RH | 1 |

| Ref. # | Part # | Description | Qty |
|--------|---------|---|-----|
| 4 | 5300358 | 2400 Series 12-Row, QJD Nozzle Harness Assembly | 1 |
| 5 | 5300359 | 2400 Series 14-Row, QJD Nozzle Harness Assembly | 1 |

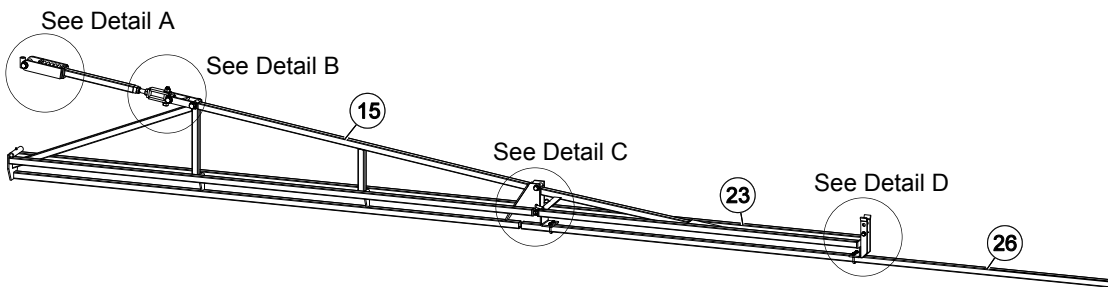
LH Boom



| Ref. # | Part # | Description | Qty |
|--------|---------|--|-----|
| 1 | 5273119 | Spring Bracket Weldment | 1 |
| 2 | 5034728 | H.H.C.S. Flanged 5/8"-11nc x 4" | 1 |
| 3 | 5273118 | Boom Support Trunion Weldment | 1 |
| 4 | 5012003 | Grease Zerk, 3/16" Straight Drive | 6 |
| 5 | 5006364 | 5/8-11nc Hex Flanged Toplock Nut Gr. 8 | 5 |
| 6 | 5273120 | Boom Support Weldment | 1 |
| 7 | 5016252 | Spring Washer | 1 |
| 8 | 5019157 | Compression Spring | 1 |
| 9 | 5006260 | 3/4"-10 Hex Jam Nut | 1 |
| 10 | 5272637 | Adjustable Clevis Weldment | 1 |
| 11 | 5272634 | Attaching Bracket Weldment | 1 |
| 12 | 5272630 | Trunion Weldment | 1 |
| 13 | 5034724 | H.H.C.S. Flanged 5/8"-11nc x 3" | 1 |
| 14 | 5034726 | H.H.C.S. Flanged 5/8"-11nc x 3 1/2" | 2 |

| Ref. # | Part # | Description | Qty |
|--------|---------|---|-----|
| 15 | 5272625 | Wing Boom Weldment (L.H.) | 1 |
| 16 | 5034700 | H.H.C.S. Flanged 1/2"-13nc x 3 1/2" | 1 |
| 17 | 5006365 | 1/2-13nc Hex Flanged Toplock Nut Gr. 8 | 1 |
| 18 | 5034692 | H.H.C.S. Flanged 1/2"-13nc x 1 1/2" | 2 |
| 19 | 5101202 | Bent Clevis Pin (1/2" Dia.) | 2 |
| 20 | 5101065 | #211 Hitch Pin Clip (Zinc Plated) | 2 |
| 21 | 5034159 | Square U-Bolt, 5/16" x 1 5/16" x 1 7/8" | 4 |
| 22 | 5006307 | 5/16-18nc Hex Flanged Whiz Nut Gr. 5 | 8 |
| 23 | 5272627 | Outer Boom Weldment (L.H.) | 1 |
| 24 | 5034666 | H.H.C.S. Flanged 3/8"-16nc x 2 1/4" | 1 |
| 25 | 5006366 | 3/8-16nc Hex Flanged Toplock Nut Gr. 8 | 1 |
| 26 | 5009228 | Boom Tube (120") | 1 |
| 27 | 5272632 | Boom Retainer Weldment | 1 |

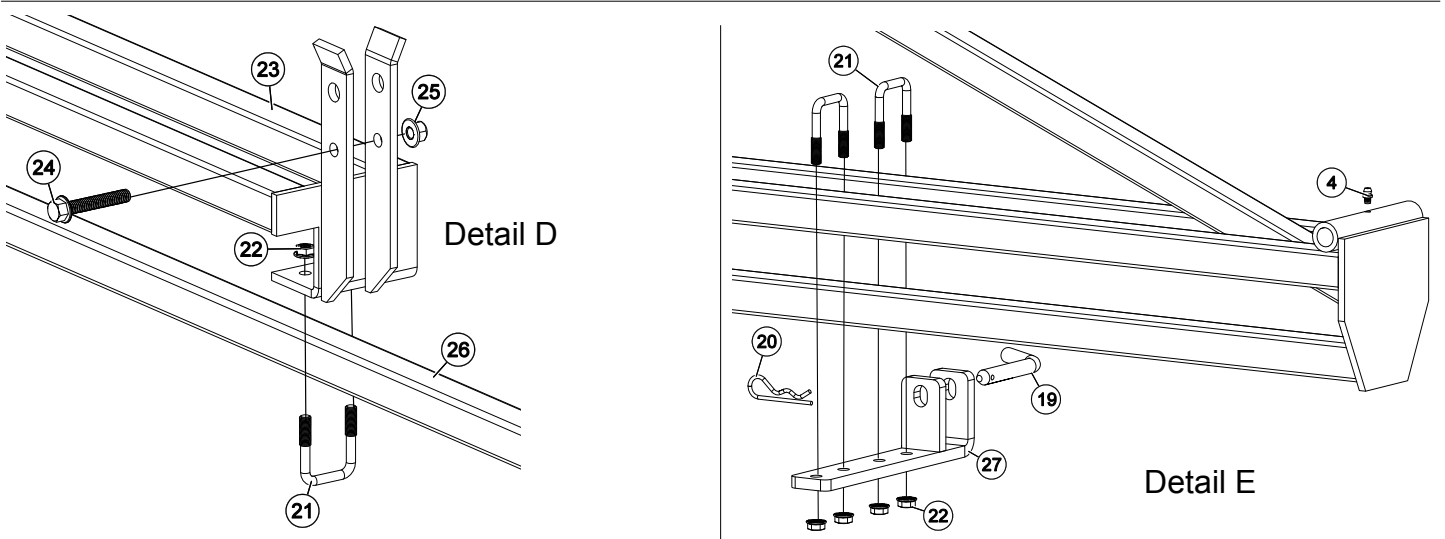
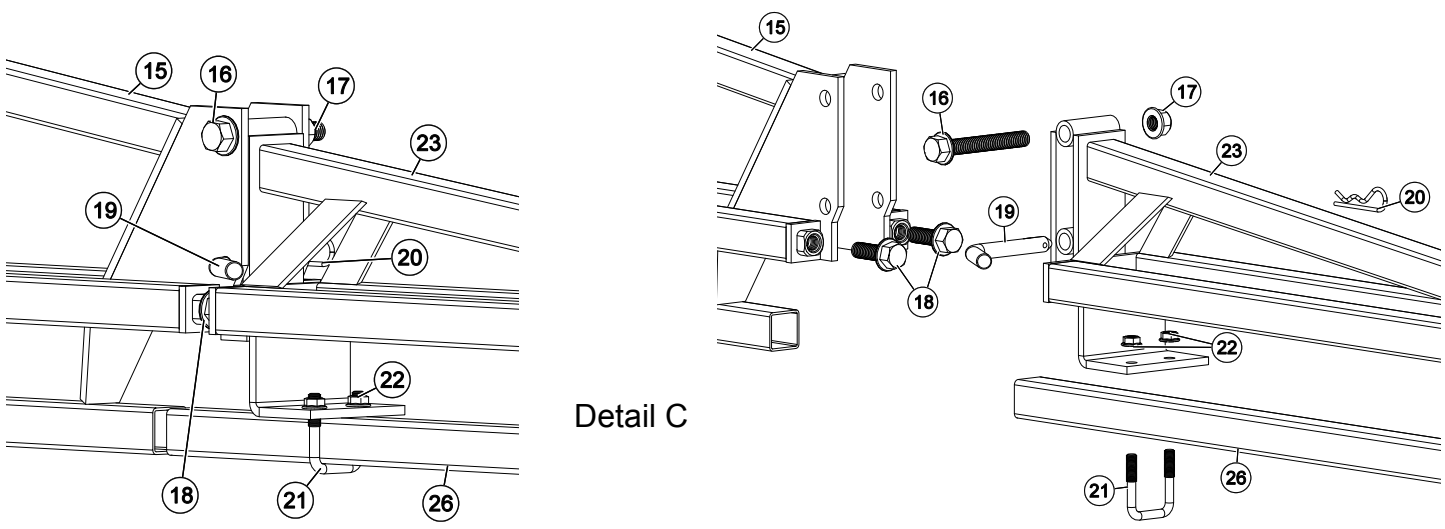
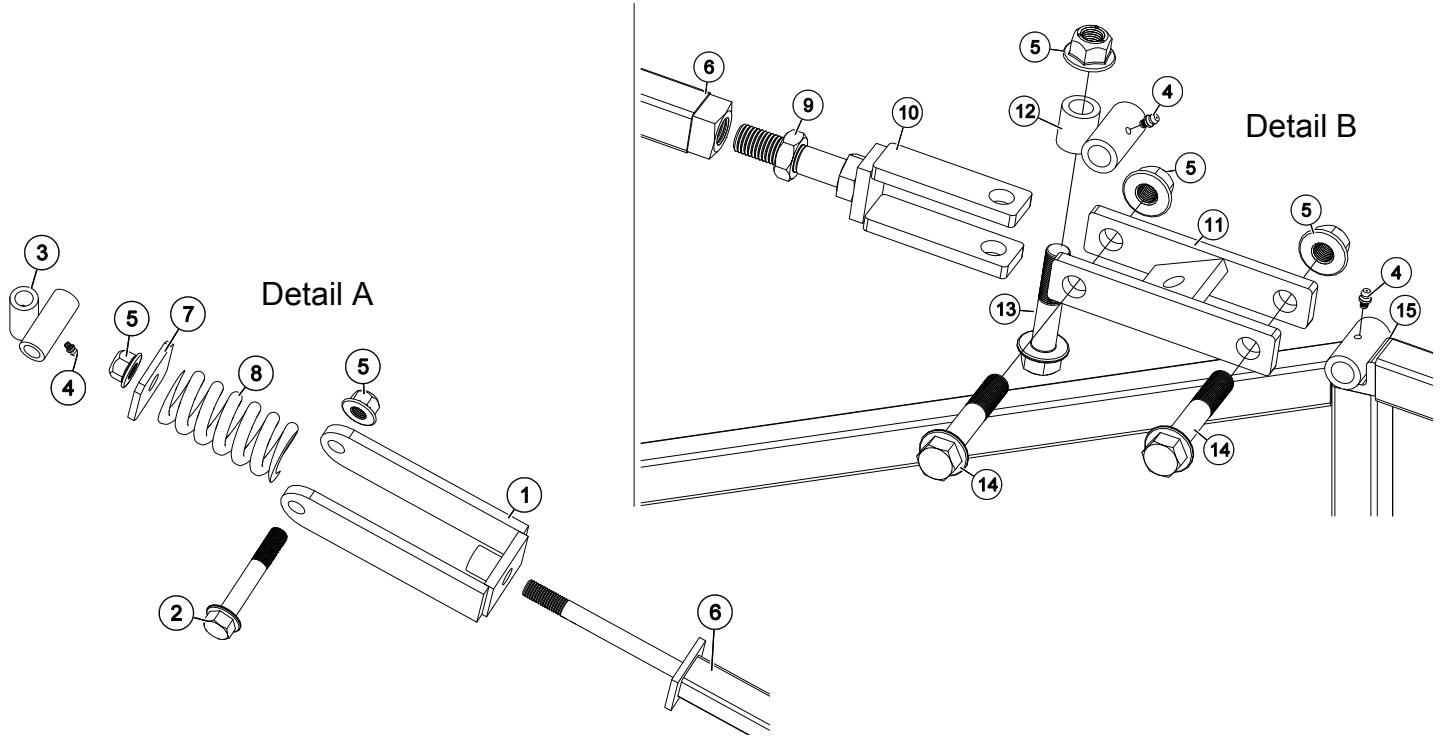
RH Boom



| Ref. # | Part # | Description | Qty |
|--------|---------|--|-----|
| 1 | 5273119 | Spring Bracket Weldment | 1 |
| 2 | 5034728 | H.H.C.S. Flanged 5/8"-11nc x 4" | 1 |
| 3 | 5273118 | Boom Support Trunion Weldment | 1 |
| 4 | 5012003 | Grease Zerk, 3/16" Straight Drive | 6 |
| 5 | 5006364 | 5/8-11nc Hex Flanged Toplock Nut Gr. 8 | 5 |
| 6 | 5273120 | Boom Support Weldment | 1 |
| 7 | 5016252 | Spring Washer | 1 |
| 8 | 5019157 | Compression Spring | 1 |
| 9 | 5006260 | 3/4"-10 Hex Jam Nut | 1 |
| 10 | 5272637 | Adjustable Clevis Weldment | 1 |
| 11 | 5272634 | Attaching Bracket Weldment | 1 |
| 12 | 5272630 | Trunion Weldment | 1 |
| 13 | 5034724 | H.H.C.S. Flanged 5/8"-11nc x 3" | 1 |
| 14 | 5034726 | H.H.C.S. Flanged 5/8"-11nc x 3 1/2" | 2 |

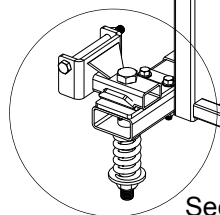
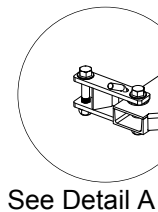
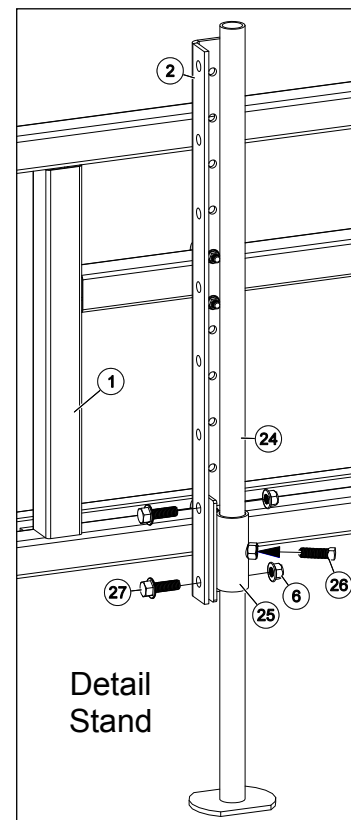
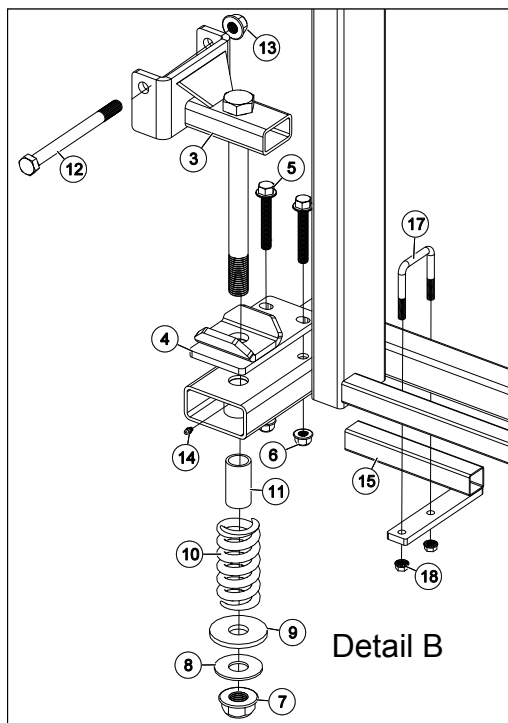
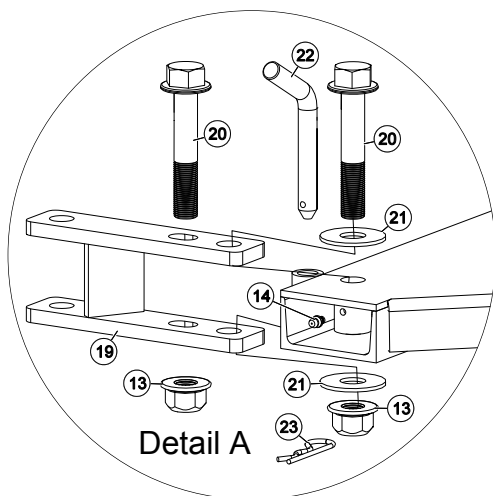
| Ref. # | Part # | Description | Qty |
|--------|---------|---|-----|
| 15 | 5272624 | Wing Boom Weldment (R.H.) | 1 |
| 16 | 5034700 | H.H.C.S. Flanged 1/2"-13nc x 3 1/2" | 1 |
| 17 | 5006365 | 1/2-13nc Hex Flanged Toplock Nut Gr. 8 | 1 |
| 18 | 5034692 | H.H.C.S. Flanged 1/2"-13nc x 1 1/2" | 2 |
| 19 | 5101202 | Bent Clevis Pin (1/2" Dia.) | 1 |
| 20 | 5101065 | #211 Hitch Pin Clip (Zinc Plated) | 1 |
| 21 | 5034159 | Square U-Bolt, 5/16" x 1 5/16" x 1 7/8" | 2 |
| 22 | 5006307 | 5/16-18nc Hex Flanged Whiz Nut Gr. 5 | 4 |
| 23 | 5272626 | Outer Boom Weldment (RH) | 1 |
| 24 | 5034666 | H.H.C.S. Flanged 3/8"-16nc x 2 1/4" | 1 |
| 25 | 5006366 | 3/8-16nc Hex Flanged Toplock Nut Gr. 8 | 1 |
| 26 | 5009228 | Boom Tube (120") | 1 |

2400 Boom Assembly Component Breakdown & Parts List



2400 Boom Assembly Component Breakdown & Parts List

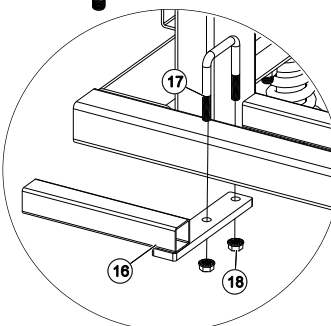
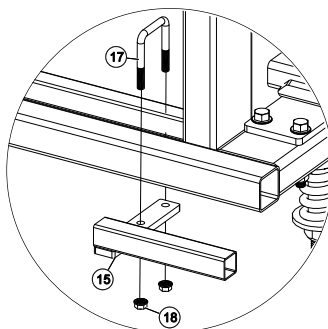
Back Rack Assembly 5300405



See Detail Stand

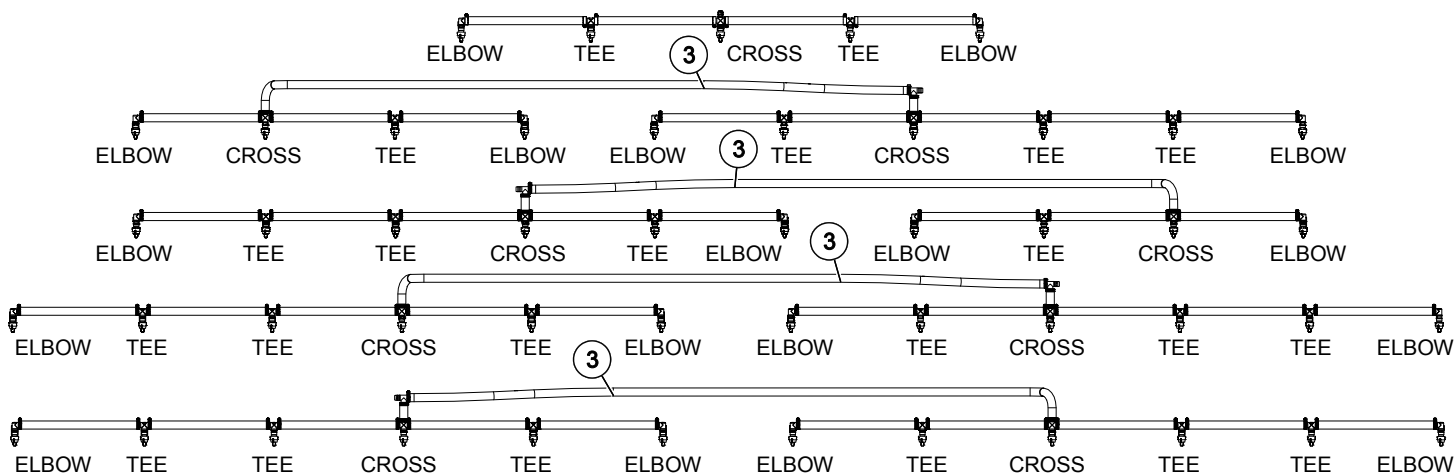
| Ref. # | Part # | Description | Qty |
|--------|---------|--|-----|
| 1 | 5273733 | Center Frame Weldment (2400 Boom) | 1 |
| 2 | 5144030 | Upright | 2 |
| 3 | 5273735 | Upper Pivot Clevis Weldment | 2 |
| 4 | 5273734 | Lower Pivot Clevis Weldment | 2 |
| 5 | 5034699 | H.H.C.S. Flanged 1/2"-13nc x 3 1/4" | 4 |
| 6 | 5006365 | 1/2-13nc Hex Flanged Toplock Nut Gr. 8 | 8 |
| 7 | 5006363 | 1"-8nc Hex Flanged Toplock Nut Gr. 8 | 2 |
| 8 | 5016198 | Thrust Washer (1") | 2 |
| 9 | 5016200 | Spring Retainer Washer | 2 |
| 10 | 5019157 | Compression Spring | 2 |
| 11 | 5077036 | Spring Guide | 2 |
| 12 | 5034490 | H.H.C.S. 5/8"-11nc x 7 1/2" | 2 |
| 13 | 5006364 | 5/8-11nc Hex Flanged Toplock Nut Gr. 8 | 6 |
| 14 | 5012003 | Grease Zerk, 3/16" Straight Drive | 4 |
| 15 | 5272635 | Hinge Nozzle Tube Weldment (LH) | 1 |
| 16 | 5272636 | Hinge Nozzle Tube Weldment (RH) | 1 |
| 17 | 5034188 | Square U-Bolt, 3/8" Dia. x 2 1/8" x 2 7/8" | 6 |
| 18 | 5006259 | 3/8-16nc Hex Flanged Whiz Nut Gr. 5 | 12 |
| 19 | 5272633 | Pivot Arm Weldment | 2 |
| 20 | 5034675 | H.H.C.S. Flanged 5/8"-11nc x 3 1/2" | 4 |
| 21 | 5016053 | Flatwasher, 5/8" | 4 |
| 22 | 5101202 | Bent Clevis Pin (1/2" Dia.) | 2 |
| 23 | 5101065 | #211 Hitch Pin Clip (Zinc Plated) | 2 |
| 24 | 5271999 | Stand Weldment | 1 |
| 25 | 5271998 | Stand Sleeve Weldment | 1 |
| 26 | 5117104 | 1/2"-13 x 1 1/2" Sq. Head Set Screw | 1 |
| 27 | 5034692 | H.H.C.S. Flanged 1/2"-13nc x 1 1/2" | 4 |

LH Nozzle Extension

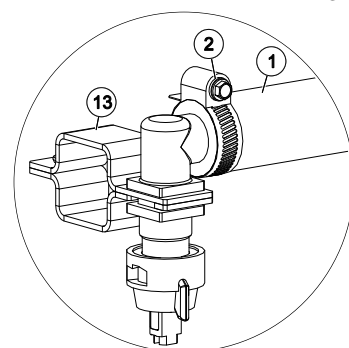
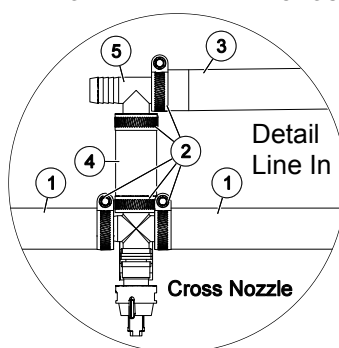


RH Nozzle Extension

2400 Boom Assembly Component Breakdown & Parts List



| Ref. # | Part # | Description | Qty | 2468-12 | 2468-14 |
|--------|-------------|------------------------------------|-----|---------|---------|
| 1 | 5020287 | Hose, 3/4" - 1 Brd. x 19" | 1 | 20 | 24 |
| 2 | 5051024 | Hose Clamp, 3/4" | 1 | 48 | 52 |
| 3 | 5020150 | Hose, 3/4" - 1 Brd. x 108" | 1 | 2 | 2 |
| 4 | 5020351 | Hose, 3/4" - 1 Brd. x 3" | 1 | 2 | 2 |
| 5 | 5086030 | Poly Hose Barb, 3/4" x 3/4" x 3/4" | 1 | 2 | 2 |
| 6 | 5056066 | Single Hose Shank, 3/4" Elbow | 1 | 10 | 10 |
| 7 | 5056068 | Double Hose Shank, 3/4" TEE | 1 | 10 | 14 |
| 8 | 5056070 | Triple Hose Shank, 3/4" CROSS | 1 | 5 | 5 |
| 9 | 5116019 | Nozzle Strainer (50 Mesh) | 1 | 25 | 29 |
| 10 | 5016157 | Seat Washer (QJ Caps) | 1 | 25 | 29 |
| 11 | AIXR11003VP | Air-Induction Spray XR Tip, Blue | 1 | 25 | 29 |
| 12 | 5046217 | QJ Cap Only (Blue) | 1 | 25 | 29 |
| 13 | 5272165 | Vari-Quick Clamp (1 1/4" Sq. Tube) | 1 | 25 | 29 |



| Boom Configuration Info | | |
|-------------------------|---------------------------------------|------------|
| 2468-12QJ | 12-Row, 5-Section (42') Boom Assembly | 25 Nozzles |
| 2468-14QJ | 14-Row, 5-Section (48') Boom Assembly | 29 Nozzles |

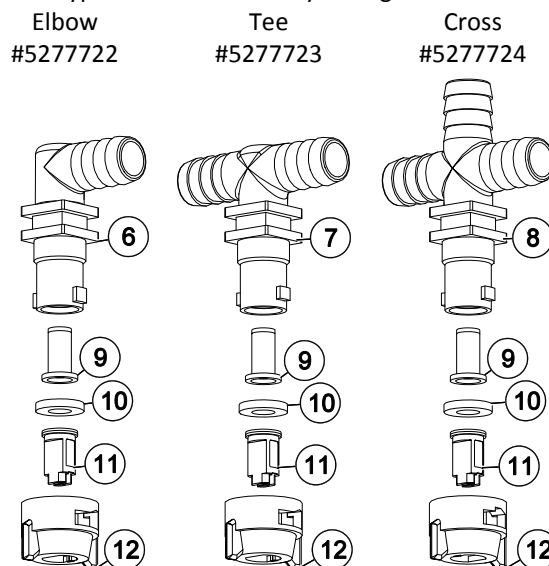
NOTES:

All hoses that are not called out, will be hose #5020287 (Item 1)

All hose clamps (2 per hose) are #5051024 (Item 2)

| Spray Tip Rate Chart (20" Spacing) | | | | | | | | | | |
|------------------------------------|----------------|----------------|---|-------|-------|-------|-------|-------|-------|--|
| Tip No. | Pressure (psi) | Capacity (GPM) | Gallons Per Acre - Based on Water | | | | | | | |
| | | | 1 MPH | 2 MPH | 3 MPH | 4 MPH | 5 MPH | 6 MPH | 8 MPH | |
| AIXR11003VP | 15 | .18 | 53.6 | 26.8 | 17.8 | 13.4 | 10.7 | 8.9 | 6.7 | |
| | 20 | .21 | 62.4 | 31.2 | 20.8 | 15.6 | 12.5 | 10.4 | 7.8 | |
| | 30 | .26 | 77.2 | 38.6 | 25.8 | 19.3 | 15.4 | 12.9 | 9.7 | |
| | 40 | .30 | 88.0 | 44.0 | 29.8 | 22.0 | 17.8 | 14.9 | 11.1 | |
| Tip No. | Pressure (psi) | Capacity (GPM) | Gallons Per 1000 Sq. Ft. - Based on Water | | | | | | | |
| | | | 1 MPH | 2 MPH | 3 MPH | 4 MPH | 5 MPH | 6 MPH | 8 MPH | |
| AIXR11003VP | 15 | .18 | | .61 | .41 | .31 | .24 | | | |
| | 20 | .21 | | .71 | .48 | .36 | .29 | | | |
| | 30 | .26 | | .88 | .59 | .44 | .35 | | | |
| | 40 | .30 | | 1.0 | .68 | .51 | .41 | | | |

Typical Nozzle Assembly Configurations



Nozzle Assemblies consist of "Elbow", "Tee" & "Cross" style nozzles.

Assemblies include: Nozzle Body, Strainer, Seat Washer, AIXR11003VP Nozzles & Nozzle Cap

The AIXR TeeJet Flat Spray Tip offers the benefits of obtaining excellent drift resistance without compromising spray coverage. Tips producing very coarse droplets do minimize drift but do not provide the same surface coverage as tips that produce smaller droplets. In some applications, inadequate coverage decreases the effectiveness of the applied chemicals.

AIXR Features and Benefits

- 110° wide, tapered flat spray angle with air induction technology for better drift management
- Made of 2-piece UHMWPE polymer construction which provides excellent chemical resistance, including acids, as well as exceptional wear life
- Compact size to prevent tip damage
- Removable pre-orifice
- Excellent for systemic products and drift management