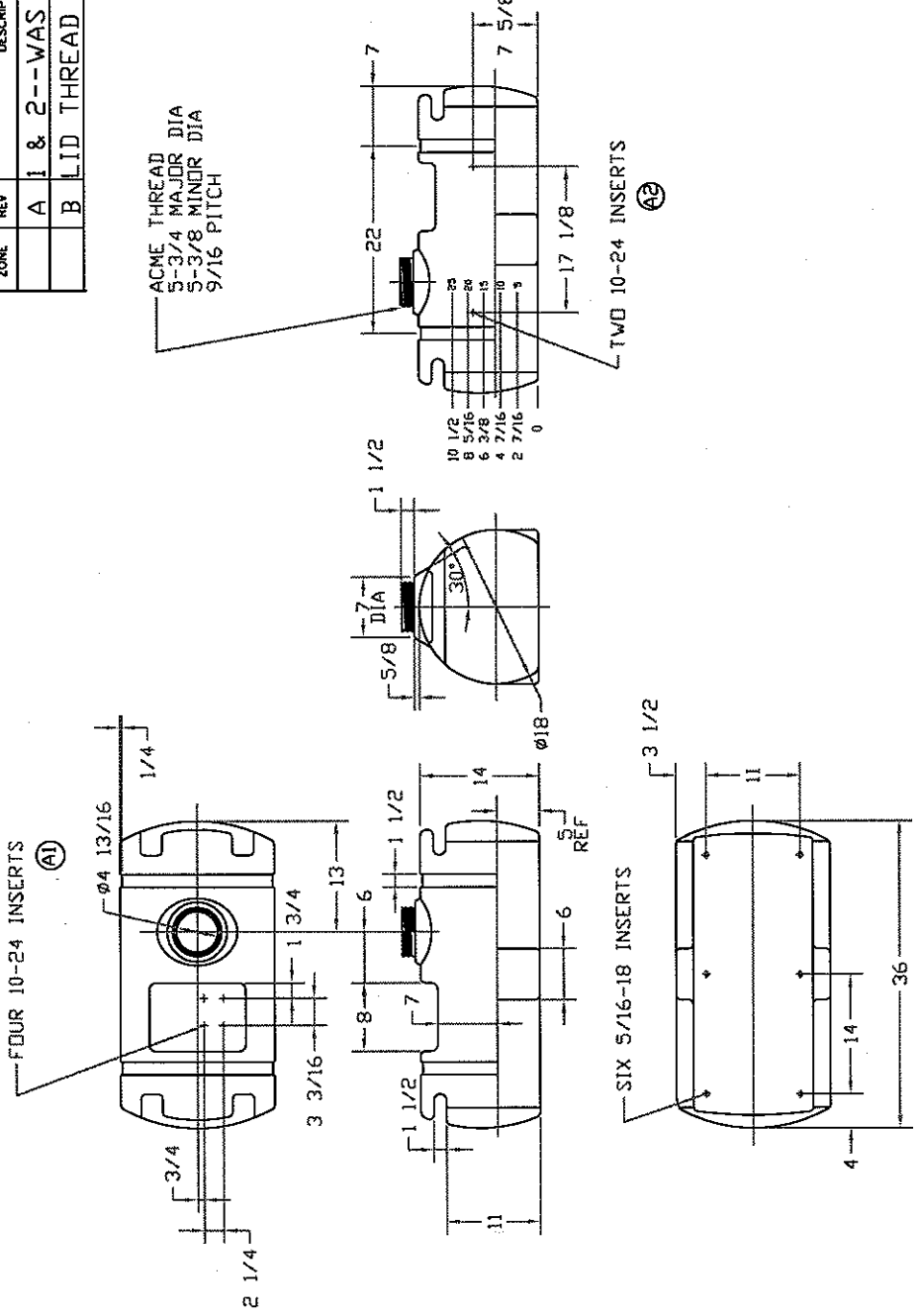


REVISIONS

ZONE	REV	DESCRIPTION	DATE	APPROVED
A	1 & 2	--WAS 1/4-20	09FEB95	
B		LID THREAD REVISED	09FEB00	



NORWESCO
ST. BONIFACIUS, MN

25 GALLON
SPOT SPRAYER TANK

JTP 04NOV94 FSCM NO. DWG NO. REV B

SCALE 1/16 SHEET