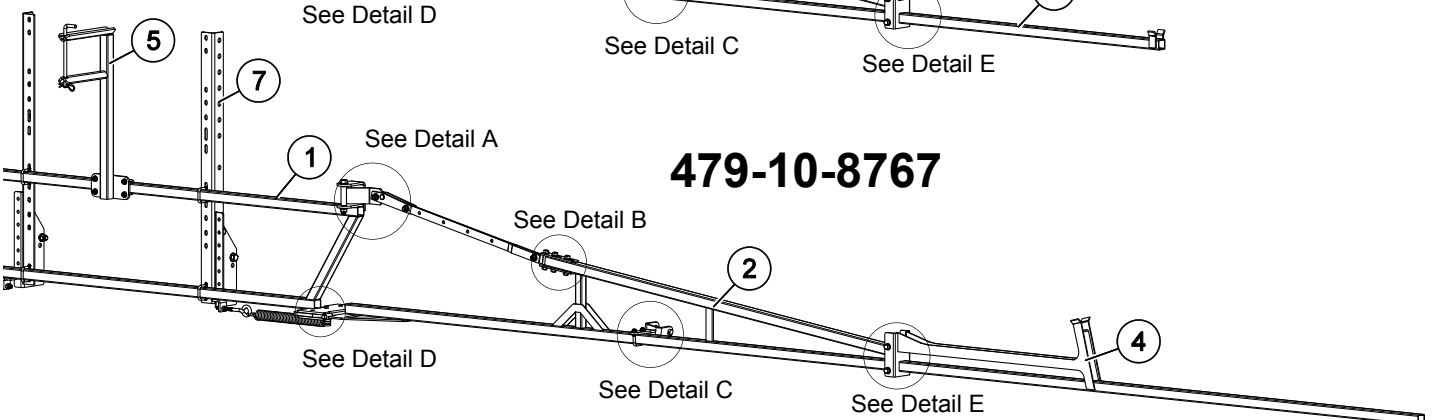
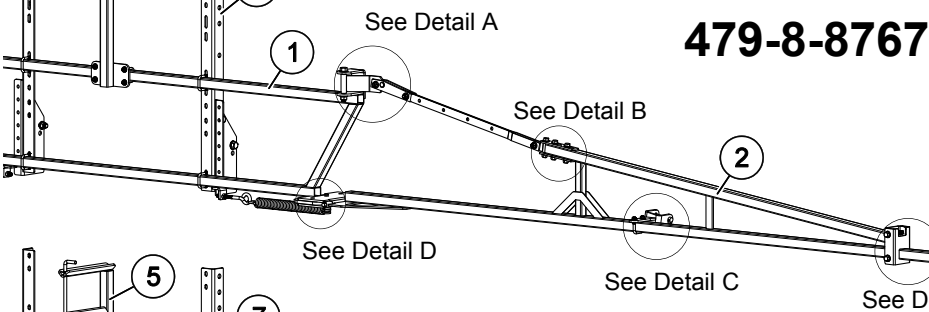
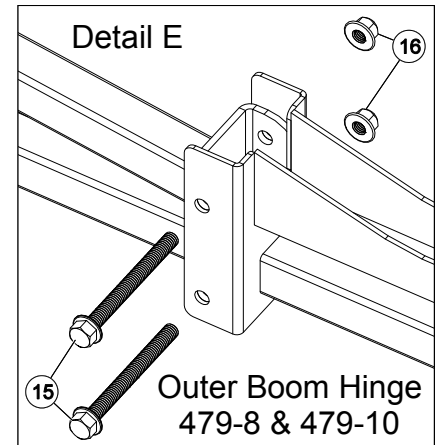
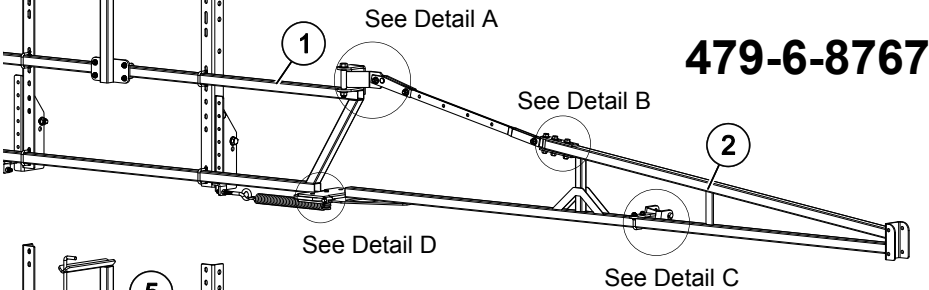
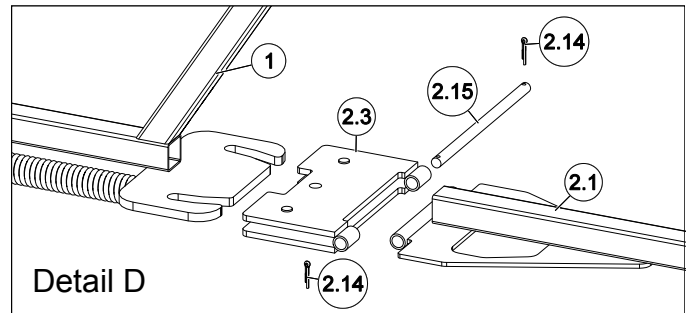
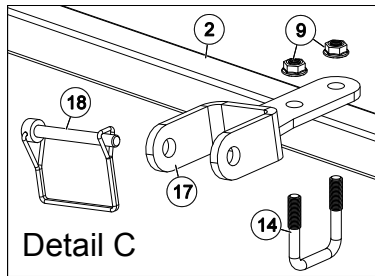
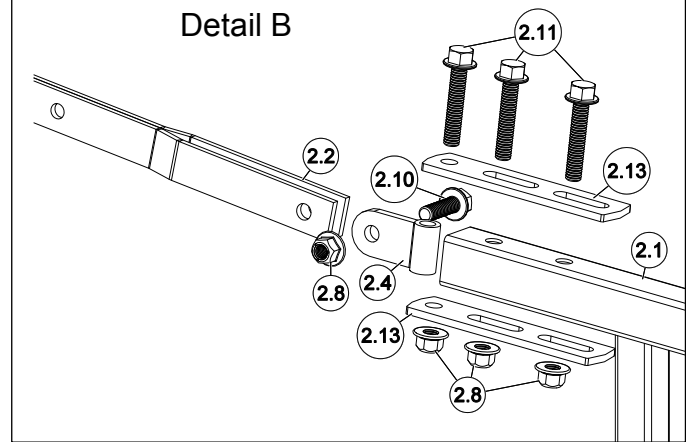
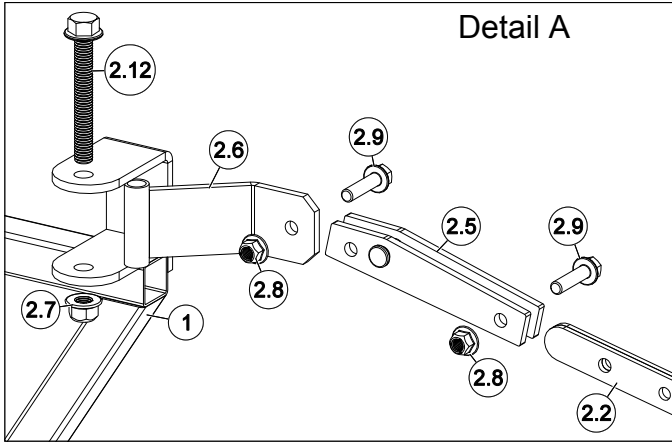
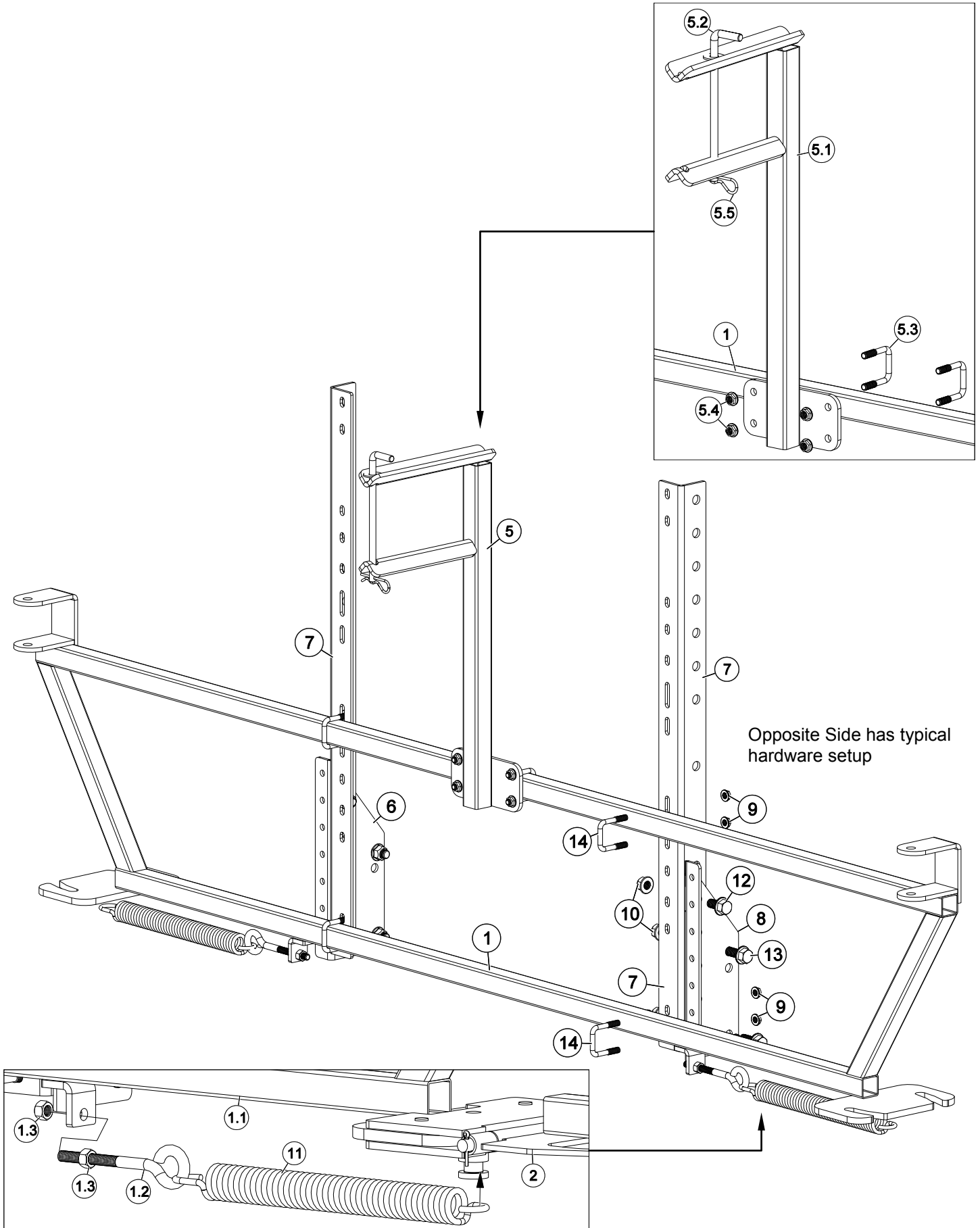


479 Boom Assembly Component Breakdown & Parts List



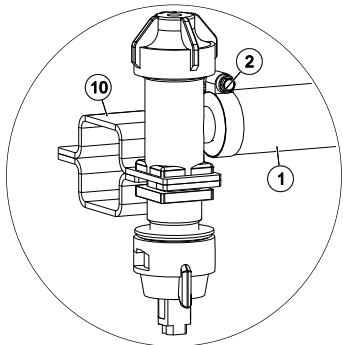
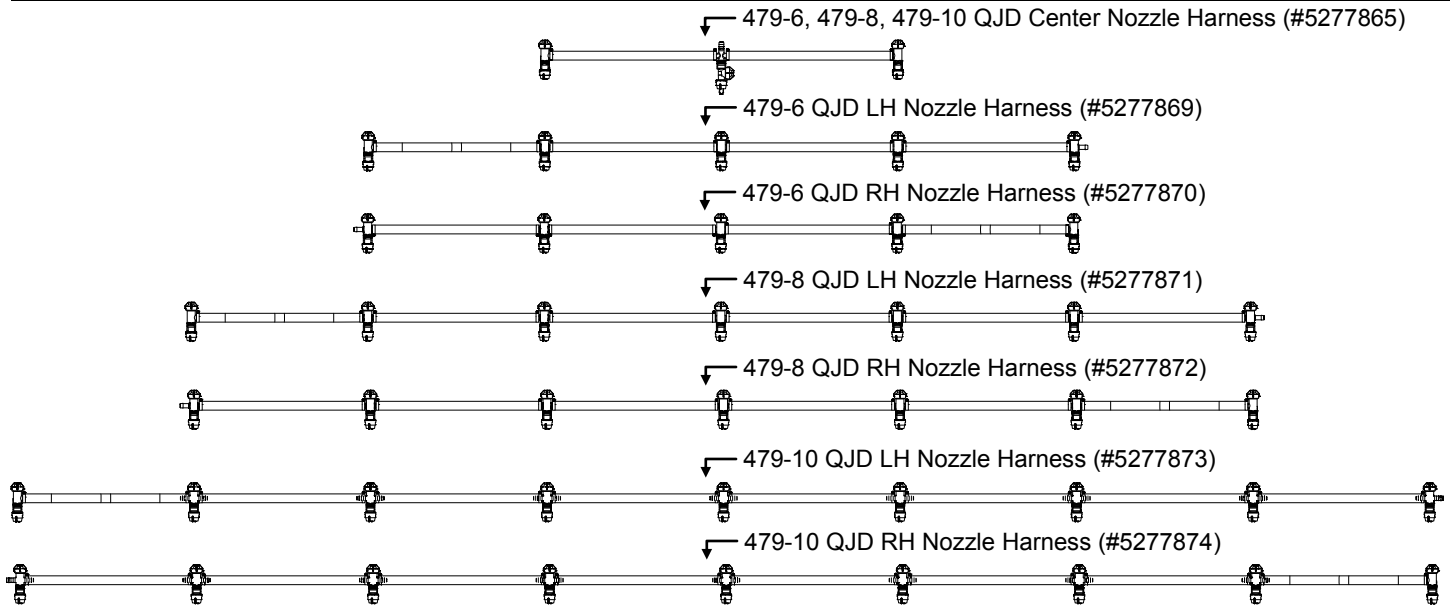
479 Back Rack & Boom Stand Component Breakdown



479 Boom Assembly Component Breakdown & Parts List

Ref. #	Part #	Description	479-6-8767	479-8-8767	479-10-8767
1	5275257	Center Frame Assembly	1	1	1
1.1	5274903	Boom Center Frame Weldment	1	1	1
1.2	5034107	3/8" x 4" Eyebolt, Turned, Zinc-Plated	2	2	2
1.3	5006054	3/8"-16 Hex Nut	4	4	4
2	5275255	1st Outer Boom Assembly	2	2	2
2,1	5274904	First Outer Boom	1	1	1
2,2	5274906	Boom Link Weldment	1	1	1
2,3	5274907	Hinge Plate Weldment	1	1	1
2,4	5274908	Pivot Weldment	1	1	1
2,5	5274909	Pivot Link Weldment	1	1	1
2,6	5274910	Upper Pivot Weldment	1	1	1
2,7	5006365	1/2"-13nc Hex Flanged Toplock Nut Gr. 8	1	1	1
2,8	5006345	3/8"-16nc Hex Flanged Toplock Nut Gr. 5	6	6	6
2,9	5034777	Fling HH Bolt 3/8"-16 X 1 1/2"	2	2	2
2.10	5034592	H.H.C.S. Flanged 3/8"-16nc x 1 1/4" Long	1	1	1
2.11	5034665	H.H.C.S. Flanged 3/8"-16nc x 2" Long	3	3	3
2.12	5034701	H.H.C.S. Flanged 1/2"-13nc x 3 3/4" Long	1	1	1
2.13	5095165	Slide Tab	2	2	2
2.14	5101077	Cotter Pin, 1/8" x 1"	2	2	2
2.15	5101263	Hinge Pin	1	1	1
3	5274905	Outer Boom Weldment (28' Boom)	-	2	-
4	5274913	Outer Boom Weldment (35' Boom)	-	-	2
5	5275258	Pro Series Boom Stand	1	1	1
5.1	5274911	Boom Stand Weldment	1	1	1
5.2	5274961	Lock Pin Weldment	1	1	1
5.3	5034159	Square U-Bolt, 5/16" x 1 5/16" x 1 7/8"	2	2	2
5.4	5006307	5/16"-18 Hex Whiz (Flange) Locknut	4	4	4
5.5	5101065	#211 Hitch Pin Clip (Zinc Plated)	1	1	1
6	5038767	Boom Mount Bracket (LH)	1	1	1
7	5022255	Boom Upright Angle	2	2	2
8	5038766	Boom Mount Bracket (RH)	1	1	1
9	5006307	5/16"-18 Hex Whiz (Flange) Locknut	10	10	10
10	5006365	1/2"-13nc Hex Flanged Toplock Nut Gr. 8	8	8	8
11	5019259	Boom Spring	2	2	2
12	5034690	H.H.C.S. Flanged 1/2"-13nc x 1" Long	4	4	4
13	5034691	H.H.C.S. Flanged 1/2"-13nc x 1 1/4" Long	4	4	4
14	5034159	Square U-Bolt, 5/16" x 1 5/16" x 1 7/8"	5	5	5
15	5034672	H.H.C.S. Flanged 3/8"-16nc x 3 3/4" Long	-	4	4
16	5006345	3/8"-16nc Hex Flanged Toplock Nut Gr. 5	-	4	4
17	5278772	Boom Retainer Weldment	1	1	1
18	5101302	D-Ring Lock Pin, 5/16" Dia. x 2-3/4"	1	1	1
19	5277869	LH Nozzle Harness (479-6-QJD)	1	-	-
20	5277871	LH Nozzle Harness (479-8-QJD)	-	1	-
21	5277873	LH Nozzle Harness (479-10-QJD)	-	-	1
22	5277865	Center Nozzle Harness (479-6, 8 & 10-QJD)	1	1	1
23	5277870	RH Nozzle Harness (479-6-QJD)	1	-	-
24	5277872	RH Nozzle Harness (479-8-QJD)	-	1	-
25	5277874	RH Nozzle Harness (479-10-QJD)	-	-	1

479 Harness Assembly Component Breakdown & Parts List



NOTES:
 All hoses in this boom assembly are part #5020569 (Item 1)
 All hose clamps (2 per hose) are #5051114 (Item 2)

Ref. #	Part #	Description	479-6	479-8	479-10
1	5020569	Hose, 1/2"-1 Brd. x 19 3/8"	10	14	18
2	5051114	Hose Clamp (3/8"-1/2")	20	28	36
3	5056086	Vari-Quick "End" Nozzle Assembly	4	4	4
4	5056089	Vari-Quick "Tee" Nozzle Assembly	8	12	16
5	5056075	Vari-Quick "Cross" Nozzle Assembly	1	1	1
6	5116019	Nozzle Strainer, Red (50 Mesh)	13	17	21
7	5016157	Seat Washer (QJ Caps)	13	17	21
8	AIXR11003VP	Air-Induction XR Flat Spray Tip	13	17	21
9	5046217	QJ Cap Only (Blue)	13	17	21
10	5272165	Vari-Quick Clamp (1 1/4" Sq. Tube)	13	17	21

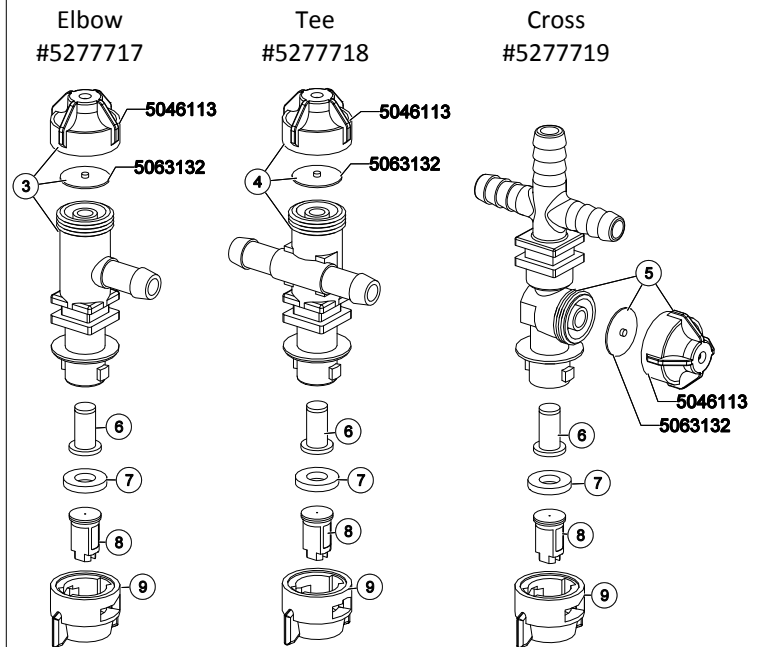
Tip No.	Pressure (psi)	Capacity (GPM)	Gallons Per Acre - Based on Water							
			1 MPH	2 MPH	3 MPH	4 MPH	5 MPH	6 MPH	8 MPH	
AIXR11003VP	15	.18	53.6	26.8	17.8	13.4	10.7	8.9	6.7	
	20	.21	62.4	31.2	20.8	15.6	12.5	10.4	7.8	
	30	.26	77.2	38.6	25.8	19.3	15.4	12.9	9.7	
	40	.30	88.0	44.0	29.8	22.0	17.8	14.9	11.1	
Tip No.	Pressure (psi)	Capacity (GPM)	Gallons Per 1000 Sq. Ft. - Based on Water							
			1 MPH	2 MPH	3 MPH	4 MPH	5 MPH	6 MPH	8 MPH	
AIXR11003VP	15	.18		.61	.41	.31	.24			
	20	.21		.71	.48	.36	.29			
	30	.26		.88	.59	.44	.35			
	40	.30		1.0	.68	.51	.41			

The AIXR TeeJet Flat Spray Tip offers the benefits of obtaining excellent drift resistance without compromising spray coverage. Tips producing very coarse droplets do minimize drift but do not provide the same surface coverage as tips that produce smaller droplets. In some applications, inadequate coverage decreases the effectiveness of the applied chemicals.

AIXR Features and Benefits

- 110° wide, tapered flat spray angle with air induction technology for better drift management
- Made of 2-piece UHMWPE polymer construction which provides excellent chemical resistance, including acids, as well as exceptional wear life
- Compact size to prevent tip damage
- Removable pre-orifice
- Excellent for systemic products and drift management

Typical Nozzle Assembly Configurations



Nozzle Assemblies consist of "Elbow", "Tee" & "Cross" style nozzles.

Assemblies include: Nozzle Body, Strainer, Seat Washer, AIXR11003VP Nozzles & Nozzle Cap