

REVISION HISTORY			
REV	DESCRIPTION	DATE	AUTHOR
D	REDRAWN, SPARGER REV'D	5/3/2001	
E	CORRECTED, WAS 27-1/2	9/23/2002	
F	WAS 72 1/2	12/3/2004	
G	ADDED SHAWNEE, OK	7/22/2009	
H	REDRAWN	7/12/2013	Michael Holden

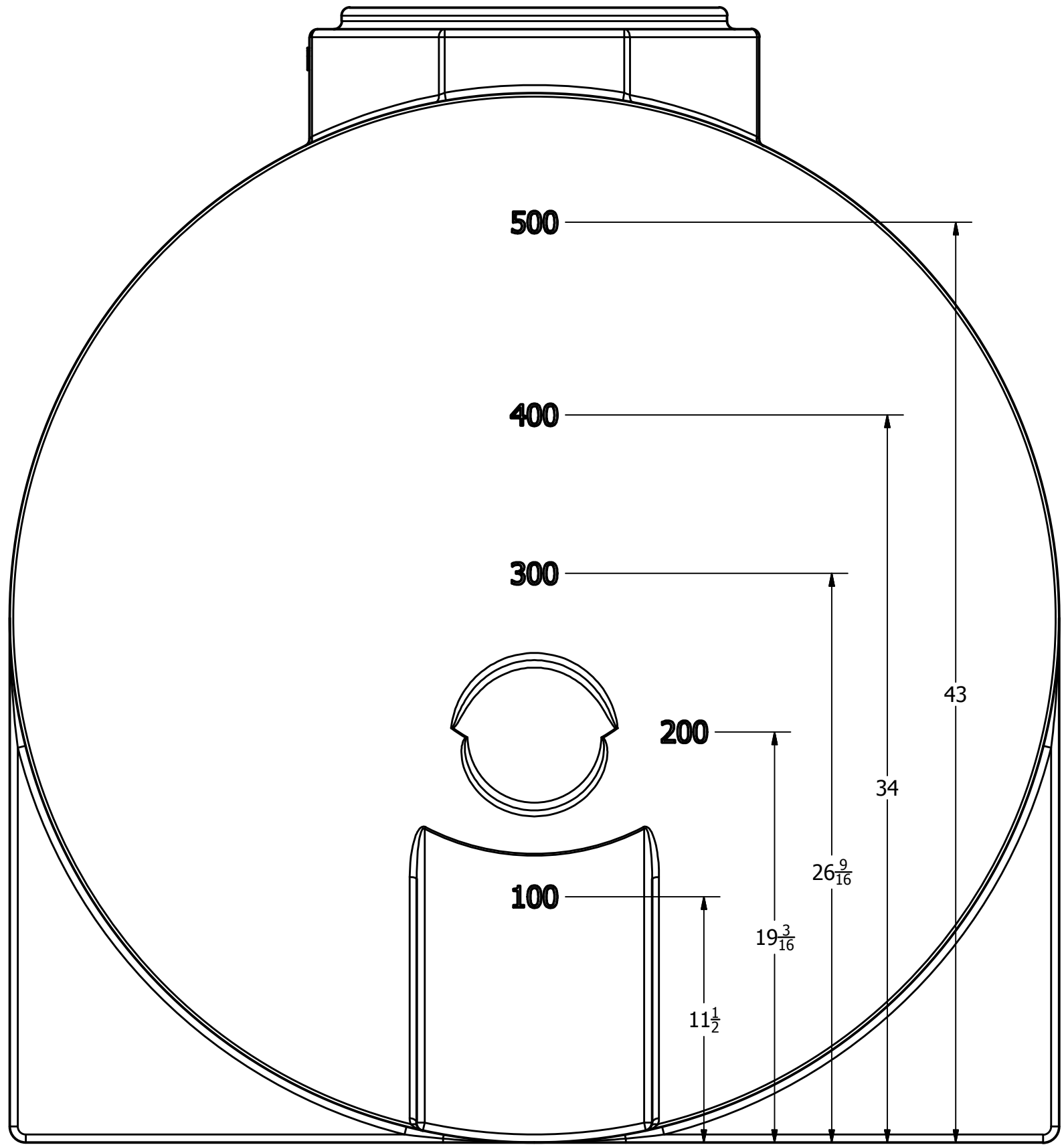
DRAWN	Jerry Paulson	5/3/2001
CHECKED		
QA		
MFG		
APPROVED		


NORWESCO, INC. SAINT BONIFACIUS, MN		
TITLE		
525 GALLON HORIZONTAL TANK		
SIZE	DWG NO	REV
B		H

△ G

FOB GRIFFIN, GA FAIRFIELD, TX & SHAWNEE, OK

SCALE: 1/16	SHEET 1 OF 2
-------------	--------------



DRAWN Jerry Paulson CHECKED QA MFG APPROVED	5/3/2001	 NORWESCO, INC. SAINT BONIFACIUS, MN TITLE <b>525 GALLON HORIZONTAL TANK</b>		
		SIZE <b>B</b>	DWG NO	REV H
		SCALE: 1/16	SHEET 2 OF 2	