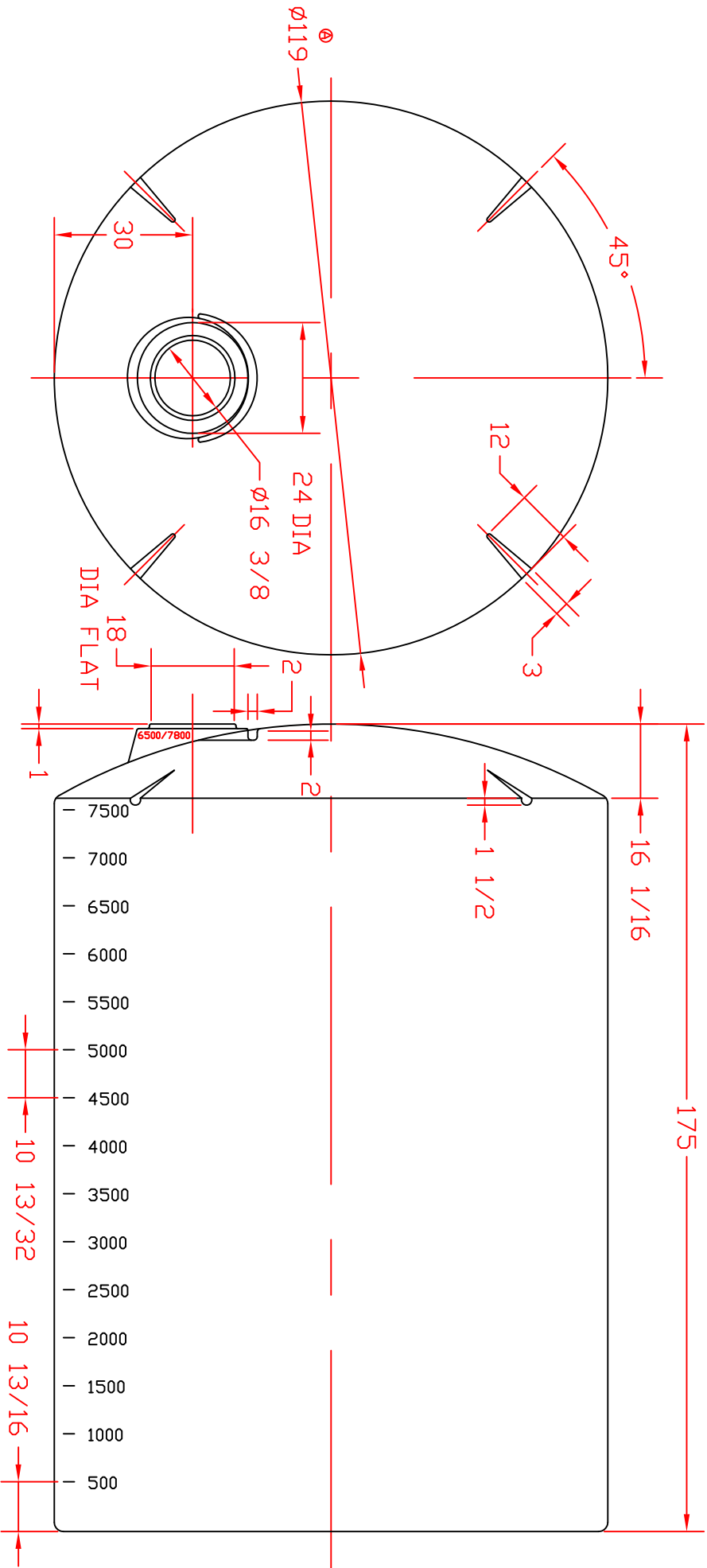


REVISIONS				
ZONE	REV	DESCRIPTION	DATE	APPROVED
	A	UPDATE TO PRODUCTION		08SEP06



		ST. BONIFACIUS, MN	
		7800 GALLON VERTICAL TANK	
JTP	19AUG94	SIZE	FSOM NO.
		B	
SCALE 1/24		DWG NO.	REV
			A
		SHEET	