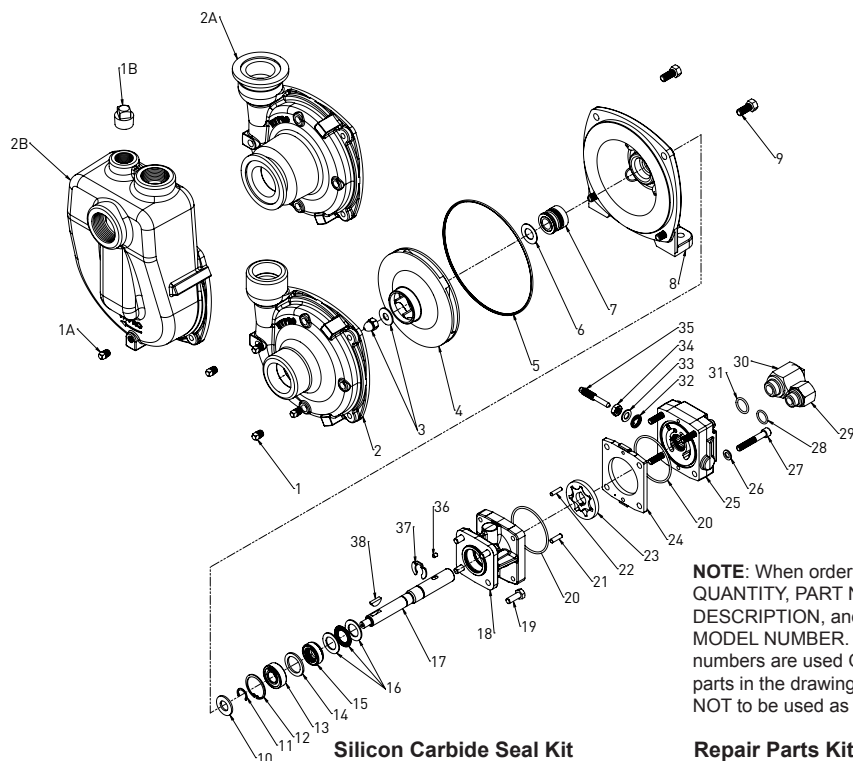


Replacement Parts

The following drawings show the pumps and their replacement parts. **Only genuine replacement parts should be used. Failure to follow this warning can result in damage to property, serious injury or death.** If the pump malfunctions or is defective, it should be sent back to Hypro for service.



Silicon Carbide Seal Kit No. 3430-0589

Contains:
Mechanical seal (Ref. 7) and o-ring (Ref. 5).

NOTE: When ordering parts, give QUANTITY, PART NUMBER, DESCRIPTION, and COMPLETE MODEL NUMBER. Reference numbers are used ONLY to identify parts in the drawing and are NOT to be used as order numbers.

Repair Parts Kit No. 3430-0332

Contains:
One mechanical seal (Ref. 7), one o-ring (Ref. 5) and one rubber gasket (Ref. 6).

9303C(S)-HM1C, 2, 3, 4, 5 & -U and 9303C(S)-SP- HM1, 2, 3, 4, 5

Adapter Kit No. 3430-0187 (HM2 and HM4 Modes Only)

Contains one each:
No. 3360-0021 Pressure Port Adapter
No. 3373-0020 (Size #1)
No. 3373-0021 (Size #2)
No. 3373-0022 (Size #3)
No. 1720-0108 Adapter O-ring and No. 1720-0105 Orifice O-ring

SP Chamber Kit No. 3430-0480SP

Contains: One chamber with wear ring. (Ref. 2B) one o-ring (Ref. 5), one drain vent plug (Ref. 1A) and one vent plug (Ref. 1B).

Parts Kit No. 3430-0881

Contains: One each ball bearing (Ref. 13), motor shaft seal (Ref. 15), thread seal gasket (Ref. 32), and washer (Ref. 33); two each motor housing o-rings (Ref. 20), and port adapter o-rings (Ref. 28 & 31).

Hydraulic Motor Part Nos.

2540-0806C (HM1C Models)
2540-0401C (HM2C Models)
2540-1606C (HM3C Models)
2540-0503C (HM4C Models)
2540-1006C (HM5C Models)

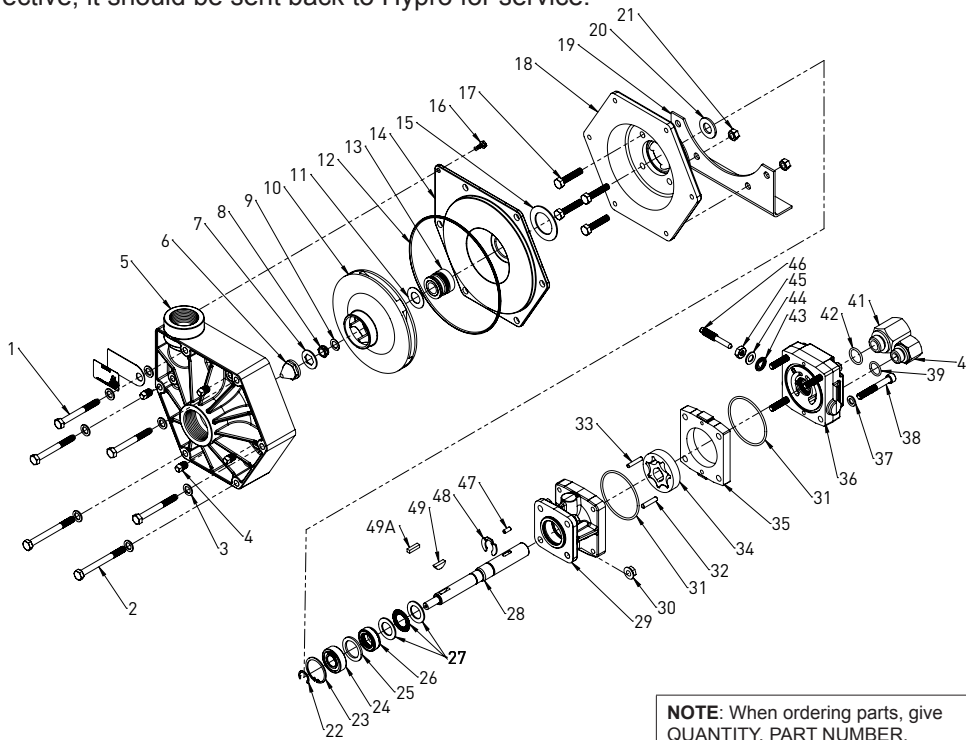
Ref. No.	Qty. Req'd.	Part No.	Description
1	4	2404-0016	Drain/Vent plug
1A	1	2406-0016	Drain/Vent plug
1B	1	2406-0001	Vent Plug
2	1	0150-9000C	Pump Casing (9303C)
2	1	0150-9000S	Pump Casing (9303S)
2A	1	0153-9000C	Pump Casing (Universal Flange Model C-U)
2A	1	0153-9000S	Pump Casing (Universal Flange Model S-U)
2B	1	3430-0480SP	Pump Casing Self Priming Cast Iron
2B	1	0150-9070S	Pump Casing Self Priming Stainless
3	1	3430-0825	Impeller Nut and Washer (Stainless and Cast Iron)
4	1	0401-9100P	Impeller (Nylon std. 9303C)
4	1	0402-9100P	Impeller (Polypropylene Optional) (Std. 9303S)
5	1	3430-0332	O-ring
6	1	3430-0332	Gasket
7	1	3430-0332	Mechanical Seal (Viton/Ceramic) (Std. 9303C)
7	1	3430-0589	Mechanical Seal (Viton/Silicon Carbide) (Std. 9303S)
8	1	0750-9300C	Mounting Flange (9303 C)
8	1	0756-9300S	Mounting Flange (9303 S)
9	4	2210-0020	Hex Head Cap Screw (9303C)
9	4	2210-0125	Hex Head Cap Screw (9303S)
10	1	1410-0056	Slinger Ring
11	1	1810-0014	Snap ring
12	1	1820-0013	Retaining Ring
13	1	3430-0881	Ball Bearing
14	1	1410-0154	Seal Spacer
15	1	3430-0881	Lip Seal
16	1	2029-0014	Thrust Bearing Assembly
17	1	3430-0850	Shaft (HM2/HM4)
17	1	3430-0852	Shaft (HM1/HM5)
17	1	3430-0855	Shaft (HM3)
18	1	0150-2540C	Motor Body Non-Case Drain (Includes needle bearing)
18	1	0150-2542C	Motor Body Case Drain SAE -4 (Includes needle bearing)
19	4	2210-0005	Hex Head Cap Screw
20	1	3430-0881	O-ring
21	1	1600-0097	Dowel Pin (HM2/HM4)
21	1	1600-0095	Dowel Pin (HM1)

21	1	1600-0098	Dowel Pin (HM5)
21	1	1600-0096	Dowel Pin (HM3)
22	1	1600-0086	Dowel Pin (HM2/HM4)
22	1	1600-0084	Dowel Pin (HM1)
22	1	1600-0099	Dowel Pin (HM5)
22	1	1600-0085	Dowel Pin (HM3)
23	1	3900-0022	Gerotor (HM1)
23	1	3900-0023	Gerotor (HM2)
23	1	3900-0024	Gerotor (HM3)
23	1	3900-0025	Gerotor (HM4)
23	1	3900-0048	Gerotor (HM5)
24	1	0720-2601	Gerotor Housing (HM2)
24	1	0720-2602	Gerotor Housing (HM4)
24	1	0720-2603	Gerotor Housing (HM1)
24	1	0720-2604	Gerotor Housing (HM5)
24	1	0720-2606	Gerotor Housing (HM3)
25	1	0254-2500C2	Motor End Plate -8, -10 SAE, Bypass (Includes needle bearing)
25	1	0254-2500C3	Motor End Plate -8, -10 SAE, No Bypass (Includes needle bearing)
26	4	2270-0039	Washer
27	4	2220-0045	Cap Screw (HM2, HM4)
27	4	2220-0021	Cap Screw (HM1)
27	4	2220-0032	Cap Screw (HM5)
27	4	2220-0044	Cap Screw (HM3)
28	1	3430-0881	O-ring
29	1	3360-0021A	Pressure Port Adapter (Includes o-ring)
30	1	3320-0051A	Tank Port Adapter (Includes o-ring)
31	1	3430-0881	O-ring
32	1	3430-0881	Gasket
33	1	3430-0881	Washer
34	1	2250-0038	Lock Nut
35	1	3220-0029	Bypass Screw
36	1	1610-0032	Roll Pin (HM2/HM4)
36	1	1610-0031	Roll Pin (HM1/HM5)
36	1	1610-0055	Roll Pin(HM3)
37	1	1810-0026	Snap ring
38	1	1610-0012	Woodruff Key (9303C)
38	1	04432-SHW	Woodruff Key (9303S)

Replacement Parts

The following drawings show the pumps and their replacement parts. **Only genuine replacement parts should be used. Failure to follow this warning can result in damage to property, serious injury or death.** If the pump malfunctions or is defective, it should be sent back to Hypro for service.

9303P



Silicon Seal Parts Kit # 3430-0593
Contains one each:
mechanical seal (Ref. 13) and o-ring (Ref. 12).

Repair Parts Kit No. 3430-0445
Contains: One o-ring (Ref. 12), one rubber gasket (Ref. 11), one mechanical seal (Ref. 13), one gasket (Ref. 7) and one washer (Ref. 9).

NOTE: When ordering parts, give QUANTITY, PART NUMBER, DESCRIPTION, and COMPLETE MODEL NUMBER. Reference number are used ONLY to identify part in the drawing and are NOT to be used as order numbers.

Hydraulic Motor Part Nos.
2540-0810C (HM1C Models)
2540-0403C (HM2C Models)
2540-1609C (HM3C Models)
2540-0505C (HM4C Models)
2540-1012C (HM5C Models)

Adapter Kit No. 3430-0187 (HM2 and HM4 Models Only):
Contains one each:
No. 3360-0021 Pressure Port Adapter
No. 3373-0020 (Size #1)
No. 3373-0021 (Size #2)
No. 3373-0022 (Size #3)
No. 1720-0108 Adapter O-ring
No. 1720-0105 Orifice O-ring (Qty. 3).

Parts Kit No. 3430-0881
Contains: One each ball bearing (Ref. 24), motor shaft seal (Ref. 26), thread seal gasket (Ref. 43), and washer (Ref. 44); two each motor housing o-rings (Ref. 31), and port adapter o-rings (Ref. 39 & 42).

1	4	2210-0087	Hex Head Cap Screw
2	2	2210-0016	Hex Head Cap Screw (Base Only)
3	6	2270-0041	Washer
4	4	2406-0016	Pipe Plug
5	1	0700-9000P	Pump Casing
6	1	2250-0052	Impeller Nut
7	1	3430-0445	Gasket (Viton)
8	1	2250-0051	Jam Nut
9	1	3430-0445	Washer
10	1	0402-9100P	Impeller (Polypropylene)
11	1	3430-0445	Gasket
12	1	3430-0445	O-ring
13	1	3430-0445	Mechanical Seal (Viton/Ceramic) (Std. 9303P)
13	1	3430-0593	Mechanical Seal (Viton/Silicon Carbide) (Optional)
14	1	0750-9300P	Cover
15	1	1410-0082	Spacer
16	1	2210-0088	Screw
17	4	2210-0021	Hex Head Cap Screw
18	1	0750-9006C	Intermediate Flange
19	1	1510-0063	Base Plate
20	1	1410-0056	Slinger Ring
21	2	2250-0008	Hex Nut
22	1	1810-0014	Snap Ring
23	1	1810-0013	Retaining Ring
24	1	3430-0881	Ball Bearing
25	1	1410-0154	Seal Spacer
26	1	3430-0881	Lip Seal
27	1	2029-0014	Thrust Bearing Assembly
28	1	3430-0853	Shaft (HM2/HM4)
28	1	3430-0854	Shaft (HM1/HM5)
28	1	3430-0856	Shaft (HM3)
29	1	0150-2540C	Motor Body Non-Case Drain (Includes needle bearing)
29	1	0150-2542C	Motor Body Case Drain SAE -4 (Includes needle bearing)
30	4	2250-0060	Flange Nut
31	1	3430-0881	O-ring
32	1	1600-0097	Dowel Pin (HM2/HM4)
32	1	1600-0095	Dowel Pin (HM1)
32	1	1600-0098	Dowel Pin (HM5)

32	1	1600-0096	Dowel Pin (HM3)
33	1	1600-0086	Dowel Pin (HM2/HM4)
33	1	1600-0084	Dowel Pin (HM1)
33	1	1600-0099	Dowel Pin (HM5)
33	1	1600-0085	Dowel Pin (HM3)
34	1	3900-0022	Gerotor (HM1)
34	1	3900-0023	Gerotor (HM2)
34	1	3900-0024	Gerotor (HM3)
34	1	3900-0025	Gerotor (HM4)
34	1	3900-0048	Gerotor (HM5)
35	1	0720-2601	Gerotor Housing (HM2)
35	1	0720-2602	Gerotor Housing (HM4)
35	1	0720-2603	Gerotor Housing (HM1)
35	1	0720-2604	Gerotor Housing (HM5)
35	1	0720-2606	Gerotor Housing (HM3)
36	1	0254-2500C2	Motor End Plate -8,-10 SAE, Bypass (Includes needle bearing)
36	1	0254-2500C3	Motor End Plate -8,-10 SAE, No Bypass (Includes needle bearing)
37	4	2270-0039	Washer
38	4	2220-0045	Cap Screw (HM2, HM4)
38	4	2220-0021	Cap Screw (HM1)
38	4	2220-0032	Cap Screw (HM5)
38	4	2220-0044	Cap Screw (HM3)
39	1	3430-0881	O-ring
40	1	3360-0021A	Pressure Port Adapter (Includes o-ring)
41	1	3320-0051A	Tank Port Adapter (Includes o-ring)
42	1	3430-0881	O-ring
43	1	3430-0881	Gasket
44	1	3430-0881	Washer
45	1	2250-0038	Lock Nut
46	1	3220-0029	Bypass Screw
47	1	1610-0032	Roll Pin (HM2/HM4)
47	1	1610-0031	Roll Pin (HM1/HM5)
47	1	1610-0055	Roll Pin (HM3)
48	1	1810-0026	Snap ring
49	1	04432-SHW	Woodruff Key (9303P all except HM3)
49A	1	1610-0053	Square Key (9303P-HM3 only)