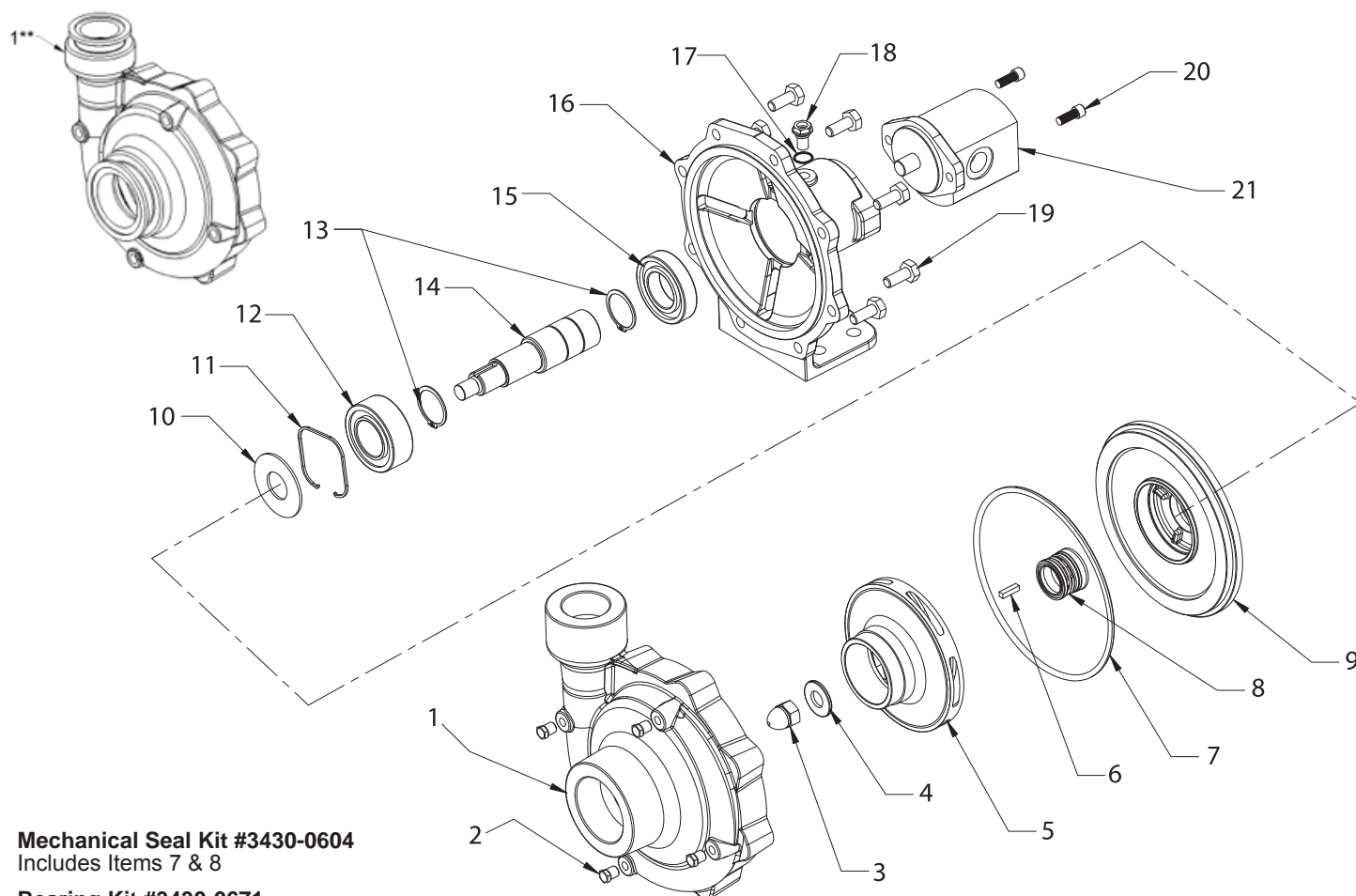


Replacement Parts

The following drawings show the pumps and their replacement parts. **Only genuine replacement parts should be used. Failure to follow this warning can result in damage to property, serious injury or death.** If the pump malfunctions or is defective, it should be sent back to Hypro for service.

9307C: 9307C-GM10, 9307C-GM12, 9307C-GM10-U, 9307C-GM12-U



Mechanical Seal Kit #3430-0604

Includes Items 7 & 8

Bearing Kit #3430-0671

Includes Items 10, 11, 12, 13 & 15

Impeller Hardware Kit #3430-0612

Includes Items 3, 4 & 6

Hydraulic Motor Seal Replacement #3430-0611

For seal replacement in Motor #2500-0036 (GM10)

Hydraulic Motor Seal Replacement #3430-0616

For seal replacement in Motor #2500-0046 (GM12)

NOTE: When ordering parts, give QUANTITY, PART NUMBER, DESCRIPTION, and COMPLETE MODEL NUMBER. Reference number are used ONLY to identify part in the drawing and are NOT to be used as order numbers.

Ref. No.	Qty. Req'd.	Part No.	Description
1*	1	0150-9300C	Pump Casing
1**	1	0151-9300C	Pump Casing (Universal Flange)
2	4	2406-0039	Pipe Plug
3	1	2253-0010	Acorn Nut
4	1	2270-0094	Washer
5	1	0400-9300S	Impeller
6	1	1610-0058	Key
7	1	1721-0208	O-Ring
8	1	2120-0043	Mechanical Seal
9	1	0755-9300C	Seal Flange
10	1	2270-0093	Slinger

Ref. No.	Qty. Req'd.	Part No.	Description
11	1	1820-0040	Retaining Ring
12	1	2005-0006	Double Row Ball Bearing
13	2	1810-0001	Retaining Ring
14	1	3430-0857	Shaft Assembly
15	1	2007-0063	Ball Bearing
16	2	0757-9300C	Mounting Flange
17	1	1720-0209	O-Ring
18	1	2300-0040	Plug
19	8	2210-0131	Bolt
20	2	2210-0026	Bolt
21	1	2500-0036	Hydraulic Motor (GM10)
21	1	2500-0046	Hydraulic Motor (GM12)

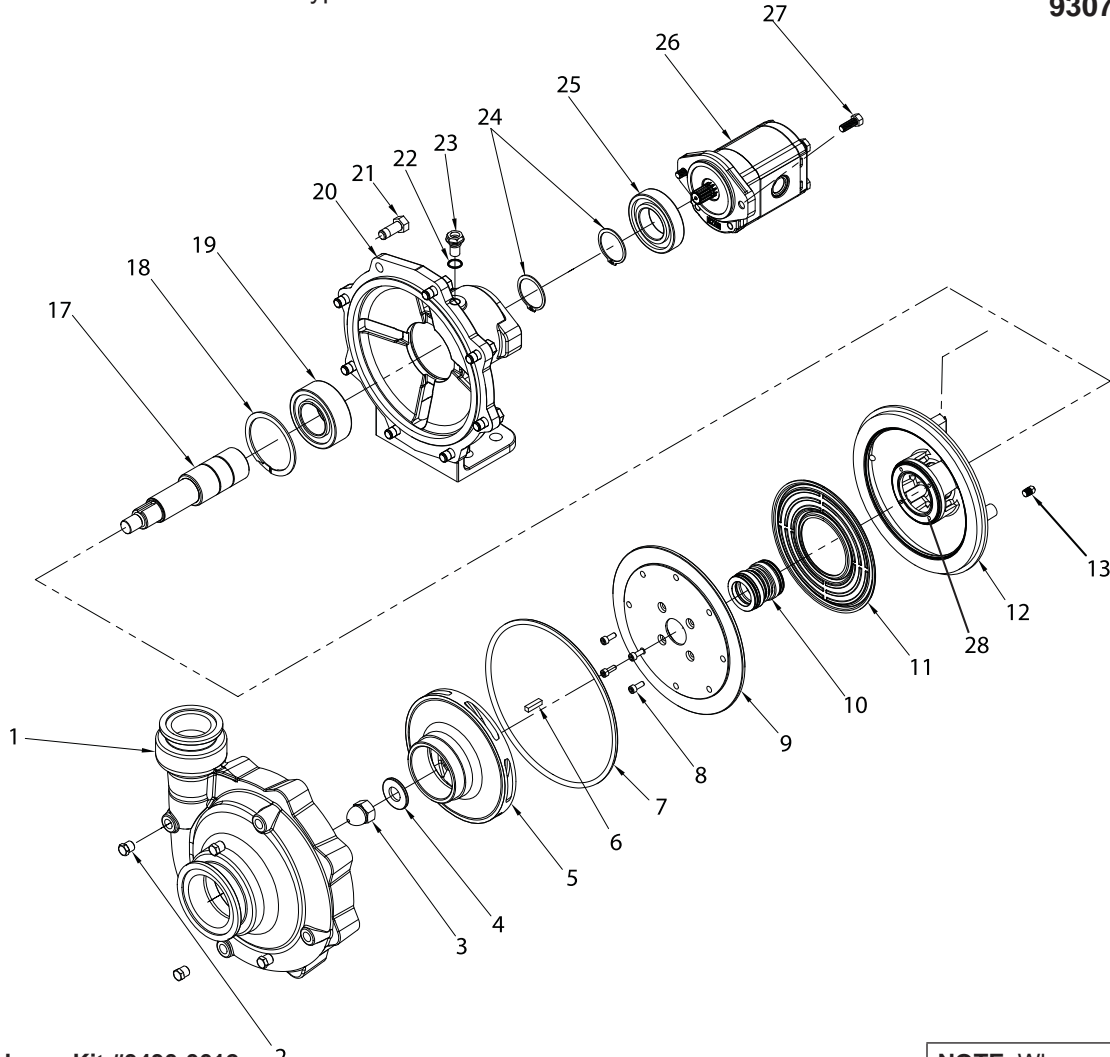
* Includes a Stainless Steel Wear Ring and 4 Pipe Plugs (Ref. No. 2)

** Used in -U "Universal Flange" models, includes Stainless Steel Wear Ring and 4 Pipe Plugs (Ref. No. 2).

Replacement Parts

The following drawings show the pumps and their replacement parts. **Only genuine replacement parts should be used. Failure to follow this warning can result in damage to property, serious injury or death.** If the pump malfunctions or is defective, it should be sent back to Hypro for service.

9307CWS-GM12



Impeller Hardware Kit #3430-0612 2
Includes Items 3, 4 & 6

Hydraulic Motor Seal Replacement #3430-0616
For seal replacement in Motor #2500-0286 (GM12)

Repair Kit #3430-0813
Includes Items 7, 10, 11, 14, 16, 19, 25, 28 and (parts not shown) #1410-0134 Wear ring, #2160-0096 Wet seal fluid, #3010-0252 Tool-mech. seal, and #3010-0253 Tool-front plate.

NOTE: When ordering parts, give QUANTITY, PART NUMBER, DESCRIPTION, and COMPLETE MODEL NUMBER. Reference number are used ONLY to identify part in the drawing and are NOT to be used as order numbers.

Ref. No.	Qty. Req'd.	Part No.	Description
1	1	0151-9300C	Pump Casing (Universal Flange)
2	4	2406-0039	Pipe Plug
3	1	2253-0010	Acorn Nut
4	1	2270-0094	Washer
5	1	0401-9307	Impellers
6	1	1610-0058	Key
7	1	1721-0208	O-Ring
8	1	2220-0124	Screw
9	1	0751-9307	Front Chamber Plate
10	1	2120-0061	Mechanical Seal
11	1	2535-0012	Membrane
12	1	0752-9307A	Back Chamber Plate
13	2	2406-0016	Pipe Plug
17	1	0502-9307	Shaft Assembly

Ref. No.	Qty. Req'd.	Part No.	Description
18	1	1820-0040	Retaining Ring
19	1	2005-0006	Bearing (dual-layer)
20	1	0757-9300C	Mounting Flange
21	8	2210-0131	Bolt
22	1	1720-0209	O-Ring
23	1	2300-0040	Plug
24	2	1810-0001	Retaining Ring
25	1	2007-0063	Bearing
26	1	2500-0286	Hydraulic Motor
27	2	2210-0026	Bolt
28	1	1721-0228	O-Ring