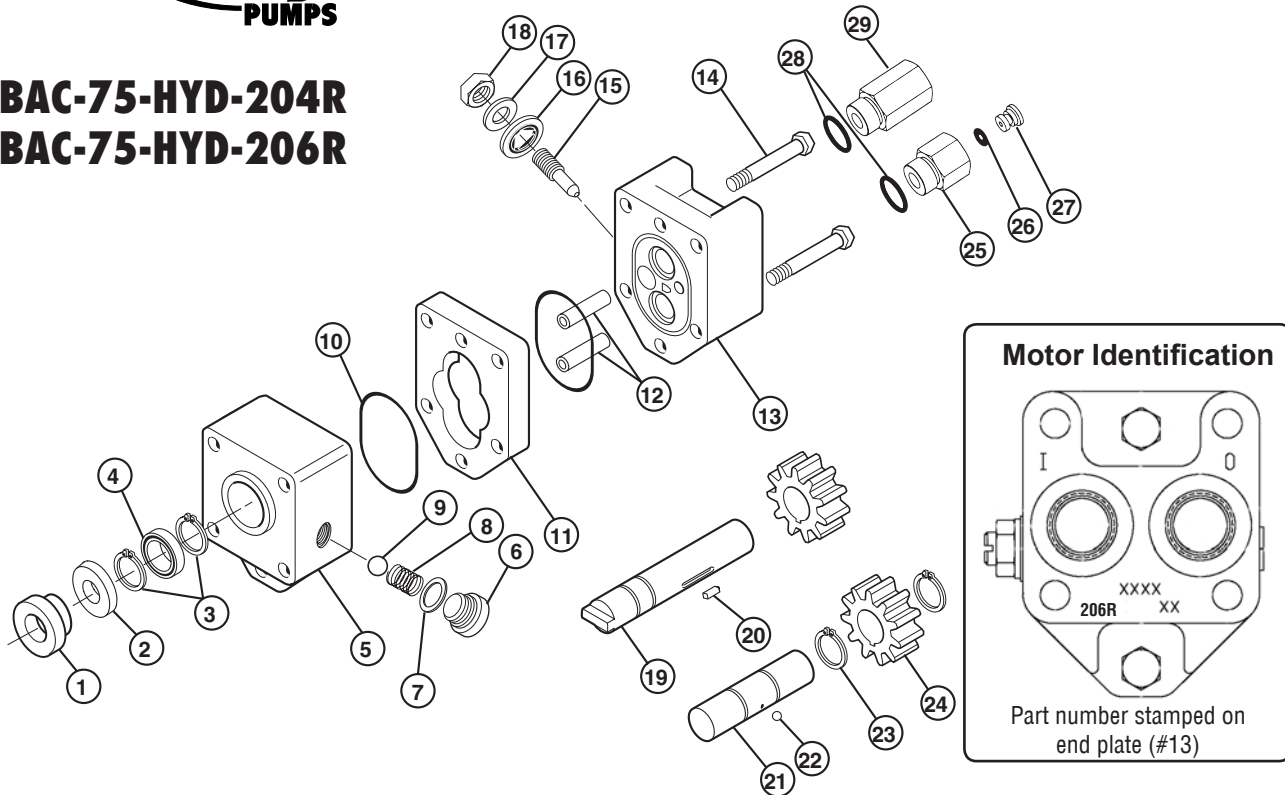




HYDRAULIC MOTOR PARTS LIST

BAC-75-HYD-204R
BAC-75-HYD-206R



REF. #	MODEL 204R	MODEL 206R	DESCRIPTION	REQUIRED
1	S200	S200	Seal support spacer	1
2 ^①	40153	40153	Seal cartridge	1
3	41941	41941	Snap ring, bearing	2
4	41961	41961	Ball bearing, 7/16" I.D.	1
5	41733	41733	Drive plate	1
6	42041	42041	Valve cap, coasting check	1
7 ^①	42044	42044	O-ring, coasting check	1
8	42042	42042	Spring, coasting check	1
9	42043	42043	Ball, coasting check	1
10 ^①	41850	41850	O-ring, housing seal	2
11	41720	41721	Gear housing	1
12	41800	41801	Dowel pin, housing	2
13	41743	41743	End plate	1
14	41900	41900	Cap screw, 1/4" N.C. hex head	2
15	42010	42010	Adjusting screw, needle valve	1
16 ^①	42030	42030	Thread seal, 3/8", needle valve	1
17	42040	42040	Washer, flat steel, needle valve	1
18	40960	40960	Nut, 3/8" N.C. jam, needle valve	1
19	41761	41764	Drive shaft	1
20	41920	41921	Dowel pin, drive shaft	1
21	41970	41971	Idler shaft	1
22	41990	41990	Ball, idler shaft	1
23	41980	41980	Retaining ring, idler gear	2
24	41750	41751	Gear	2
25	41455	41455	Adapter body, #8 SAE male x 1/2" NPT	1
26	41448	41448	O-ring, orifice insert (use with 41456 insert)	1
27	41457	41456	Insert, restrictor orifice (use with 41455 body)	1
28	41875	41875	O-ring, #8 SAE male fitting	2
29	41441	41441	Reverse check, #8 SAE male x 1/2" NPT	1
①	41374	41374	Repair Kit, RK-BAC-75-HYD-L	--