



DURA PRODUCTS

Technology with Lasting Value

Transfer Pump Manual



DURA-PUMP™ 4000 Series

The **DURA-PUMP™ 4000 Series** (DP-4000) Transfer Pump is available as a 12 Volt DC or 110 Volt AC, non-UL rated, self-priming, positive-displacement diaphragm pump. It is designed for non-flammable fluid transfer and recirculation. The 12 Volt DC pump includes a 20' power cord with alligator clips. The 110 Volt AC pump includes a 6' 6" power cord with 3-prong plug. Both pumps include an inline fuse and feature a 1-inch NPT inlet and a 1-inch NPT discharge port.

The information outlined by this manual is general and is not meant to be absolute. The DP-4000 pump is intended for intermittent duty. Be certain the pump materials will be compatible with the fluid being pumped. If unsure of the chemical compatibility with a given elastomer or the motor's intended design, please call DURA PRODUCTS for assistance.

FEATURES

- Self-Priming, positive displacement
- Chemically-resistant materials of construction
- Ability to handle high to low viscosity liquids

Materials of Construction

Upper Housing	Polypropylene
Bottom Housing	Polypropylene
Valves (DP-4000)	Stainless Steel
O-ring	Viton® or EPDM*
Diaphragm (1)	Santoprene™
Cartridge	Polyphenylene Sulfide (PPS)

* Not in fluid path

CAUTION

CAUTION: DO NOT use to pump flammable liquids. Never operate the pump in an explosive environment. Arcing from the motor brushes or excessive heat from an improperly cycled motor may cause an explosion.

CAUTION: DO NOT assume fluid compatibility. If the fluid is improperly matched to the pump's elastomers, a leak may occur.

CAUTION: DO NOT operate the pump at pressures which cause the motor to exceed the amperes rating. DO NOT operate the pump at voltages which exceed the voltage rating. Operating the pump beyond the indicated ratings may cause the motor to overheat.

FLUSHING

If pump is to not be used for an extended period of time, it is suggested to flush any chemicals from the pump with fresh water. Flushing the pump will ensure a long, problem-free life and easy start-up when the pump is needed again.

NOTE: DO NOT flush with petroleum-based chemicals. Use only water to flush the DP-4000 Chemical Transfer pump.

NOTE: Be sure to properly dispose of the contaminated rinse water.

DP-4000 USAGE INSTRUCTIONS

1. Be sure to use thread sealant for any and all connections made to the pump.
2. Connect appropriate size and length of tubing for current application.
3. Ensure all connections are tight.
4. Ensure the power switch on the pump is in the OFF position.
5. Connect the ends of power wires to the appropriate connections to provide power to the system.

NOTE: The RED wire is the positive (+) 12 Volt and/or 110 Volt connection. The BLACK wire is the negative (-) 12 Volt and/or 110 Volt connection.

12 Volt and 110 Volt BATTERIES CAN PRESENT A HAZARDOUS, EXPLOSIVE ENVIRONMENT. BEFORE MAKING ANY BATTERY CONNECTIONS, ASSURE PUMP SWITCH IS IN THE OFF POSITION. ASSURE PUMP'S BATTERY CONNECTIONS ARE TIGHT BEFORE OPERATING PUMP

6. Once the system is ready, turn the power switch to the ON position.
7. Operate pump until no longer needed.
8. When complete, be sure to turn the power switch to the OFF position.

MANUFACTURER'S TWO (2) YEAR LIMITED PRORATED WARRANTY

DURA PRODUCTS, INC. (DURA PRODUCTS) warrants its Pump to be free of defects in materials and workmanship under normal use and service for a period of two years (24 months) from the original manufacture date. Manufacturer's sole obligation under the foregoing warranty will be limited to either, at Manufacturer's option, replacing or repairing defective Goods (subject to limitations hereinafter provided) or refunding the prorated purchase price for such Goods theretofore paid by the Buyer, and Buyer's exclusive remedy for breach of any such warranties will be enforcement of such obligations of Manufacturer.

Should the pump be deemed by Dura Products Inc to be non-repairable it will be replaced, or a credit provided for the cost calculated by the following formula: The number of months since the original manufacture date is divided by 24; the result is multiplied by the invoiced price for the pump at the time of purchase. The replacement cost does not include the cost of shipping and any taxes. Warranty claims must be submitted directly to DURA PRODUCTS and include a full description that clearly states the area(s) of claimed failure. If Manufacturer so requests the return of the Goods, the Goods will be redelivered to Manufacturer in accordance with Manufacturer's instructions F.O.B. Factory. The repaired or replaced pump carries no further expressed or implied warranty.

The remedies contained herein shall constitute the sole recourse of the Buyer against Manufacturer for breach of warranty. IN NO EVENT SHALL MANUFACTURING BE LIABLE FOR CONSEQUENTIAL DAMAGES, NOR SHALL MANUFACTURER'S LIABILITY ON ANY CLAIM FOR DAMAGES ARISING OUT OF THE MANUFACTURE, SALE, DELIVERY OR USE OF THE GOODS EXCEED THE PURCHASE PRICE OF THE GOODS. The foregoing warranties will not extend to Goods subjected to misuse, neglect, accident or improper installation or maintenance, or which have been altered or repaired by anyone other than Manufacturer or its authorized representative.

Buyer agrees to indemnify, defend and hold harmless Manufacturer, its directors, officers, employees, agents, contractors, representatives, shareholders and affiliates against any loss, damage or liability (including legal costs on a full indemnity basis) which may be sustained or incurred as a consequence of Buyer's use or misuse of Goods, whether the use of misuse is attributable to Buyer or to some other person using Goods with or without Buyer's permission. THE FOREGOING WARRANTIES ARE EXCLUSIVE AND IN LIEU OF ALL OTHER WARRANTIES OF MERCHANTABILITY, FITNESS FOR PURPOSE OF ANY OTHER TYPE, WHETHER EXPRESS OR IMPLIED. No person may vary the foregoing warranties and remedies except in writing signed by a duly authorized officer of Manufacturer. Warranties or remedies that differ from the foregoing shall not otherwise be binding on Manufacturer. The Buyer's acceptance of delivery of the Goods constitutes acceptance of the foregoing warranties and remedies, and all conditions and limitations thereof.

The validity, construction and enforcement of, and the remedies under, this limited warranty shall be governed by the laws of the State of Indiana. Jurisdiction and venue shall properly lie exclusively in the State of Indiana, in and for Hamilton County, Indiana, with respect to any legal proceedings arising from this limited, prorated warranty or use of the products.

Written claim and pumps should be sent to:

DURA PRODUCTS, Inc.
6660 East 266th Street, Suite 300, Arcadia, IN 46030
Tel: 855-502-3872 (DURA)

REPAIRS AND RETURNS

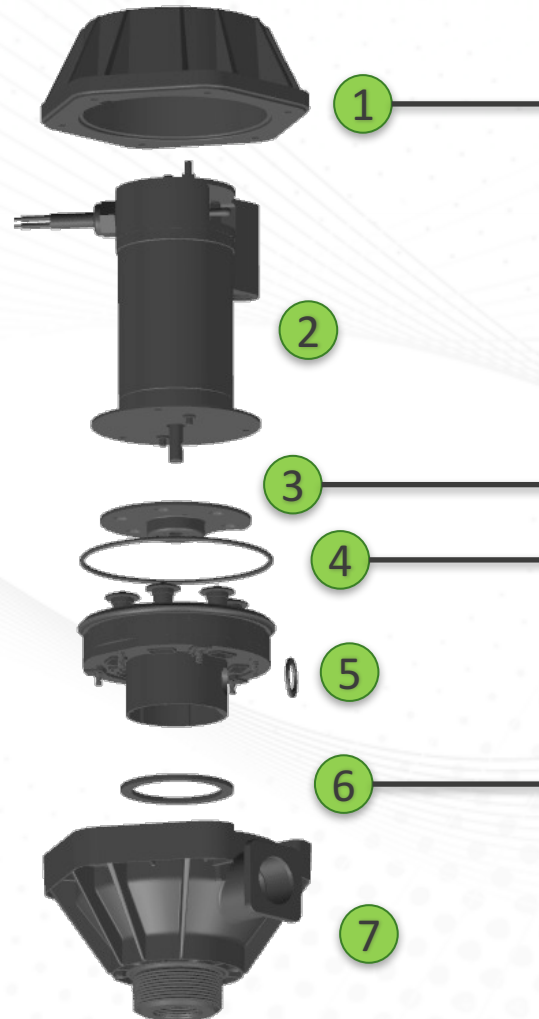
For returns, warranty returns and repairs, call toll free 855-502-3872 Monday through Friday, 8 am to 4 pm to get proper shipping instructions.



DURA PRODUCTS

Technology with Lasting Value

- 1 Upper Housing
DP-P4002A
- 2 12 Volt or 110 Volt Motor
- 3 Drive Plate
- 4 O-Ring
DP-P4004AO (*EPDM or Viton*)
- 5 Cartridge
- 6 Bottom Gasket
DP-P4001AG (*EPDM or Viton*)
- 7 Bottom Housing
DP-H4001A (*EPDM or Viton*)



12 Volt or 110 Volt
Motor Assembly
(#1 - #3)
DP-P4012-M 12 Volt
DP-P4015-M 110 Volt

Cartridge Kit
(#4 - #6)
DP-P4017A
(*EPDM or Viton*)