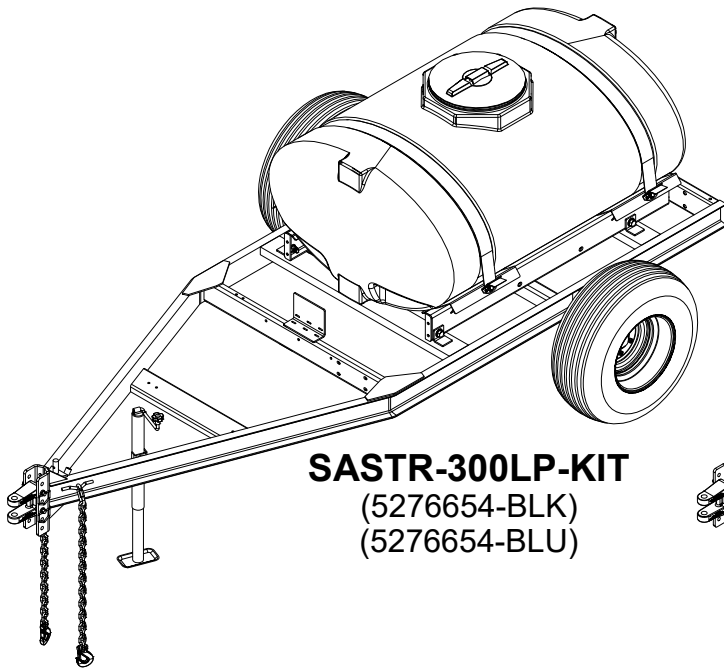
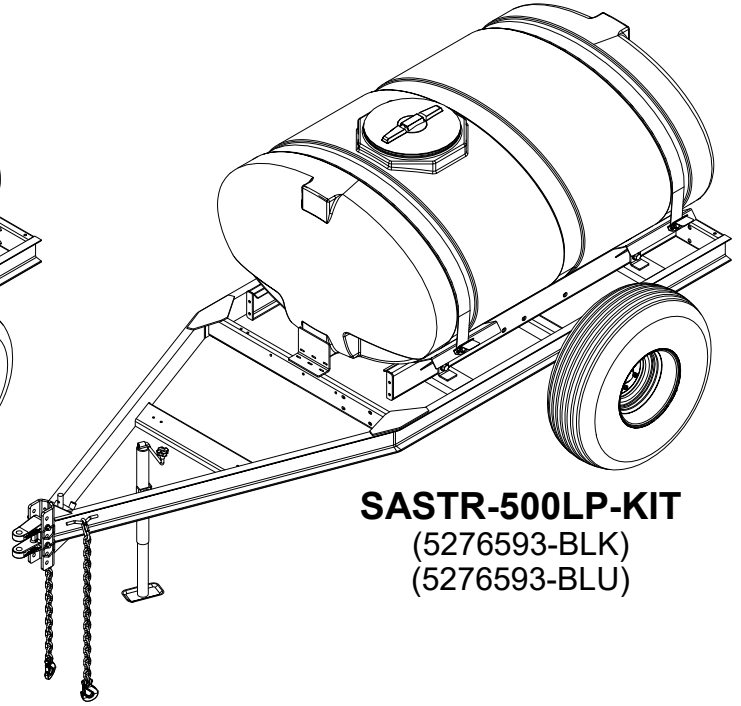


OWNER'S MANUAL

Low Profile Trailer Sprayers (300/500 Gallon Elliptical Tank, Saddle & Trailer)



SASTR-300LP-KIT
(5276654-BLK)
(5276654-BLU)



SASTR-500LP-KIT
(5276593-BLK)
(5276593-BLU)

General Information

Thank You and Congratulations on purchasing your new trailer sprayer. The purpose of this manual is to assist you in operating and maintaining your trailer sprayer.

Please read it carefully, as it furnishes information which will help you achieve years of trouble-free operation. All units can be custom equipped to meet all your spraying needs.



WARNING: To reduce the risk of injury, the user must read and understand the operator's manual before using this product.



WARNING: Cancer and Reproductive Harm
www.P65Warnings.ca.gov

Any Questions, Comments or Problems: Call your nearest AG SPRAY Location and speak with one of our Friendly Technical Support Staff.



[5194696 (11/19)]

BAKERSFIELD, CA 877-724-2236	COLUMBUS, NE 800-274-1025	DOTHAN, AL 800-227-4098	FARGO, ND 701-280-2862	HOPKINSVILLE, KY 800-637-7172	VISIT US ONLINE @ WWW.AGSPRAY.COM
MANKATO, MN 507-388-6295	NEWTON, KS 800-394-7662	PASCO, WA 800-634-2026	TEMPE, AZ 877-974-7166		

Table of Contents

3 - 6	Safety Information
7	Sprayer Boom Controls
8-11	Calibrating Sprayer
12	Calibrating Sprayer: Boomless Nozzle Application Charts
13	Calibrating Sprayer: Broadcast & Turf Application Chart 20” Spacing
14	Operating Instructions
15-16	Maintenance Instruction
16	Winterizing Sprayer
17-38	Component Assembly Breakdowns
17-18	300 Gallon Trailer Assembly Breakdown - Base Unit
19-21	368 Series Boom Assembly
22-25	479 Series Boom Assembly
26-28	2300 Series Boom Assembly
29	EC BoomBuster Boom Assembly Longhorn Boomless Boom Assembly
30	Hamilton Boomless Nozzle Assembly Oklahoma Special Boomless Add-On for Boom Assembly
31	SAS-409 Deluxe Handgun Kit Assembly SAS-411 Heavy Duty Handgun Kit Assembly
32	923 Agitator Assembly
32-33	Manual Boom Control Plumbing Assembly
34	Electric Boom Control Plumbing Assemblies
35-37	7560 Pump Assembly
38	Pump Options
39	Warranty

Important Operation & Safety Information

WARNING

Read and understand **this owner's manual** completely before using the sprayer.
Read each **chemical label's instructions** before handling the chemical.

Improper use of the sprayer or handling of chemicals could result in serious injury or illness for the operator or nearby persons/animals, or cause damage to the environment.

LISTED BELOW is a summary of safety information of particular importance. See individual sections of this owner's manual for more details.

----- **BEFORE YOU BEGIN** -----



Please read and understand this manual and its instructions and warnings completely before operating the sprayer.

- **Be aware of all safety guidelines, warnings and cautions including those of the tractor manufacturer**
- **Read and understand the chemical manufacturer's labels, warnings and instructions**
- **Know and fulfill all state pesticide applicator license requirements**
- **Familiarize yourself and other operators with the sprayer's components and how all parts are operated**

----- **General Safety Guidelines** -----



Every year many unnecessary accidents occur do to improper equipment handling and a disregard for safety precautions. You, the operator, can avoid accidents by observing the precautions in this section.

- The operator should be a responsible adult. Do not allow persons to operate this sprayer until they have displayed a thorough understanding of sprayer safety precautions and operational use!
- All operators must also fulfill state pesticide applicator license requirements
- Never attempt to operate this sprayer when under the influence of alcohol or drugs.
- The best defense against accidents is a careful and responsible operator. If your sprayer is equipped with a PTO drive shaft, it is very important to take the proper safety precautions
- Failure to keep body parts or clothing clear of the sprayer's PTO drive shaft could result in serious injury or death. Ag Spray assumes no liability for any possible injury
- Never step over or work near the PTO drive shaft during operation
- When transporting the sprayer on public roads, always follow state and local regulations regarding safety and transportation requirements

Important Operation & Safety Information

Before Operation



- Carefully study and understand the owner's manual
- Read and follow chemical manufacturer's labels, warnings and instructions! A material safety data sheet (MSDS) should be provided by the chemical manufacturer
- To avoid injury from chemical hazards, wear the proper protective clothing. Each chemical manufacturer's clothing requirements are listed under the "Personal Protective Equipment (PPE)" section in the chemical instructions
- Never exceed your tractor's load rating
- Do not wear loose-fitting clothing which may catch in moving parts
- Give the sprayer a visual inspection for any worn parts, loose bolts or other visible problems and make any needed repairs
- Make sure the area is clear of any people or obstructions before using the sprayer
- Before adding chemicals, have all operators practice operating the sprayer (clean water only) and it's attachments until all operators are completely capable of safe operation

BEFORE SEASONAL USE



- **CHECK and TEST sprayer with water before adding chemical.** Temperature change can cause material fitting expansion/contraction. Serious injury could result from chemical leaks
- **REPLACE** any worn or frayed hoses. Hose failure can result in serious damage
- **INSPECT** pressure gauge. Insure the needle rests at zero when all pressure is relieved in the spray system. Failure to have a properly functioning pressure gauge can result in miss applications of chemical

DURING OPERATION



- Always be aware of bystanders, particularly children! Always look before moving the sprayer or engaging the PTO
- Never leave running equipment unattended!
- Keep hands and body parts clear of all moving parts, especially the tractor PTO
- Be aware of dangerous terrain such as holes, slopes, drop-offs, banks, rocks and hidden hazards. Operate the tractor and sprayer up and down slopes, not across
- When operating on inclines, it is especially important that your tractor is equipped with Roll Over Protection System (ROPS)
- No passengers are allowed on or in the tractor or sprayer at anytime
- Allow for sprayer boom length when making turns
- Remember that accidents can even happen to seasoned operators. Always take your time and follow all safety instructions

Important Operation & Safety Information

General Chemical Safety



- **READ and FOLLOW** all chemical label's instructions and warnings
- **AVOID** inhaling, ingesting or coming into contact with any chemicals
- **KNOW** applicable licensing and regulatory requirements for the chemical you plan to use
- **KNOW** emergency procedures before handling chemicals
- **WEAR** protective clothing, eye protection and chemical resistant gloves when filling, using and cleaning the sprayer. Wear additional protective gear, such as facemask or apron, as recommended on the chemical label
- **EXERCISE EXTRA CAUTION** around children or pets. Pesticides are especially toxic to them. Keep sprayer and spray materials away from them at all times
- **DO NOT MIX OR POUR** chemicals in an enclosed, unvented area
- **DO NOT USE** flammable or corrosive chemicals in the sprayer
- **FLUSH** the sprayer with clean water after every use **AND** before switching chemicals
- **STORE** pesticides in a correctly labeled container and in a secure location
- **MONITOR** the health of operators frequently exposed to pesticides, as recommended by the chemical label or local/federal regulations

Chemical Application Safety



- **INSPECT** and **PREPARE** sprayer before each use as directed
- **DO NOT TURN ON POWER** to sprayer until ready to spray in order to avoid unintended spray release
- **MAKE SURE NOZZLES ARE ORIENTED IN THE PROPER DIRECTION** before starting the sprayer. As incorrectly positioned nozzle may spray chemicals on you or others
- **KEEP sprayer and spray materials away from children and pets.** Pesticides can be especially toxic to children and animals

Pump Safety Precautions



- Never pump flammable or explosive fluids such as gasoline, fuel oil, kerosene, etc.
- Never pump acids (i.e. acid fertilizer) with super rollers. For acid fertilizer, Hypro recommends the Silver Series castings with Teflon rollers
- Never run the pump dry! Never pump faster than, or above, the maximum recommended speed and pressure
- Never pump liquids at temperatures higher than the recommended maximum temperature (140° F/60° C). Do not exceed this temperature
- Before servicing your pump, disconnect the power, release all pressure and drain all liquids

Important Operation & Safety Information

-----Following Operation-----



- Following operation, it is very important that you completely rinse the entire sprayer and all of its components of all chemical residue
- Following operation, stop the tractor unit, set the brakes, disengage PTO shaft, shut off the engine and remove the ignition key
- Park the sprayer on a hard level surface
- Store the sprayer away from human and livestock activity
- Do not permit children to play on or around sprayer

Sprayer Boom Controls

Familiarize yourself with the sprayer controls before use. Your sprayer may be equipped with manual or electric (optional) boom controls.

If your sprayer is equipped with the TeeJet 17-L manual selector valve:

First, determine what boom sections you will be using while spraying.

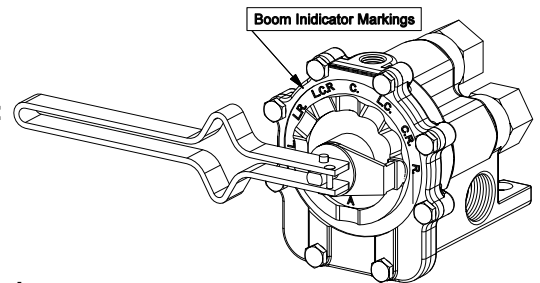
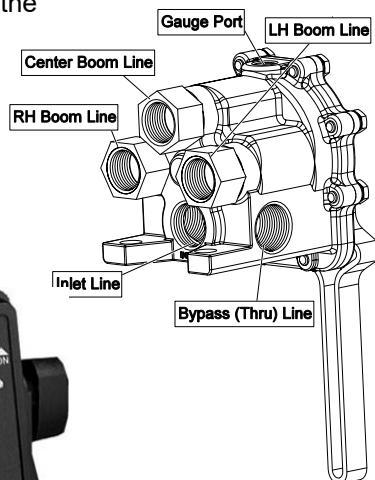
With the selector handle in the downward position, rotate handle until the dial is nestled in the desired spray combination.

The spray booms will be **OFF** when the handle is in the **down or deactivated position**.

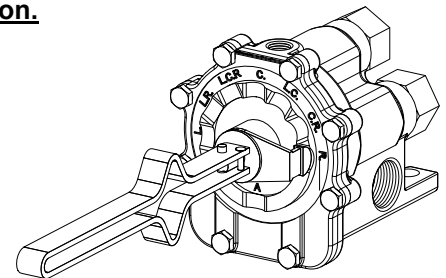
The booms will be **ON** when the handle is **pointed straight out or activated position**.

When you are ready to start spraying, pull the selector handle out to activate the booms.

To shut off the booms, push the selector handle down.



RH Boom is 'Selected'



RH Boom is 'Activated' or Boom "ON" Position

- ◆ Use to open any of three boom sections lines in any desired combination
- ◆ Raise lever to open, lower lever to close the valve without changing the indexed position
- ◆ Aluminum construction with stainless steel and plastic internal parts for maximum corrosion resistance
- ◆ 3/4" NPT Inlet/Outlet, 3 boom outlet and accessory outlet
- ◆ 1/4" NPT Gauge Port

If your sprayer is equipped with a TeeJet 744 Electric Controller:

Determine the best location for the 744A Sprayer Control in the vehicle cab according to the following guidelines:

- Pressure gauge should be readily visible
- Switches should be within easy reach
- Controller bracket should rest on a flat surface
- 12 volt DC power source must be accessible (maximum draw 10 amps)

Pressure Gauge: The tubing for the pressure gauge is supplied as part of the wiring harness. To avoid chemical leakage into the vehicle cab, the tube coupler should be installed outside of the vehicle cab. If a gauge isolator is used with the system, it should be installed in place of the coupler, also outside of the vehicle cab.

744 Input Power Cable

The Input Power Cable consists of three wires. The **red wire** should be connected to a 12 volt power supply within the cab of the vehicle (i.e., ignition switch). The **blue wire** should be connected to the headlight system of the tractor. This can be accomplished by connecting the blue wire to the auxiliary terminal of the headlight switch or by splicing into the wire connected to the headlight. The **black wire** is the negative lead and should be connected to a good chassis ground.

Calibrating the Sprayer

When spraying with a boom, the sprayer must be calibrated to ensure proper spray coverage and to combat over-application or under application. Before calibrating the sprayer, it is important to familiarize yourself with the operating instructions. The calibration process is simplified when broken down into the following three steps:

1. Determine the speed of the tractor
2. Determine the nozzle size and use the calibration chart to find the correct pressure setting
3. Set the pressure accordingly using the pressure regulating valve

Note: All calibration must be done with clean water only!

Note: it is helpful for future references to record the exact RPM and gear that was used to attain the desired speed

Tractor RPM Tractor Gear = Speed

_____ _____ _____

1. Determining the Speed

It is important to determine what speed the tractor will be traveling at, while spraying. While some tractors have speedometers, it is still recommended that speed is calculated for all tractors for accuracy purposes. To determine the speed follow these steps:

1. Set the tractor throttle to operate between 75%-100% of the tractor's RPM range. This will allow the pump to operate at full volume
2. Measure a 200 foot or 300 foot distance on a field or a surface similar to where you will be spraying
3. Drive the tractor and sprayer (tank half-full is optimal) across the measured distance at a constant rate of speed. There should be no changes in speed while you are measuring the time. This should be a comfortable speed for spraying
4. Have someone measure the amount of time (in seconds) it takes to travel the measured distance
5. Your speed can be found by entering your data into the equation below or by consulting the speed table

$$\text{Speed (MPH)} = (\text{Distance (FT)} \times 60) / (\text{Time (Seconds)} \times 88)$$

$$\text{_____ (MPH)} = \text{_____ (FT)} \times 60 / \text{_____ (SEC)} \times 88$$

Note: When calculating tractor speed be sure to select a gear that allows the tractor to operate between 75%-100% of the tractor's RPM range. This will allow the pump to operate at full volume. Selecting a higher gear will not allow the pump to work efficiently.

Speed Chart		
Speed in M.P.H. (Miles Per Hour)	Time Required in seconds to travel a distance of	
	200 Ft.	300 Ft.
1.0	136	205
1.5	91	136
2.0	68	102
2.5	55	82
3.0	45	68
3.5	39	58
4.0	34	51
4.5	30	45
5.0	27	41
5.5	25	37
6.0	23	34
6.5	21	31
7.0	19	29
8.0	17	26
9.0	15	23
10.0	14	20

Calibrating the Sprayer

2. Determine the nozzle size and use the calibration chart

Always follow the chemical manufacturers label recommendations for application rate (GPA). There are five things you will need to know to be able to figure your nozzle size and pressure setting. They are:

1. Application rate — GPA or GAL/1000 Sq. Ft.
2. Speed — MPH
3. Width — Nozzle Spacing (in inches) for broadcast boom spraying
— Spray width (in inches) for boomless nozzles
4. Spraying Pressure — Follow chemical label recommendations for pressure/droplet size requirements
5. Solution weight and conversion factor (CF)

Spraying Solutions Other than Water

Since all the tabulations are based on spraying water, which weighs 8.34 lbs. per USA gallon, conversion factors must be used when spraying solutions which are heavier or lighter than water. To determine the proper size nozzle for the solution to be sprayed, first multiply the desired GPM or GPA of solution by the rate conversion factor. Then use the new converted GPM or GPA rate to select the proper size nozzle and pressure.

Example: Desired application rate is 20 GPA of 28% Nitrogen. Determine the correct nozzle size as follows:

GPA (Solution) x Conversion Factor = Converted GPA

20 GPA (28% x 1.13 = 22.6 GPA (Water), the applicator should choose a nozzle size that will supply 22.6 GPA of water at the desired pressure.

See the appropriate **Application Chart** for your boom spraying nozzle or boomless nozzle. Using the tractor speed, nozzle width or spray width, nozzle size being used and desired gallons per acre (GPA), find the pressure (psi) necessary to achieve the desired GPA.

Weight of Solution	Specific Gravity	Conversion Factors
7.0 lbs. per gallon	.84	.92
8.0 lbs. per gallon	.96	.98
8.934 lbs. per gallon (Water)	1.00	1.00
9.0 lbs. per gallon	1.08	1.04
10.0 lbs. per gallon	1.20	1.10
10.65 lbs. per gallon (28% Nitrogen)	1.28	1.13
11.0 lbs. per gallon	1.32	1.15
12.0 lbs. per gallon	1.44	1.20
14.0 lbs. per gallon	1.68	1.30

Example for traditional boom sprayer: Assume you have found your tractor speed to be 6 MPH, your nozzle spacing is 20", and you want to spray 15 GPA and your sprayer has blue AIXR11003VP nozzles. Upon looking at the application chart, you will find that you should set the sprayer's pressure at about 40 psi in order to apply about 15 GPA.

Example for boomless sprayer: Assume you have found your tractor speed to be 5 MPH, your nozzle will cover 216 inches (18 Ft) mounted 48" height above the target spray zone, and you will want to spray 15 GPA and your sprayer has yellow XT024 nozzles. Upon looking at the application chart, you will find that you should set the sprayer's pressure at about 50 psi in order to apply about 15 GPA.

Useful Formulas

$$\text{GPM (Per Nozzle)} = \frac{\text{GPA} \times \text{MPH} \times \text{W}}{5,940}$$

$$\text{GPM (Per Nozzle)} = \frac{\text{GAL}/1000 \text{ Sq. Ft.} \times \text{MPH} \times \text{W}}{136}$$

- GPM** — Gallons Per Minute
- GPA** — Gallons Per Acre
- GAL/1000 Sq. Ft.**— Gallons Per 1000 Square Feet
- MPH** — Miles Per Hour
- W** — Nozzle Spacing (in inches) for broadcast spraying
— Spray width (in inches) for single nozzle, Band spraying or Boomless spraying

Calibrating the Sprayer

3. Adjusting the Sprayer Pressure

Once you have found the correct pressure (psi) setting, you must now adjust the sprayer to that pressure setting. Before you adjust the sprayer's pressure, it is important to follow these steps:

For sprayers equipped with Roller Pump:

1. Make sure the sprayer tank is at least half full of clean water and the tank supply shutoff valve to the pump is open
2. Make sure the pressure relief valve is backed out so at least 4 threads are showing. If not, loosen the jam nut and screw the knob out until at least 4 threads can be seen
3. Make sure the valves to the agitator are open
4. With the booms on, idle tractor and engage the tractor PTO to start the pump. Slowly increase tractor RPM, paying attention to the sprayer pressure gauge. **(Do NOT spike the sprayer pressure gauge)**. If you over pressurize the spray system you can damage the pressure gauge and sprayer plumbing. Increase the tractor's RPM until you reach RPM that was used to set the tractor's speed
5. Adjust the pressure relief valve to reach your desired psi for your speed and GPA. This is achieved by loosening the jam nut on the pressure relief valve and screwing the knob in to increase pressure and out to decrease pressure. Once you have reached your desired pressure, tighten the jam nut to lock the pressure control knob. If you can not achieve enough pressure, slowly close the agitation valve.

You have successfully calibrated the sprayer.

For sprayers equipped with Centrifugal Pump & Electric Controls:

1. **See pump manufactures operators manual on how to set the pump (hydraulics) to work with your tractor**
2. Make sure the sprayer tank is at least half full of clean water and the tank supply shutoff valve to the pump is open
3. Make sure the valves to the agitator are open
4. With the booms on, idle tractor and engage the tractor hydraulics to start the pump. Slowly increase tractor RPM, paying attention to the sprayer pressure gauge. (If you do not see the pressure start to increase on the pressure gauge, immediately shut the pump off and make sure the valve to the pump is open and fluid is getting to the pump. Failure to do so will result in pump seal failure and void the sprayer warranty. Do NOT spike the sprayer pressure gauge, if you do over pressurize the spray system you can damage the pressure gauge and sprayer plumbing). Increase the tractor's RPM until you reach RPM that was used to set the tractor's speed
5. Adjust the pressure valve to reach your desired psi for your speed and GPA. This is achieved by pressing on the pressure adjust toggle switch on the control box. Press and hold the pressure adjust switch until the pressure stops increasing and then press and hold the toggle switch in the opposite direction to decrease pressure until it stops decreasing. This is the pressure operating range with the current pump setting. Optimally, you want to set the pump so that your target spraying pressure is 3/4 of the way to the top end of the pressure range. (Example: Target 40 PSI, Range is from 30-80 PSI, Slow the pump down so the range is from 10-60 PSI).

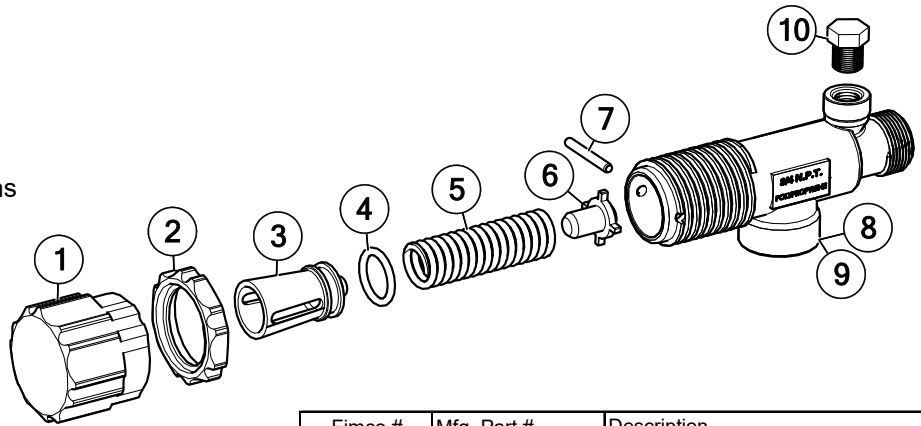
You have successfully calibrated the sprayer.

Calibrating the Sprayer

PISTON TYPE PRESSURE RELIEF/REGULATING VALVE

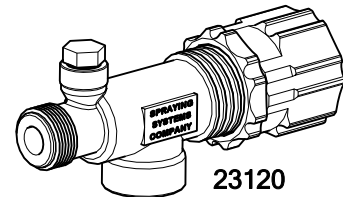
Bypasses excess liquid. Adjustable to maintain control of line pressure at any pressure within the valve operating range. Selected pressure setting firmly held in place by locknut. Extra large passages to handle large flows.

- Polypropylene with stainless steel spring
- Excellent chemical resistance
- EPDM O-Rings
- For pressure to 150 p.s.i.
- 1/4" port for pressure gauge
- 3/4" NPT (M) inlet & (F) outlet connections



Fimco #	Mfg. Part #	Description
5143199	23120-3/4-PP	Pressure Relief Valve (3/4" NPT)
5143200	23120-1/2-PP	Pressure Relief Valve (1/2" NPT)
5168717	PK-AB23120-KIT	Repair Kit, Items Marked **

Ref. #	Part #	Mfg. Part #	Description	Qty
1	5046270	CP23122-NY	Adjusting Cap, Nylon (Gray)	1
2	5110266	CP23123-PP	Lock Ring	1
3	◆◆	CP23124-PP	Spring Retainer	1
4	**	CP7717-15-EPR	O-Ring, EPDM Rubber	1
5	**	CP23127-302SS	Spring	1
6	◆◆	CP23125-PP	Guide Seat	1
7	**	CP23126-302SS	Retaining Pin	1
8	CP23121-PP	CP23121-PP	Poly Body (3/4" NPT)	1
9	CP23128-PP	CP23128-PP	Poly Body (1/2" NPT)	1
10	5102022	F14	Pipe Plug, 1/4" MNPT	1



** Available only in Repair Kit

◆◆ Only Available in Complete Assembly

Calibrating the Sprayer

Calibration Chart

There are many different sizes and styles of spray tips available to meet your spraying needs. If you need further information, please contact an Ag Spray Service Center for assistance.

Please Note: Flow rates are calculated using fresh water. Always remember to double check application rates.

Boomless Nozzle Application

Hypro Boom X Tender Boomless Nozzles



Nozzle Size (MNPT)	Pressure (PSI)	Flow Rate (GPM)	Gallons per Acre								GAL/1000 Sq. Ft.				Swath (Ft) at 40 PSI 48" High
			MPH								MPH				
			4	5	6	8	10	12	15	20	2	3	4	5	
10 (1/4")	30	0.9	8.9	7.1	5.9	4.5	3.6	3.0	2.4	1.8	0.41	0.27	0.20	0.16	13
	40	1.0	9.9	7.9	6.6	5.0	4.0	3.3	2.6	2.0	0.45	0.30	0.23	0.18	
	50	1.1	10.9	8.7	7.3	5.4	4.4	3.6	2.9	2.2	0.50	0.33	0.25	0.20	
	60	1.2	11.9	9.5	7.9	5.9	4.8	4.0	3.2	2.4	0.55	0.36	0.27	0.22	
15 (1/4")	30	1.3	10.9	8.7	7.3	5.4	4.4	3.6	2.9	2.2	0.53	0.35	0.26	0.21	14
	40	1.5	12.5	10.0	8.3	6.3	5.0	4.2	3.4	2.5	0.61	0.41	0.30	0.24	
	50	1.7	13.7	11.0	9.2	6.9	5.5	4.6	3.7	2.8	0.67	0.45	0.33	0.27	
	60	1.8	15.0	12.0	10.0	7.5	6.0	5.0	4.0	3.0	0.73	0.49	0.37	0.29	
20 (1/4")	30	1.7	13.6	10.9	9.0	6.8	5.4	4.5	3.6	2.7	0.62	0.42	0.31	0.25	15
	40	2.0	16.0	12.8	10.6	8.0	6.4	5.3	4.3	3.2	0.73	0.49	0.37	0.29	
	50	2.2	17.6	14.1	11.7	8.8	7.0	5.9	4.7	3.5	0.81	0.54	0.40	0.32	
	60	2.4	19.2	15.3	12.8	9.6	7.7	6.4	5.1	3.8	0.88	0.59	0.44	0.35	
24 (1/4")	30	2.1	16.2	13.0	10.8	8.1	6.5	5.4	4.3	3.2	0.75	0.50	0.37	0.30	16
	40	2.4	18.6	14.9	12.4	9.3	7.4	6.2	5.0	3.7	0.85	0.57	0.43	0.34	
	50	2.7	20.9	16.7	13.9	10.4	8.4	7.0	5.6	4.2	0.96	0.64	0.48	0.38	
	60	2.9	22.4	17.9	15.0	11.2	9.0	7.5	6.0	4.5	1.03	0.69	0.51	0.41	
43 (3/8")	30	3.7	31.6	25.3	21.1	15.8	12.6	10.5	8.4	6.3	1.45	0.97	0.72	0.58	14
	40	4.3	36.7	29.4	24.5	18.3	14.7	12.2	9.8	7.3	1.68	1.12	0.75	0.67	
	50	4.8	41.0	32.8	27.3	20.5	16.4	13.7	10.9	8.2	1.88	1.25	0.94	0.75	
	60	5.3	45.2	36.2	30.2	22.6	18.1	15.1	12.1	9.0	2.08	1.38	1.04	0.83	
80 (1/2")	30	6.9	68.3	54.6	45.5	34.2	27.3	22.8	18.2	13.7	3.14	2.09	1.57	1.25	13
	40	8.0	79.2	63.4	52.8	39.6	31.7	26.4	21.1	15.8	3.64	2.42	1.82	1.45	
	50	8.9	88.1	70.5	58.7	44.1	35.2	29.4	23.5	17.6	4.04	2.70	2.02	1.62	
	60	9.8	97.0	77.6	64.7	48.5	38.8	32.3	25.9	19.4	4.45	2.97	2.23	1.78	
167 (3/4")	30	14.5	128.0	103.0	85.4	64.1	51.3	42.7	34.2	25.6	5.88	3.92	2.94	2.35	15
	40	16.7	148.0	118.0	98.4	73.8	59.0	49.2	39.4	29.5	6.78	4.52	3.39	2.71	
	50	18.7	165.0	132.0	110.0	82.6	66.1	55.1	44.1	33.1	7.59	5.06	3.79	3.03	
	60	20.5	181.0	145.0	121.0	90.6	72.5	60.4	48.3	36.2	8.32	5.54	4.16	3.33	
215 (3/4")	30	18.6	144.0	115.0	95.9	71.9	57.5	48.0	38.4	28.8	6.60	4.40	3.30	2.64	16
	40	21.5	166.0	133.0	111.0	83.1	66.5	55.4	44.3	33.3	7.63	5.09	3.82	3.05	
	50	24.0	186.0	149.0	124.0	92.8	74.3	61.9	49.5	37.1	8.52	5.68	4.26	3.41	
	60	26.3	203.0	163.0	136.0	102.0	81.4	67.8	54.2	40.7	9.34	6.22	4.67	3.73	

NOTE: Application rates are based on overall swath widths listed at 48" height. Refer to operating instructions if using a different swath.

HAMILTON BOOMLESS NOZZLES



Operating Data for 1800 Nozzles

Orifice No.	PSI	GPM	Swath	Gallons per Acre				
				180°	180°	3 MPH	4 MPH	5 MPH
#5	30	1.7	44'	6.4	4.8	3.8	2.4	1.9
	40	2.0	46'	7.2	5.4	4.3	2.7	2.2
	50	2.2	48'	7.6	5.7	4.5	2.9	2.3
	60	2.4	50'	7.9	5.9	4.8	3.0	2.4
#10	30	3.7	50'	12.2	9.2	7.3	4.6	3.7
	40	4.2	50'	13.9	10.4	8.3	5.2	4.2
	50	4.6	52'	14.6	10.9	8.8	5.5	4.4
	60	5.0	52'	15.8	11.9	9.5	5.9	4.8
#20	30	5.1	54'	15.6	11.6	9.3	5.8	4.7
	40	5.9	54'	18.0	13.5	10.8	6.8	5.4
	50	6.7	56'	19.7	14.8	11.8	7.4	5.9
	60	7.1	58'	20.2	15.1	12.1	7.6	6.1

NOTE: 90° nozzles have the same GPA, but 1/2 GPM and swath

Calibrating the Sprayer

BROADCAST & TURF APPLICATION CHART—20" SPACING

Nozzle Size	Pressure (PSI)	Flow Rate (GPM)	Gallons per Acre 20-inch Nozzle Spacing										GAL/1000 Sq. Ft. 20-inch Nozzle Spacing				
			MPH										MPH				
			4	5	6	7	8	10	12	14	16	18	20	2	3	4	5
01	15	0.06	4.5	3.6	3.0	2.5	2.2	1.8	1.5	1.3	1.1	1.0	0.9	0.20	0.14	1.00	0.08
	30	0.09	6.7	5.3	4.5	3.8	3.3	2.7	2.2	1.9	1.7	1.5	1.3	0.31	0.20	0.15	0.12
	40	0.10	7.4	5.9	5.0	4.2	3.7	3.0	2.5	2.1	1.9	1.7	1.5	0.34	0.23	0.17	0.14
	60	0.12	8.9	7.1	5.9	5.1	4.5	3.6	3.0	2.5	2.2	2.0	1.8	0.41	0.27	0.20	0.16
	80	0.14	10.4	8.3	6.9	5.9	5.2	4.2	3.5	3.0	2.6	2.3	2.1	0.48	0.32	0.24	0.19
	100	0.16	11.9	9.5	7.9	6.8	5.9	4.8	4.0	3.4	3.0	2.6	2.4	0.55	0.36	0.27	0.22
015	15	0.09	6.7	5.3	4.5	3.8	3.3	2.7	2.2	1.9	1.7	1.5	1.3	0.31	0.20	0.15	0.12
	30	0.13	9.7	7.7	6.4	5.5	4.8	3.9	3.2	2.8	2.4	2.1	1.9	0.44	0.30	0.22	0.18
	40	0.15	11.1	8.9	7.4	6.4	5.6	4.5	3.7	3.2	2.8	2.5	2.2	0.51	0.34	0.26	0.20
	60	0.18	13.4	10.7	8.9	7.6	6.7	5.3	4.5	3.8	3.3	3.0	2.7	0.61	0.41	0.31	0.25
	80	0.21	15.6	12.5	10.4	8.9	7.8	6.2	5.2	4.5	3.9	3.5	3.1	0.72	0.48	0.36	0.29
	100	0.24	17.8	14.3	11.9	10.2	8.9	7.1	5.9	5.1	4.5	4.0	3.6	0.82	0.55	0.41	0.33
02	15	0.12	8.9	7.1	5.9	5.1	4.5	3.6	3.0	2.5	2.2	2.0	1.8	0.41	0.27	0.20	0.16
	30	0.17	12.6	10.1	8.4	7.2	6.3	5.0	4.2	3.6	3.2	2.8	2.5	0.58	0.39	0.29	0.23
	40	0.20	14.9	11.9	9.9	8.5	7.4	5.9	5.0	4.2	3.7	3.3	3.0	0.68	0.45	0.34	0.27
	60	0.24	17.8	14.3	11.9	10.2	8.9	7.1	5.9	5.1	4.5	4.0	3.6	0.82	0.55	0.41	0.33
	80	0.28	20.8	16.6	13.9	11.9	10.4	8.3	6.9	5.9	5.2	4.6	4.2	0.95	0.64	0.48	0.38
	100	0.32	23.8	19.0	15.8	13.6	11.9	9.5	7.9	6.8	5.9	5.3	4.8	1.09	0.73	0.55	0.44
025	15	0.15	11.1	8.9	7.4	6.4	5.6	4.5	3.7	3.2	2.8	2.5	2.2	0.51	0.34	0.26	0.20
	30	0.22	16.3	13.1	10.9	9.3	8.2	6.5	5.4	4.7	4.1	3.6	3.3	0.75	0.50	0.38	0.30
	40	0.25	18.6	14.9	12.4	10.6	9.3	7.4	6.2	5.3	4.6	4.1	3.7	0.85	0.57	0.43	0.34
	60	0.31	23.0	18.4	15.3	13.2	11.5	9.2	7.7	6.6	5.8	5.1	4.6	1.06	0.70	0.53	0.42
	80	0.35	26.0	20.8	17.3	14.9	13.0	10.4	8.7	7.4	6.5	5.8	5.2	1.19	0.80	0.60	0.48
	100	0.40	29.7	23.8	19.8	17.0	14.9	11.9	9.9	8.5	7.4	6.6	5.9	1.36	0.91	0.68	0.55
03	15	0.18	13.4	10.7	8.9	7.6	6.7	5.3	4.5	3.8	3.3	3.0	2.7	0.61	0.41	0.31	0.25
	30	0.26	19.3	15.4	12.9	11.0	9.7	7.7	6.4	5.5	4.8	4.3	3.9	0.89	0.59	0.44	0.35
	40	0.30	22.3	17.8	14.9	12.7	11.1	8.9	7.4	6.4	5.6	5.0	4.5	1.02	0.68	0.51	0.41
	60	0.37	27.5	22.0	18.3	15.7	13.7	11.0	9.2	7.8	6.9	6.1	5.5	1.26	0.84	0.63	0.50
	80	0.42	31.2	24.9	20.8	17.8	15.6	12.5	10.4	8.9	7.8	6.9	6.2	1.43	0.95	0.72	0.57
	100	0.47	34.9	27.9	23.3	19.9	17.4	14.0	11.6	10.0	8.7	7.8	7.0	1.60	1.07	0.80	0.64
035	15	0.21	15.6	12.5	10.4	8.9	7.8	6.2	5.2	4.5	3.9	3.5	3.1	0.72	0.48	0.36	0.29
	30	0.30	22.3	17.8	14.9	12.7	11.1	8.9	7.4	6.4	5.6	5.0	4.5	1.02	0.68	0.51	0.41
	40	0.35	26.0	20.8	17.3	14.9	13.0	10.4	8.7	7.4	6.5	5.8	5.2	1.19	0.80	0.60	0.48
	60	0.43	31.9	25.5	21.3	18.2	16.0	12.8	10.6	9.1	8.0	7.1	6.4	1.47	0.98	0.73	0.59
	80	0.49	36.4	29.1	24.3	20.8	18.2	14.6	12.1	10.4	9.1	8.1	7.3	1.67	1.11	0.84	0.67
	100	0.55	40.8	32.7	27.2	23.3	20.4	16.3	13.6	11.7	10.2	9.1	8.2	1.88	1.25	0.94	0.75
04	15	0.24	17.8	14.3	11.9	10.2	8.9	7.1	5.9	5.1	4.5	4.0	3.6	0.82	0.55	0.41	0.33
	30	0.35	26.0	20.8	17.3	14.9	13.0	10.4	8.7	7.4	6.5	5.8	5.2	1.19	0.80	0.60	0.48
	40	0.40	29.7	23.8	19.8	17.0	14.9	11.9	9.9	8.5	7.4	6.6	5.9	1.36	0.91	0.68	0.55
	60	0.49	36.4	29.1	24.3	20.8	18.2	14.6	12.1	10.4	9.1	8.1	7.3	1.67	1.11	0.84	0.67
	80	0.57	42.3	33.9	28.2	24.2	21.2	16.9	14.1	12.1	10.6	9.4	8.5	1.94	1.30	0.97	0.78
	100	0.63	46.8	37.4	31.2	26.7	23.4	18.7	15.6	13.4	11.7	10.4	9.4	2.15	1.43	1.07	0.86
05	15	0.31	23.0	18.4	15.3	13.2	11.5	9.2	7.7	6.6	5.8	5.1	4.6	1.06	0.70	0.53	0.42
	30	0.43	31.9	25.5	21.3	18.2	16.0	12.8	10.6	9.1	8.0	7.1	6.4	1.47	0.98	0.73	0.59
	40	0.50	37.1	29.7	24.8	21.2	18.6	14.9	12.4	10.6	9.3	8.3	7.4	1.71	1.14	0.85	0.68
	60	0.61	45.3	36.2	30.2	25.9	22.6	18.1	15.1	12.9	11.3	10.1	9.1	2.08	1.39	1.04	0.83
	80	0.71	52.7	42.2	35.1	30.1	26.4	21.1	17.6	15.1	13.2	11.7	10.5	2.42	1.61	1.21	0.97
	100	0.79	58.7	46.9	39.1	33.5	29.3	23.5	19.6	16.8	14.7	13.0	11.7	2.69	1.80	1.35	1.08
06	15	0.37	27.5	22.0	18.3	15.7	13.7	11.0	9.2	7.8	6.9	6.1	5.5	1.26	0.84	0.63	0.50
	30	0.52	38.6	30.9	25.7	22.1	19.3	15.4	12.9	11.0	9.7	8.6	7.7	1.77	1.18	0.89	0.71
	40	0.60	44.6	35.6	29.7	25.5	22.3	17.8	14.9	12.7	11.1	9.9	8.9	2.05	1.36	1.02	0.82
	60	0.73	54.2	43.4	36.1	31.0	27.1	21.7	18.1	15.5	13.6	12.0	10.8	2.49	1.66	1.24	1.00
	80	0.85	63.1	50.5	42.1	36.1	31.6	25.2	21.0	18.0	15.8	14.0	12.6	2.90	1.93	1.45	1.16
	100	0.95	70.5	56.4	47.0	40.3	35.3	28.2	23.5	20.2	17.6	15.7	14.1	3.24	2.16	1.62	1.30
08	15	0.49	36.4	29.1	24.3	20.8	18.2	14.6	12.1	10.4	9.1	8.1	7.3	1.67	1.11	0.84	0.67
	30	0.69	51.2	41.0	34.2	29.3	25.6	20.5	17.1	14.6	12.8	11.4	10.2	2.35	1.57	1.18	0.94
	40	0.80	59.4	47.5	39.6	33.9	29.7	23.8	19.8	17.0	14.9	13.2	11.9	2.73	1.82	1.36	1.09
	60	0.98	72.8	58.2	48.5	41.6	36.4	29.1	24.3	20.8	18.2	16.2	14.6	3.34	2.23	1.67	1.34
	80	1.13	83.9	67.1	55.9	47.9	42.0	33.6	28.0	24.0	21.0	18.6	16.8	3.85	2.57	1.93	1.54
	100	1.26	93.6	74.8	62.4	53.5	46.8	37.4	31.2	26.7	23.4	20.8	18.7	4.30	2.86	2.15	1.72
010	15	0.61	45.3	36.2	30.2	25.9	22.6	18.1	15.1	12.9	11.3	10.1	9.1	2.08	1.39	1.04	0.83
	30	0.87	64.6	51.7	43.1	36.9	32.3	25.8	21.5	18.5	16.1	14.4	12.9	2.97	1.98	1.48	1.19
	40	1.00	74.3	59.4	49.5	42.4	37.1	29.7	24.8	21.2	18.6	16.5	14.9	3.41	2.27	1.71	1.36
	60	1.22	90.6	72.5	60.4	51.8	45.3	36.2	30.2	25.9	22.6	20.1	18.1	4.16	2.77	2.08	1.66
	80	1.41	104.7	83.8	69.8	59.8	52.3	41.9	34.9	29.9	26.2	23.3	20.9	4.81	3.21	2.40	1.92
	100	1.58	117.3	93.9	78.2	67.0	58.7	46.9	39.1	33.5	29.3	26.1	23.5	5.39	3.59	2.69	2.16
015	15	0.92	68.3	54.6	45.5	39.0	34.2	27.3	22.8	19.5	17.1	15.2	13.7	3.14	2.09	1.57	1.25
	30	1.30	96.5	77.2	64.4	55.2	48.3	38.6	32.2	27.6	24.1	21.5	19.3	4.43	2.96	2.22	1.77
	40	1.50	111.4	89.1	74.3	63.6	55.7	44.6	37.1	31.8	27.8	24.8	22.3	5.12	3.41	2.56	2.05
	60	1.84	136.6	109.3	91.1	78.1	68.3	54.6	45								

Operating Instructions

Before operating the sprayer, it is important that you read this entire manual and know all the safety precautions. Always take your time and be alert when operating your sprayer. This will allow you to safely spray without accident or interruption.

Spraying with the Boom

1. Calibrate the sprayer using the calibration instructions and application charts. This will determine what pressure to spray at in order to achieve the desired Gallons per Acre (GPA).
2. Connect the PTO coupler and torque bar to the tractor or Hydraulic Pump hoses.
3. Fill the tank with some water in order to set the pressure and test for leaks.
4. Prepare the sprayer for spraying. Open the ball valve on the suction line, make sure the boom valves are off and make sure the spray gun is closed (if applicable).
5. Start the tractor and engage the pump. The tractor should be running at the RPM rate determined when you calibrated your sprayer. Ensure that the pump is primed and that there are no leaks in any of the lines.
6. Using the relief valve (manual controls), or pressure adjustment switch (electric controls), adjust the sprayers pressure to the pressure rating found when you calibrated your sprayer. You may need to readjust the pressure when you open the boom control valves.
7. You may now fill the tank with the amount of water and chemicals recommended by the chemical manufacturer. Before filling the tank make sure the pump is disengaged.
8. After filling the tank, engage the pump and allow an ample amount of time for the jet agitator to mix the water and chemicals. Note: See chemical instructions for necessary agitation time. You are now ready to begin spraying.
9. Upon arriving at the spraying location, unfold booms (if applicable), engage pump, open the boom control valves and make sure the pressure setting is correct. While spraying always remember to maintain constant level of speed and RPM (rates found when calibrated).

Spraying with the Spray Gun

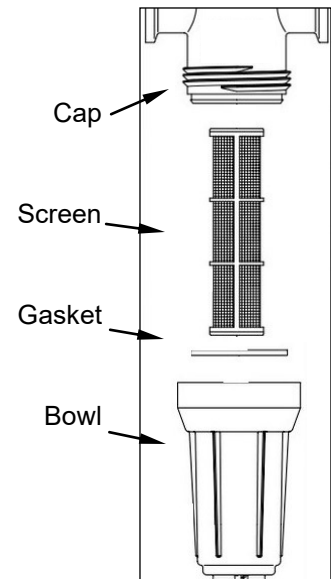
1. Connect the pump's PTO coupler and torque bar.
2. Fill the tank with some water in order to set the pressure and test for leaks.
3. Make sure the spray gun is closed and the booms are off.
4. Start the tractor and engage the pump. Ensure that the pump is primed and that there are no leaks in any of the lines.
5. Adjust the sprayer's pressure using the relief valve to your desired setting. When you open the spray gun, you may need to readjust the pressure.
6. You may now fill the tank with the amount of water and chemicals recommended by the chemical manufacturer. Before filling the tank make sure the pump is disengaged.
7. After filling the tank, engage the pump and allow an ample amount of time for the jet agitator to mix the water and chemicals. Note: See chemical instructions for necessary agitation time. You are now ready to begin spraying.
8. Upon arriving at the spraying location, engage the pump and make sure the pressure setting is correct. Adjust the gun to the desired spray pattern when spraying.

Maintenance Instructions

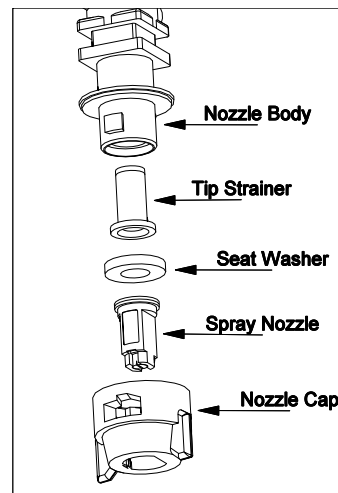
Routine Maintenance

It is very important to perform routine maintenance on your sprayer before and after each use. Good maintenance practices will help to guard against sprayer breakdowns or accidents.

1. It is recommended to perform a visual and physical inspection for any worn parts, loose bolts or other visible problems. Make all necessary repairs before spraying. Please contact an authorized Ag Spray dealer to order parts or to receive technical help.
2. After each use, it is important to rinse the sprayer and all components by running a good quality tank cleaner (Tank Neutralizer and Cleaner) through the system (if no tank cleaner is available, you may substitute a good grade of dish soap for this step. Turn pump on and circulate through the sprayer for 15 minutes and then spray out through boom and handgun nozzles. Refill sprayer part way with clean fresh water and repeat. Rinsing the sprayer after use will greatly improve the life of the pump and other components.
3. **Failure to properly rinse the sprayer and all components after each use, will void the manufacturer's warranty. Note: All rinsates must be sprayed in field according to chemical regulations!**
4. The screen of the in-line filter on the suction line should be taken out and rinsed. Note: Be careful not to lose the gasket in the filter bowl. The filter will leak without this gasket.

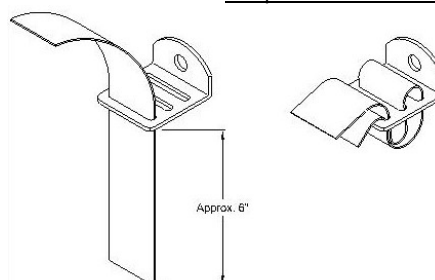


5. Tip strainer (if applicable), should also be taken out and rinsed after each use. Tip strainers are small screens that are located behind each spray nozzle on the boom.



6. The nylon straps are to be inserted in and out of the slots in the buckle, as shown. Be sure the straps are snug before tightening the hook bolts. In most cases, it will be necessary to re-tighten the straps as the tank settles into the saddle.

Strap/Buckle Detail
Strap Attachment to a "Bent" Buckle



Maintenance Instructions

Pump Maintenance

1. Follow all pump safety precautions and warnings. Following these guidelines will help to ensure many years of smooth and trouble-free service.
2. Flush the pump, as directed in routine maintenance, after every use. It is also very important to winterize your pump to prevent freezing and corrosion. Please see Winterizing your Sprayer section below for instructions.
3. After many years of use, you may find that your pump is leaking or has experienced a decrease in performance. You may need to change the seals and rollers. Contact an authorized Ag Spray Dealer for parts and technical support.

Winterizing your Sprayer

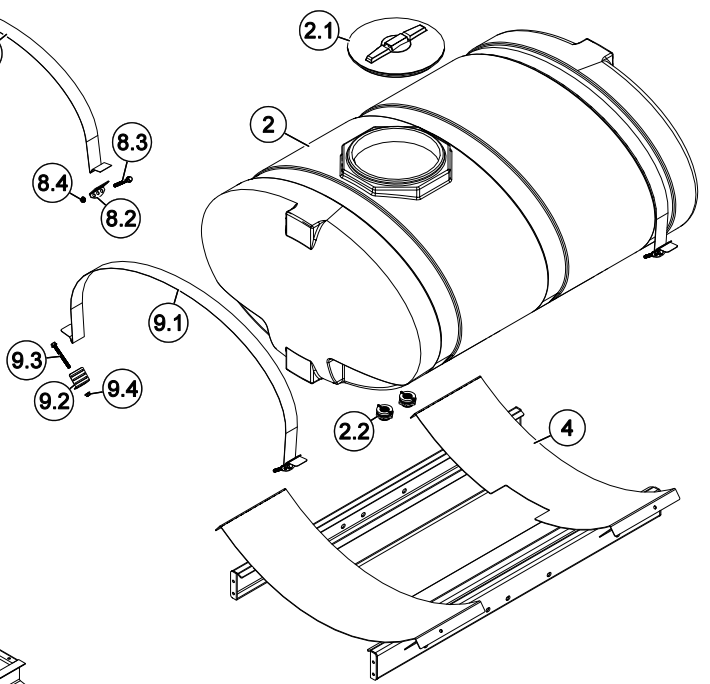
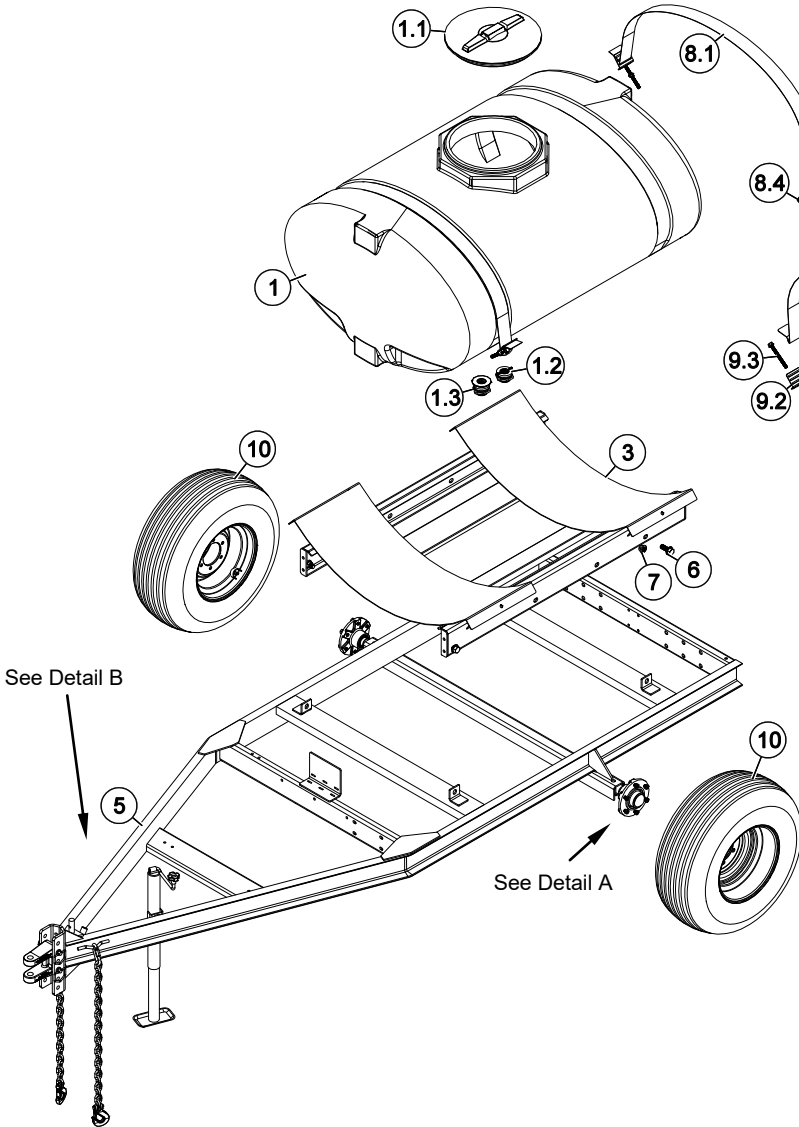
It is essential that you winterize your sprayer to avoid damage and to allow for optimal performance. The winterization process should be undertaken before freezing conditions and/or after each season of use. **Failure to winterize your sprayer will void the manufacturer's warranty.**

1. Verify that the tank is empty and rinsed out. Pour 1-2 gallons of RV nontoxic antifreeze into the tank. It is not recommended to use engine antifreeze. Engine antifreeze can be harmful to humans, animals, crops and the environment.
2. Engage the pump and spray with the boom and spray gun (if applicable). Make sure that the antifreeze has been pumped through the entire system, including all spray nozzles.
3. See pump manufacturers operators manual for proper winter storage of your sprayer pump.
4. Before spraying in the spring, it is recommended to flush the sprayer with fresh water to cleanse it of the antifreeze and any other buildup. It would also be beneficial to do a thorough inspection of all sprayer components before spraying.

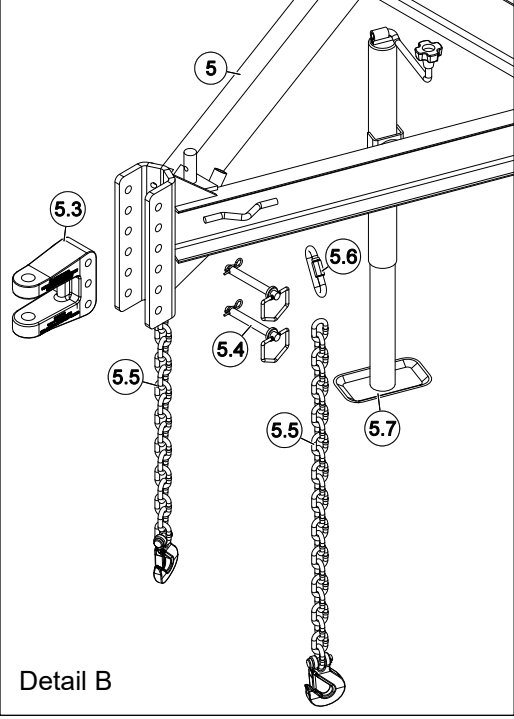
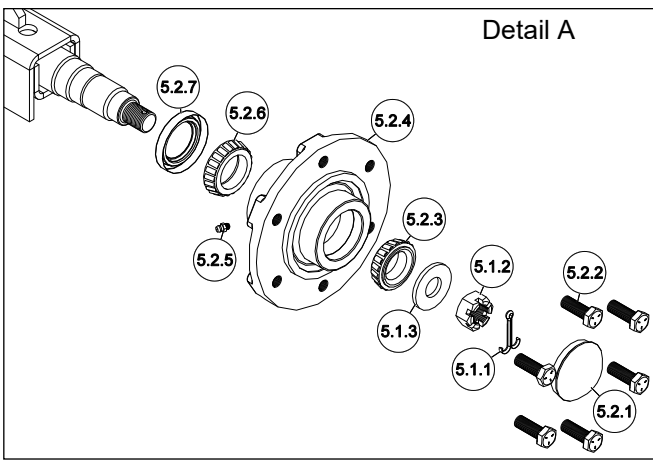
300/500 Gallon Trailer Sprayer Component Breakdown & Parts List

SASTR-300LP-KIT (5276654-BLK) (5276654-BLU)

SASTR-500LP-KIT (5276593-BLK) (5276593-BLU)



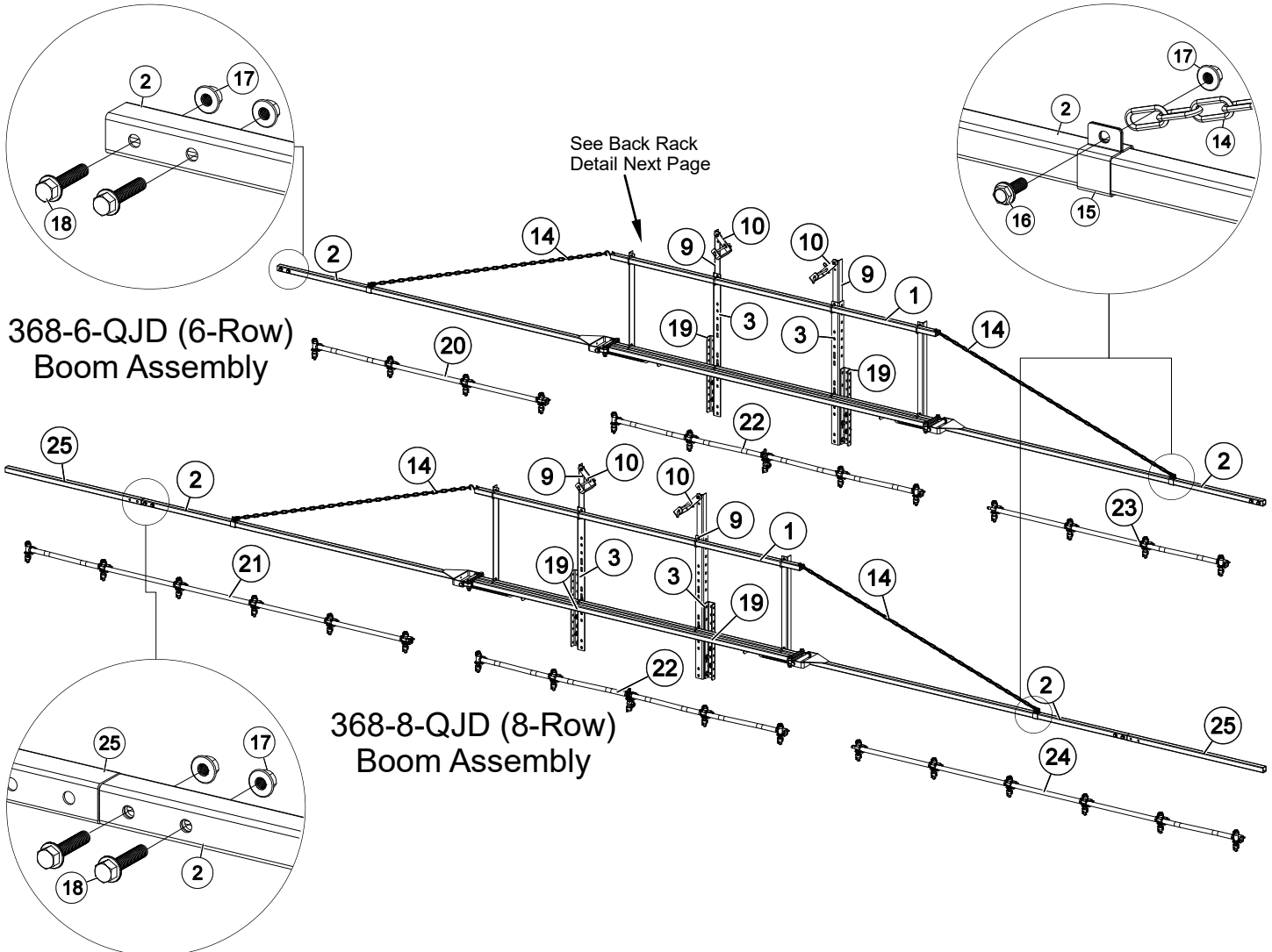
See Parts List Next Page



300/500 Gallon Trailer Sprayer Component Breakdown & Parts List

Ref. #	Part #	SASTR-300LP	SASTR-500LP	Description
1	300ELY	1	--	300 Gal. Elliptical Tank (Yellow)
1.1	60038	1	--	16" Lid, Ring, & Air Vent
1.2	5274362	1	--	1-1/4" Double-Threaded Bulkhead Fitting
1.3	TF125AVN	1	--	1-1/4" Anti-Vortex Double Threaded Bulkhead Fitting
2	5169228	--	1	500 Gal. Elliptical Tank (Yellow)
2.1	60038	--	1	16" Lid, Ring, & Air Vent
2.2	5274362	--	2	1-1/4" Double-Threaded Bulkhead Fitting
3	5277059	1	--	300 Elliptical Cradle Weldment
4	5277077	--	1	500 Elliptical Cradle Weldment
5	5301968	1	1	300/500E Trailer Assembly
5.1	5277069	1	1	300/500 Elliptical Trailer Frame Weldment
5.1.1	5101135	1	1	Cotter Pin
5.1.2	5006207	1	1	Castle Nut, 7/8"-14 U.N.F.
5.1.3	5016194	1	1	Spindle Washer
5.2	5271840	2	2	6-Bolt Hub Assembly
5.2.1	5046094	1	1	Hub Cap
5.2.2	5034166	6	6	Wheel Bolt, 1/2"-20 N.F. x 1 1/4"
5.2.3	5031067	1	1	Cone Bearing
5.2.4	5085012	1	1	Hub (Only), 6-Bolt
5.2.5	5012015	1	1	Grease Zerk, 1/4"-28 Thread
5.2.6	5031081	1	1	Cone Bearing
5.2.7	5110120	1	1	Grease Seal
5.3	5080030	1	1	Cast Hitch Clevis
5.4	5101226	2	2	Hitch Pin, 5/8" Dia., 4 1/4" Useable w/Hairpin Cotter
5.5	5049041	2	2	Safety Chain w/Hook
5.6	5094013	2	2	1/2" Rapid/Quick Link
5.7	5273859	1	1	Jack, 2000# - 15" Pipe Mount - Topwind
6	5034757	4	4	Fling HH Bolt 3/4-10 x 2"
7	5006359	4	4	3/4-10nc Hex Flanged Toplock Nut Gr. 8
8	5278117	1	--	Strap Kit, 300EC/300LP
8.1	5133221	2	--	Poly Tank Strap, 3" x 96"
8.2	5108112	4	--	Tank Strap Buckle (Bent, for 3" Strap)
8.3	5034706	4	--	H.H.C.S. Flanged 1/2"-13nc x 5"
8.4	5006337	4	--	1/2-13nc Hex Flanged Whiz Nut Gr. 5
9	5278118	--	1	Strap Kit, 500 Low Pro
9.1	5133231	--	2	Poly Tank Strap, 3" x 132"
9.2	5108112	--	4	Tank Strap Buckle (Bent, for 3" Strap)
9.3	5034706	--	4	H.H.C.S. Flanged 1/2"-13nc x 5"
9.4	5006337	--	4	1/2-13nc Hex Flanged Whiz Nut Gr. 5
10	5274950	2	2	11L-15 Tire Assembly (8 Ply)

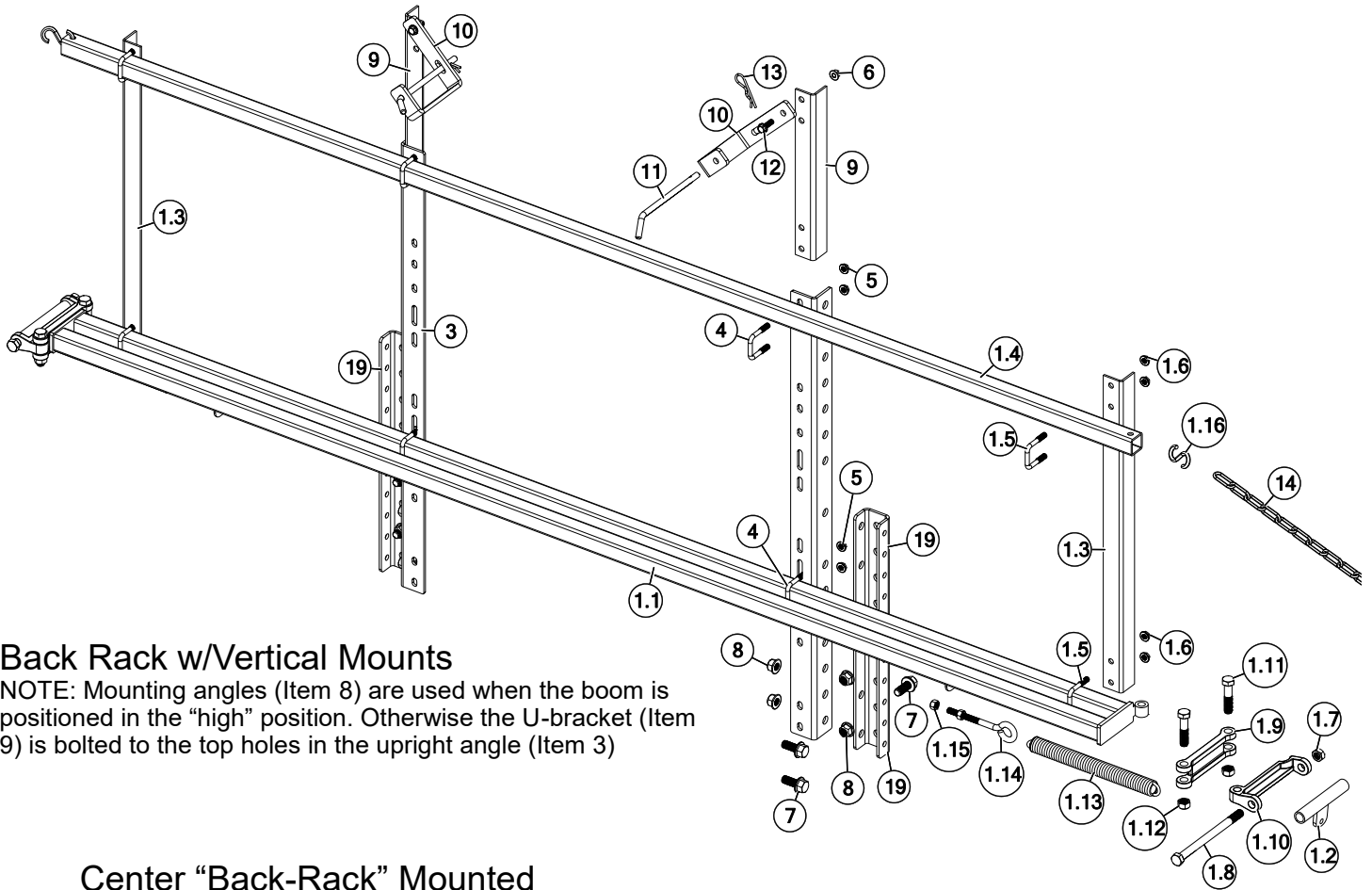
368 Boom Assembly Component Breakdown & Parts List



Ref. #	Part #	Qty	368-6-8771	368-8-8771	Description
1	5277359	1	1	1	Boom Center Section Assembly
1.1	5273315	1	1	1	Center Boom Weldment
1.2	5271580	2	2	2	Spring Connector Weldment
1.3	5022256	2	2	2	End Angle
1.4	5009635	1	1	1	Top Bar Tube
1.5	5034159	4	4	4	Square U-Bolt, 5/16" x 1 5/16" x 1 7/8"
1.6	5006307	8	8	8	5/16"-18 Hex Whiz (Flange) Locknut
1.7	5006142	2	2	2	1/2"-13 Hex Jam Nut
1.8	5034074	2	2	2	H.H.C.S., 1/2"-13 x 7"
1.9	5080012	2	2	2	Center Hinge Section
1.10	5080011	2	2	2	Outer Hinge Section
1.11	5034308	4	4	4	H.H.C.S., 1/2"-13 x 2 1/4"
1.12	5006091	4	4	4	1/2"-13 Hex Locknut
1.13	5019097	2	2	2	Hinge Spring
1.14	5034107	2	2	2	3/8" x 4" Eyebolt, Turned, Zinc-Plated
1.15	5006054	4	4	4	3/8"-16 Hex Nut
1.16	5082006	2	2	2	"S" Hook
2	5273313	2	2	2	End Boom Weldment
3	5022238	2	2	2	Boom Upright Angle
4	5034159	4	4	4	Square U-Bolt, 5/16" x 1 5/16" x 1 7/8"
5	5006307	8	8	8	5/16"-18 Hex Whiz (Flange) Locknut
6	5006389	2	2	2	5/16"-18nc Hex Flanged Toplock Nut Gr. 5
7	5034691	8	8	8	H.H.C.S. Flanged 1/2"-13nc x 1 1/4" Long
8	5006365	8	8	8	1/2"-13nc Hex Flanged Toplock Nut Gr. 8
9	5022238	2	2	2	Mounting Angle
10	5038317	2	2	2	U-Bracket
11	5101231	2	2	2	Pin
12	5117300	2	2	2	5/16"-18 x 1" Flange Whiz Lock Screw
13	5101065	2	2	2	#211 Hitch Pin Clip (Zinc Plated)
14	5049018	2	2	2	Boom Chain (7 Ft.)
15	5051085	2	2	2	Slide Clamp
16	5117307	2	2	2	3/8"-16 x 1" Whiz (Flange) Lockscrew
17	5006345	6	6	6	3/8"-16nc Hex Flanged Toplock Nut Gr. 5
18	5034664	4	4	4	H.H.C.S. Flanged 3/8"-16nc x 1 3/4" Long

Ref. #	Part #	Qty	368-6-8771	368-8-8771	Description
19	5038771	2	2	2	Boom Adapter Bracket
20	5277850	1	1	--	LH End Nozzle Harness Assembly (QJD)
20.1	5277717	1	1	--	QJD Elbow Nozzle Assembly (1/2")
20.2	5277718	3	3	--	QJD Tee Nozzle Assembly (1/2")
20.3	5272165	4	4	--	Vari-Quick Clamp (1 1/4" Sq. Tube)
20.4	5020416	3	3	--	Hose, 1/2"-1 Brd. x 19 3/8"
20.5	5051114	6	6	--	Hose Clamp, 1/2"
21	5277852	1	--	1	LH End Nozzle Harness Assembly (QJD)
21.1	5277717	1	--	1	QJD Elbow Nozzle Assembly (1/2")
21.2	5277718	5	--	5	QJD Tee Nozzle Assembly (1/2")
21.3	5272165	6	--	6	Vari-Quick Clamp (1 1/4" Sq. Tube)
21.4	5020416	5	--	5	Hose, 1/2"-1 Brd. x 19 3/8"
21.5	5051114	10	--	10	Hose Clamp (3/8"-1/2")
22	5277767	1	1	1	Center Nozzle Harness Assembly (QJD - 1/2")
22.1	5277717	2	2	2	QJD Elbow Nozzle Assembly (1/2")
22.2	5277718	2	2	2	QJD Tee Nozzle Assembly (1/2")
22.3	5277719	1	1	1	QJD Cross Nozzle Assembly (1/2")
22.4	5272165	5	5	5	Vari-Quick Clamp (1 1/4" Sq. Tube)
22.5	5020416	4	4	4	Hose, 1/2"-1 Brd. x 19 3/8"
22.6	5051114	8	8	8	Hose Clamp, 1/2"
23	5277851	1	1	--	RH End Nozzle Harness Assembly (QJD)
23.1	5277717	1	1	--	QJD Elbow Nozzle Assembly (1/2")
23.2	5277718	3	3	--	QJD Tee Nozzle Assembly (1/2")
23.3	5272165	4	4	--	Vari-Quick Clamp (1 1/4" Sq. Tube)
23.4	5020416	3	3	--	Hose, 1/2"-1 Brd. x 19 3/8"
23.5	5051114	6	6	--	Hose Clamp, 1/2"
24	5277853	1	--	1	RH End Nozzle Harness Assembly (QJD)
24.1	5277717	1	--	1	QJD Elbow Nozzle Assembly (1/2")
24.2	5277718	5	--	5	QJD Tee Nozzle Assembly (1/2")
24.3	5272165	6	--	6	Vari-Quick Clamp (1 1/4" Sq. Tube)
24.4	5020416	5	--	5	Hose, 1/2"-1 Brd. x 19 3/8"
24.5	5051114	10	--	10	Hose Clamp (3/8"-1/2")
25	5275736	2	--	2	Boom Extension (for 8-Row)

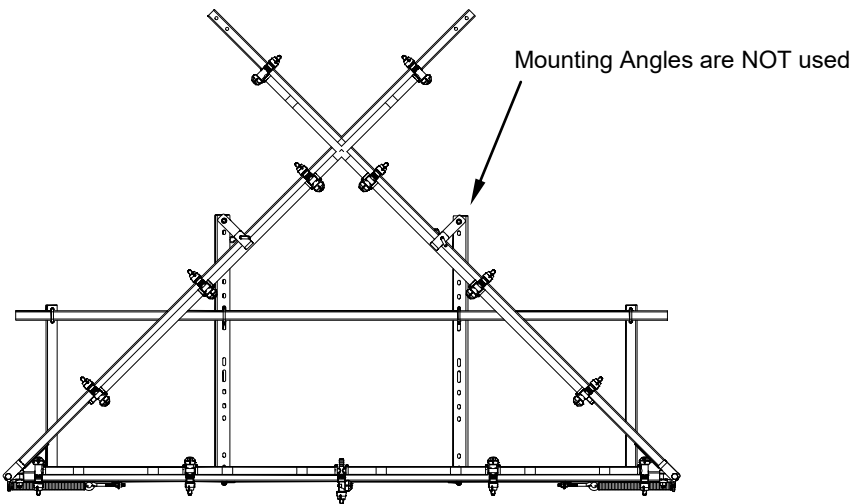
368 Boom Assembly Component Breakdown & Parts List



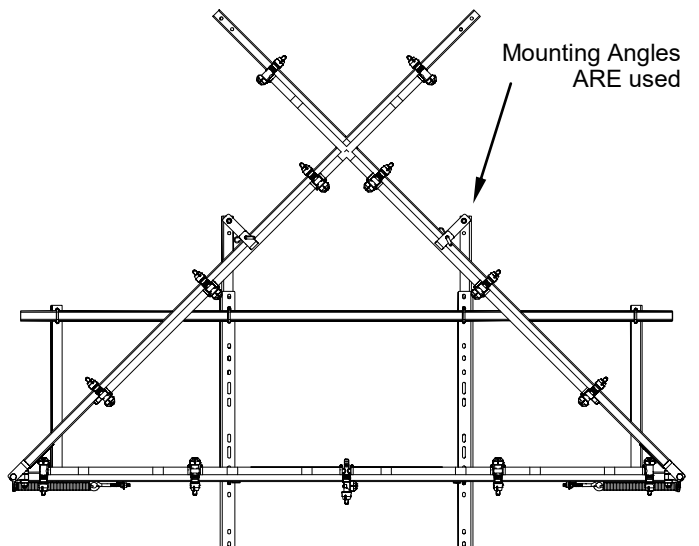
Back Rack w/Vertical Mounts

NOTE: Mounting angles (Item 8) are used when the boom is positioned in the "high" position. Otherwise the U-bracket (Item 9) is bolted to the top holes in the upright angle (Item 3)

Center "Back-Rack" Mounted In the "Low" Position

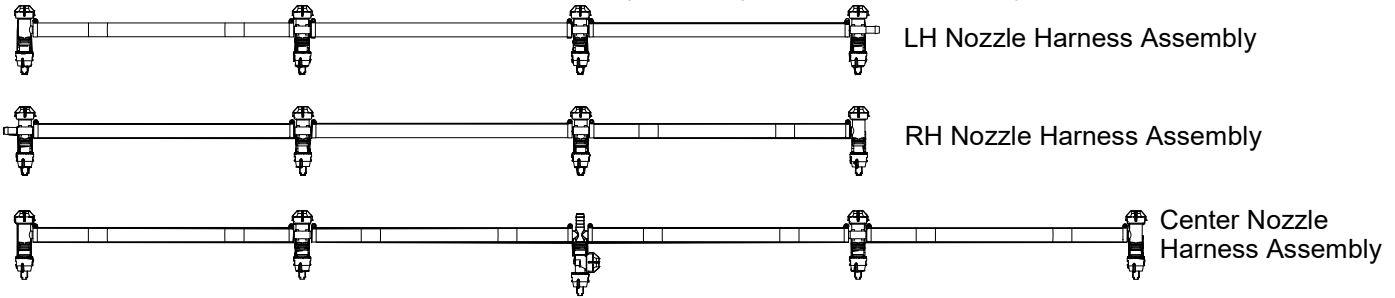


Center "Back-Rack" Mounted In the "High" Position

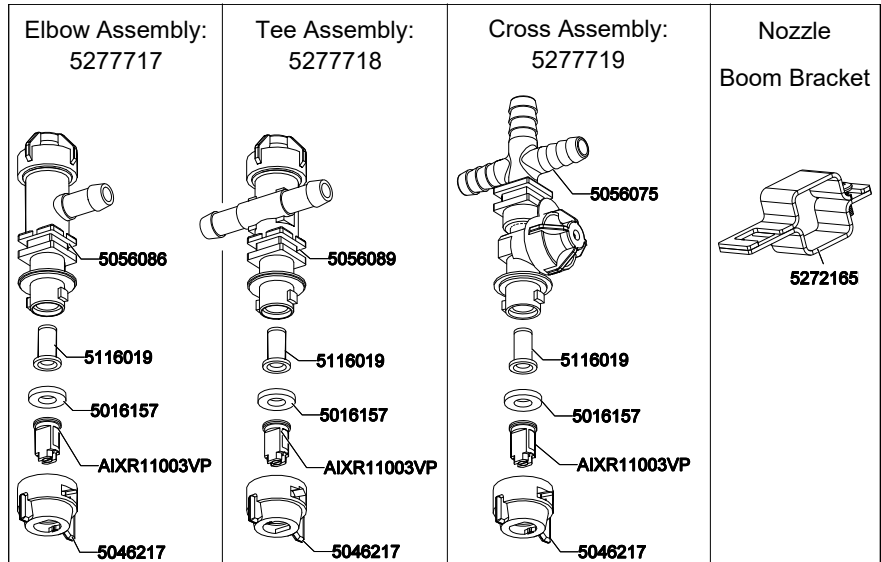
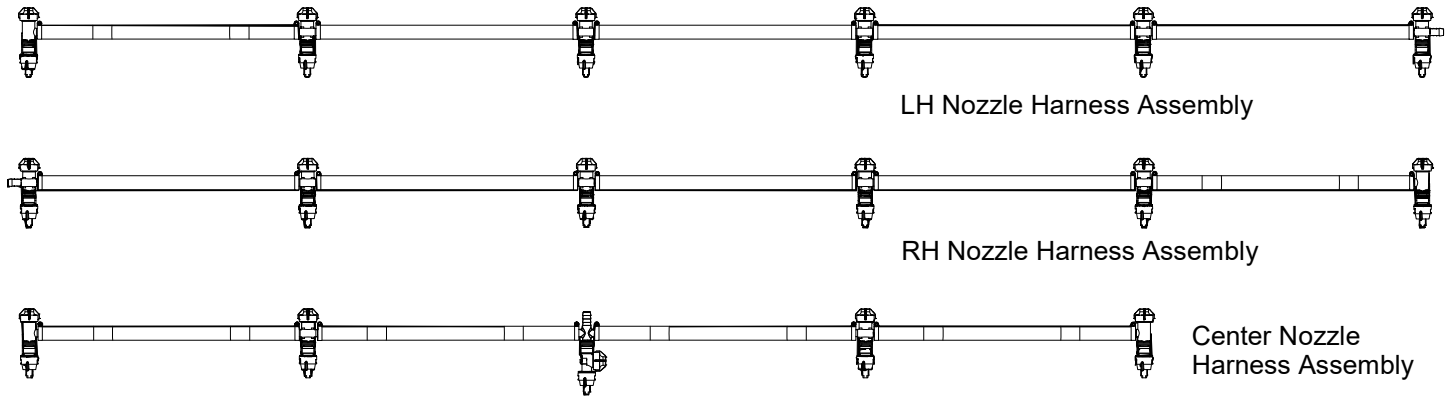


368 Boom Assembly Component Breakdown & Parts List

368-6-QJD (6-Row) Boom Assembly



368-8-QJD (8-Row) Boom Assembly



Nozzle Assemblies consist of "Elbow", "Tee" & "Cross" style nozzles.

Each assembly includes: Nozzle Body, Strainer, Seat Washer, AIXR11003VP Nozzles and Nozzle Cap

All hoses in this boom assembly are part #5020416 (1/2" x 19-3/8" Long)

All hose clamps in this boom assembly are part #5051114

The AIXR TeeJet Flat Spray Tip offers the benefits of obtaining excellent drift resistance without compromising spray coverage. Tips producing very coarse droplets do minimize drift but do not provide the same surface coverage as tips that produce smaller droplets. In some applications, inadequate coverage decreases the effectiveness of the applied chemicals.

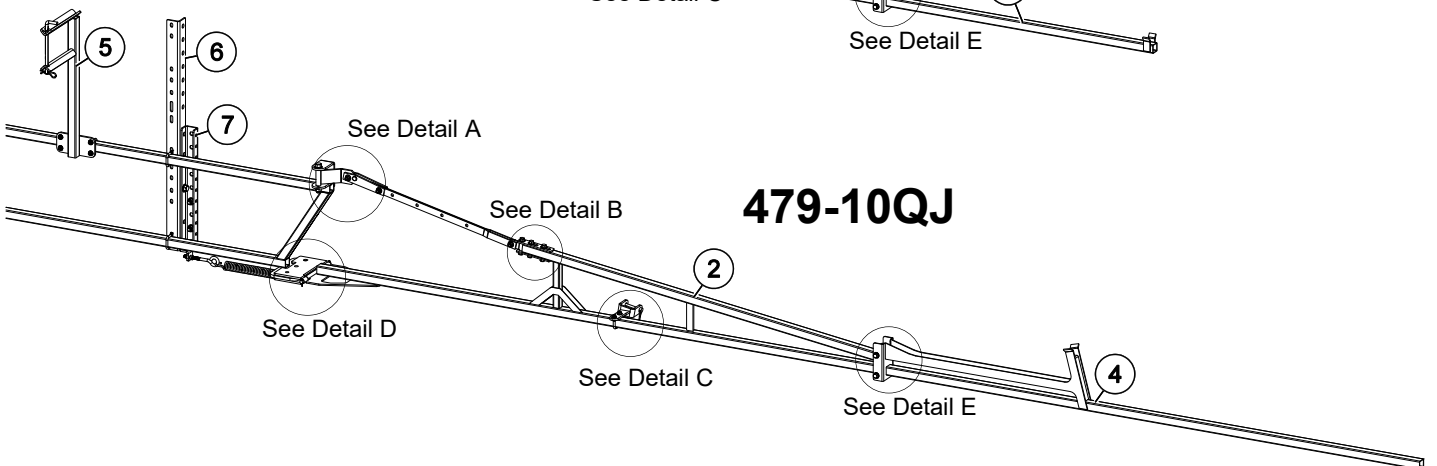
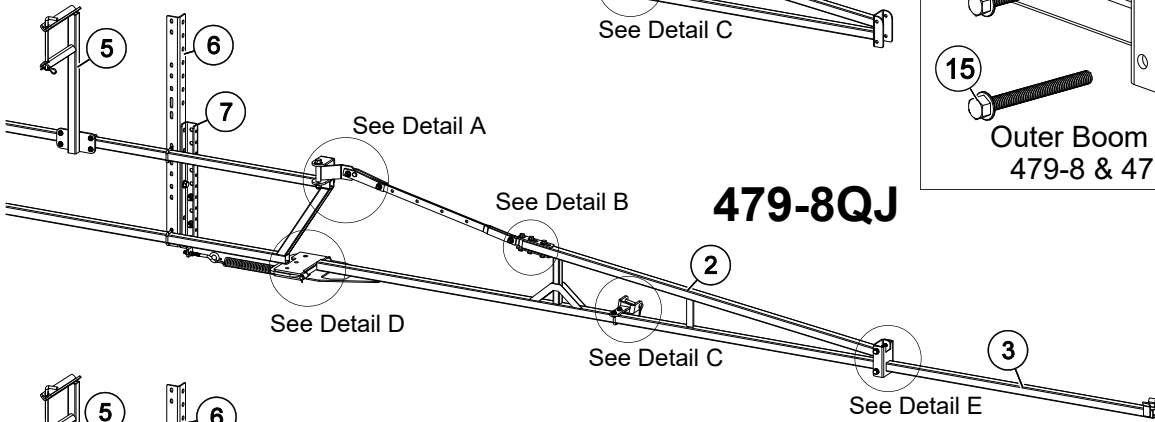
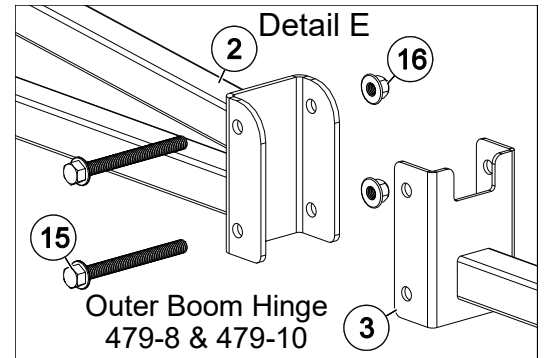
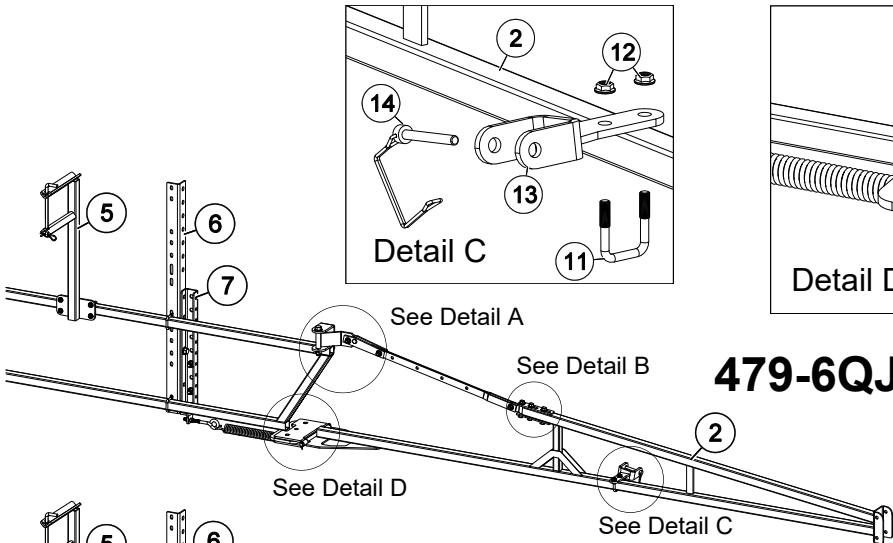
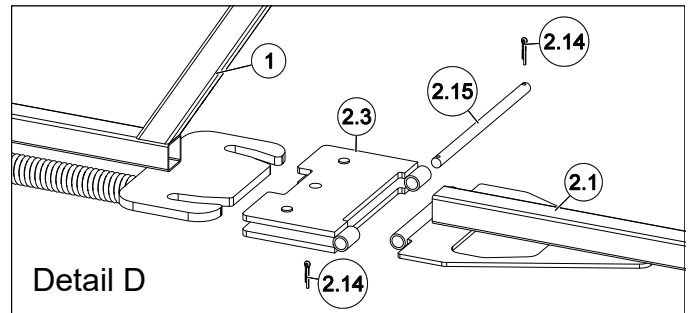
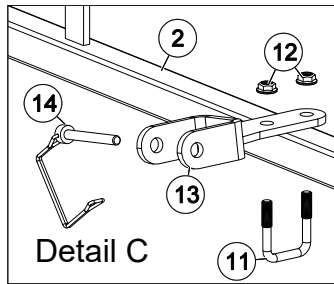
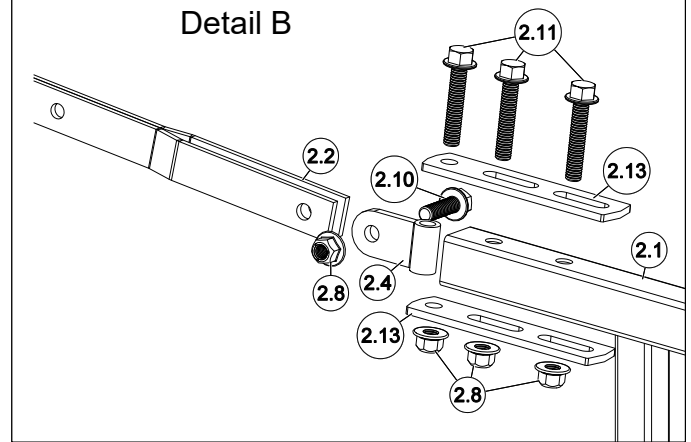
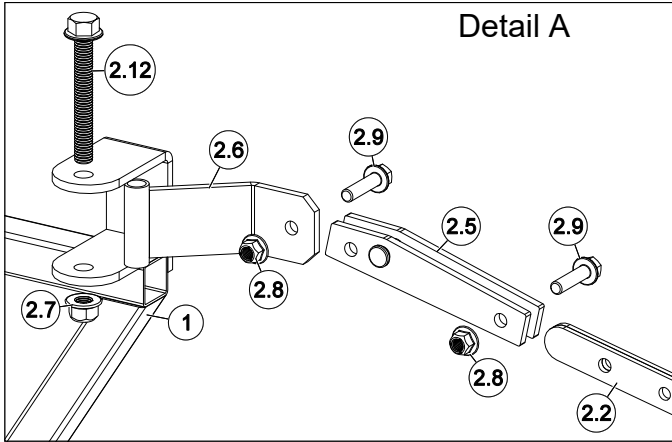
AIXR Features and Benefits

- 110° wide, tapered flat spray angle with air induction technology for better drift management
- Made of 2-piece UHMWPE polymer construction which provides excellent chemical resistance, including acids, as well as exceptional wear life
- Compact size to prevent tip damage
- Removable pre-orifice
- Excellent for systemic products and drift management

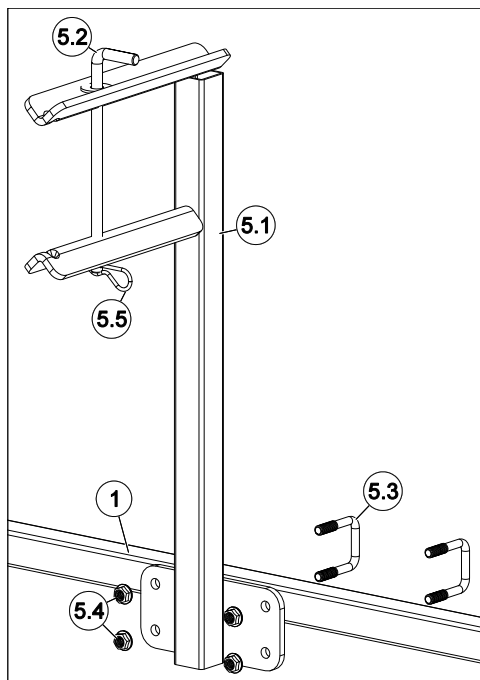
Spray Tip Rate Chart (20" Spacing)

Tip No.	Pressure (psi)	Capacity (GPM)	Gallons Per Acre - Based on Water							
			1	2	3	4	5	6	8	
			MPH	MPH	MPH	MPH	MPH	MPH	MPH	
AIXR11003VP	15	.18	53.6	26.8	17.8	13.4	10.7	8.9	6.7	
	20	.21	62.4	31.2	20.8	15.6	12.5	10.4	7.8	
	30	.26	77.2	38.6	25.8	19.3	15.4	12.9	9.7	
	40	.30	88.0	44.0	29.8	22.0	17.8	14.9	11.1	
Tip No.	Pressure (psi)	Capacity (GPM)	Gallons Per 1000 Sq. Ft. - Based on Water							
			1	2	3	4	5	6	8	
			MPH	MPH	MPH	MPH	MPH	MPH	MPH	
AIXR11003VP	15	.18		.61	.41	.31	.24			
	20	.21		.71	.48	.36	.29			
	30	.26		.88	.59	.44	.35			
	40	.30		1.0	.68	.51	.41			

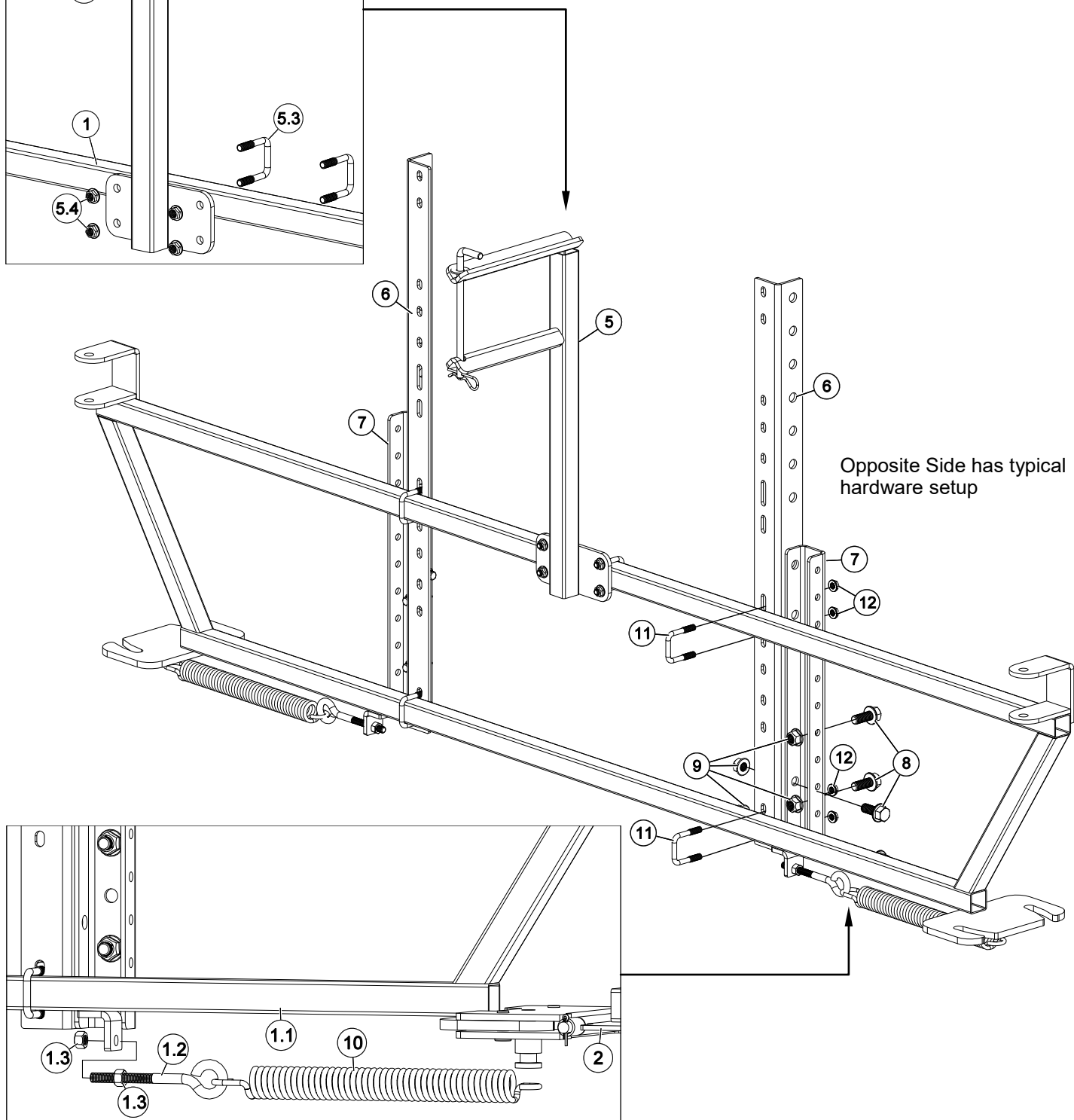
479 Boom Assembly Component Breakdown & Parts List



479 Back Rack & Boom Stand Component Breakdown



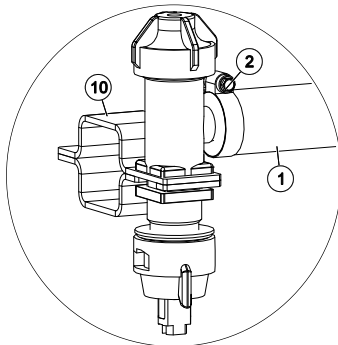
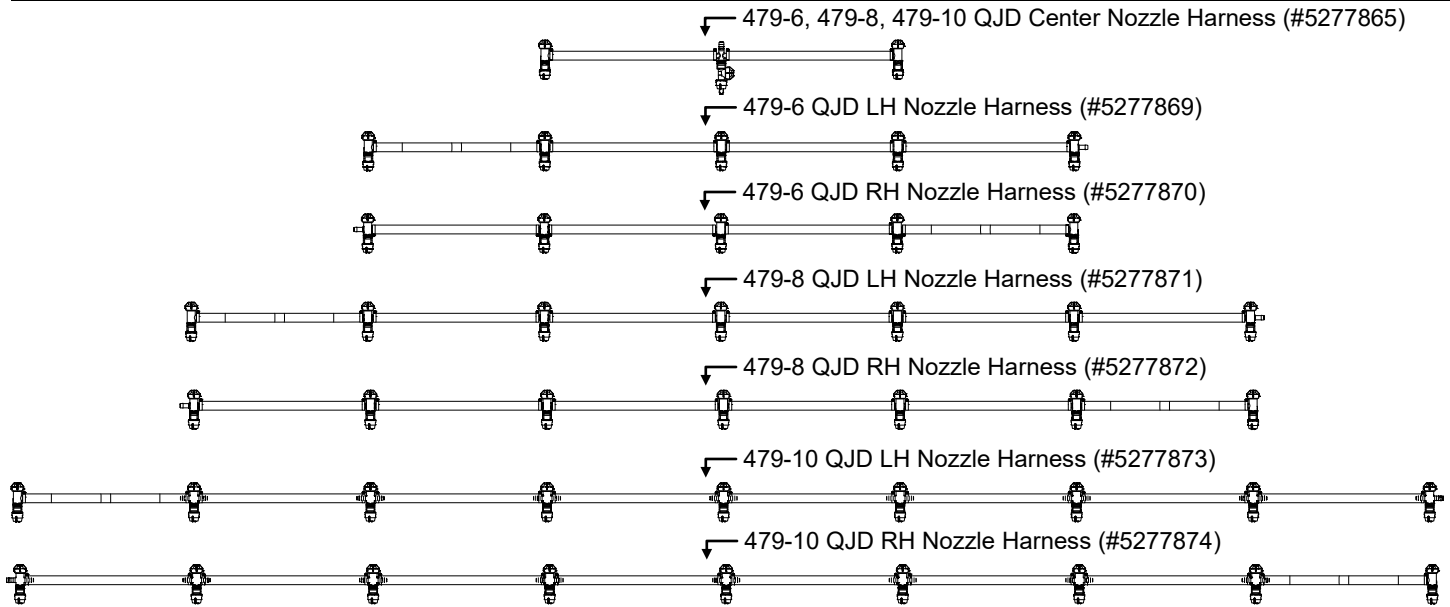
Back Rack Detail



479 Boom Assembly Component Breakdown & Parts List

Ref. #	Part #	Description	479-6-8771	479-8-8771	479-10-8771
1	5275257	Center Frame Assembly	1	1	1
1.1	5274903	Boom Center Frame Weldment	1	1	1
1.2	5034107	3/8" x 4" Eyebolt, Turned, Zinc-Plated	2	2	2
1.3	5006054	3/8"-16 Hex Nut	4	4	4
2	5275255	1st Outer Boom Assembly	2	2	2
2,1	5274904	First Outer Boom	1	1	1
2,2	5274906	Boom Link Weldment	1	1	1
2,3	5274907	Hinge Plate Weldment	1	1	1
2,4	5274908	Pivot Weldment	1	1	1
2,5	5274909	Pivot Link Weldment	1	1	1
2,6	5274910	Upper Pivot Weldment	1	1	1
2,7	5006365	1/2"-13nc Hex Flanged Toplock Nut Gr. 8	1	1	1
2,8	5006345	3/8"-16nc Hex Flanged Toplock Nut Gr. 5	6	6	6
2,9	5034777	Fling HH Bolt 3/8"-16 X 1 1/2"	2	2	2
2.10	5034592	H.H.C.S. Flanged 3/8"-16nc x 1 1/4"	1	1	1
2.11	5034665	H.H.C.S. Flanged 3/8"-16nc x 2"	3	3	3
2.12	5034701	H.H.C.S. Flanged 1/2"-13nc x 3 3/4"	1	1	1
2.13	5095165	Slide Tab	2	2	2
2.14	5101077	Cotter Pin, 1/8" x 1"	2	2	2
2.15	5101263	Hinge Pin	1	1	1
3	5274905	Outer Boom Weldment (28' Boom)	--	2	--
4	5274913	Outer Boom Weldment (35' Boom)	--	--	2
5	5275258	Boom Stand	1	1	1
5.1	5274911	Boom Stand Weldment	1	1	1
5.2	5274961	Lock Pin Weldment	1	1	1
5.3	5034159	Square U-Bolt, 5/16" x 1 5/16" x 1 7/8"	2	2	2
5.4	5006307	5/16"-18 Hex Whiz (Flange) Locknut	4	4	4
5.5	5101065	#211 Hitch Pin Clip (Zinc Plated)	1	1	1
6	5022255	Boom Upright Angle	2	2	2
7	5038771	Boom Adapter Bracket	2	2	2
8	5034691	H.H.C.S. Flanged 1/2"-13nc x 1 1/4"	8	8	8
9	5006365	1/2"-13nc Hex Flanged Toplock Nut Gr. 8	8	8	8
10	5019259	Boom Spring	2	2	2
11	5034159	Square U-Bolt, 5/16" x 1 5/16" x 1 7/8"	5	5	5
12	5006307	5/16"-18 Hex Whiz (Flange) Locknut	10	10	10
13	5278772	Boom Retainer Weldment	1	1	1
14	5101302	D-Ring Lock Pin, 5/16" Dia. x 2-3/4"	1	1	1
15	5034672	H.H.C.S. Flanged 3/8"-16nc x 3 3/4"	--	4	4
16	5006345	3/8"-16nc Hex Flanged Toplock Nut Gr. 5	--	4	4
17	5277869	LH Nozzle Harness (479-6-QJD)	1	--	--
18	5277871	LH Nozzle Harness (479-8-QJD)	--	1	--
19	5277873	LH Nozzle Harness (479-10-QJD)	--	--	1
20	5277865	Center Nozzle Harness (479-6, 8, 10-QJD)	1	1	1
21	5277870	RH Nozzle Harness (479-6-QJD)	1	--	--
22	5277872	RH Nozzle Harness (479-8-QJD)	--	1	--
23	5277874	RH Nozzle Harness (479-10-QJD)	--	--	1

479 Harness Assembly Component Breakdown & Parts List



NOTES:
All hoses in this boom assembly are part #5020569 (Item 1)

All hose clamps (2 per hose) are #5051114 (Item 2)

Ref. #	Part #	Description	479-6	479-8	479-10
1	5020569	Hose, 1/2"-1 Brd. x 19 3/8"	10	14	18
2	5051114	Hose Clamp (3/8"-1/2")	20	28	36
3	5056086	Vari-Quick "End" Nozzle Assembly	4	4	4
4	5056089	Vari-Quick "Tee" Nozzle Assembly	8	12	16
5	5056075	Vari-Quick "Cross" Nozzle Assembly	1	1	1
6	5116019	Nozzle Strainer, Red (50 Mesh)	13	17	21
7	5016157	Seat Washer (QJ Caps)	13	17	21
8	AIXR11003VP	Air-Induction XR Flat Spray Tip	13	17	21
9	5046217	QJ Cap Only (Blue)	13	17	21
10	5272165	Vari-Quick Clamp (1 1/4" Sq. Tube)	13	17	21

Spray Tip Rate Chart (20" Spacing)

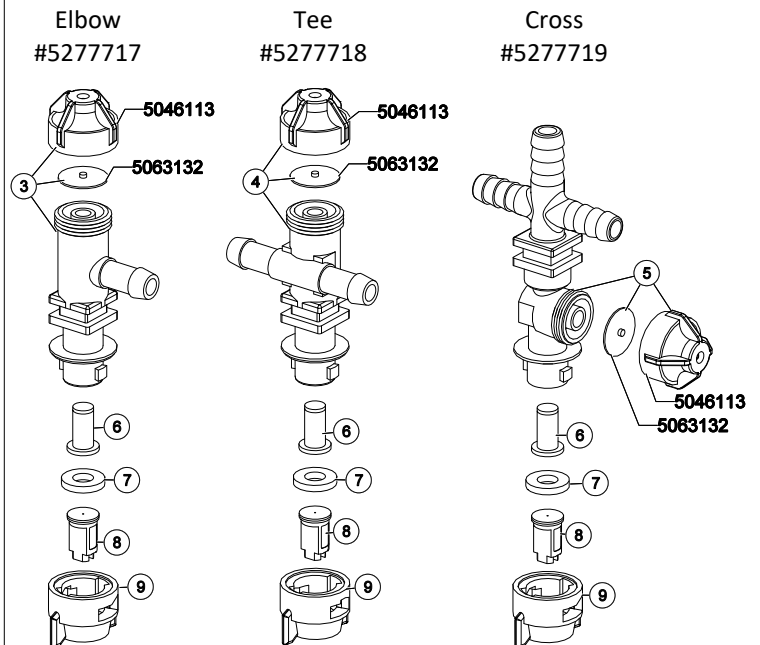
Tip No.	Pressure (psi)	Capacity (GPM)	Gallons Per Acre - Based on Water							
			1 MPH	2 MPH	3 MPH	4 MPH	5 MPH	6 MPH	8 MPH	
AIXR11003VP	15	.18	53.6	26.8	17.8	13.4	10.7	8.9	6.7	
	20	.21	62.4	31.2	20.8	15.6	12.5	10.4	7.8	
	30	.26	77.2	38.6	25.8	19.3	15.4	12.9	9.7	
	40	.30	88.0	44.0	29.8	22.0	17.8	14.9	11.1	
Tip No.	Pressure (psi)	Capacity (GPM)	Gallons Per 1000 Sq. Ft. - Based on Water							
			1 MPH	2 MPH	3 MPH	4 MPH	5 MPH	6 MPH	8 MPH	
AIXR11003VP	15	.18		.61	.41	.31	.24			
	20	.21		.71	.48	.36	.29			
	30	.26		.88	.59	.44	.35			
	40	.30		1.0	.68	.51	.41			

The AIXR TeeJet Flat Spray Tip offers the benefits of obtaining excellent drift resistance without compromising spray coverage. Tips producing very coarse droplets do minimize drift but do not provide the same surface coverage as tips that produce smaller droplets. In some applications, inadequate coverage decreases the effectiveness of the applied chemicals.

AIXR Features and Benefits

- 110° wide, tapered flat spray angle with air induction technology for better drift management
- Made of 2-piece UHMWPE polymer construction which provides excellent chemical resistance, including acids, as well as exceptional wear life
- Compact size to prevent tip damage
- Removable pre-orifice
- Excellent for systemic products and drift management

Typical Nozzle Assembly Configurations



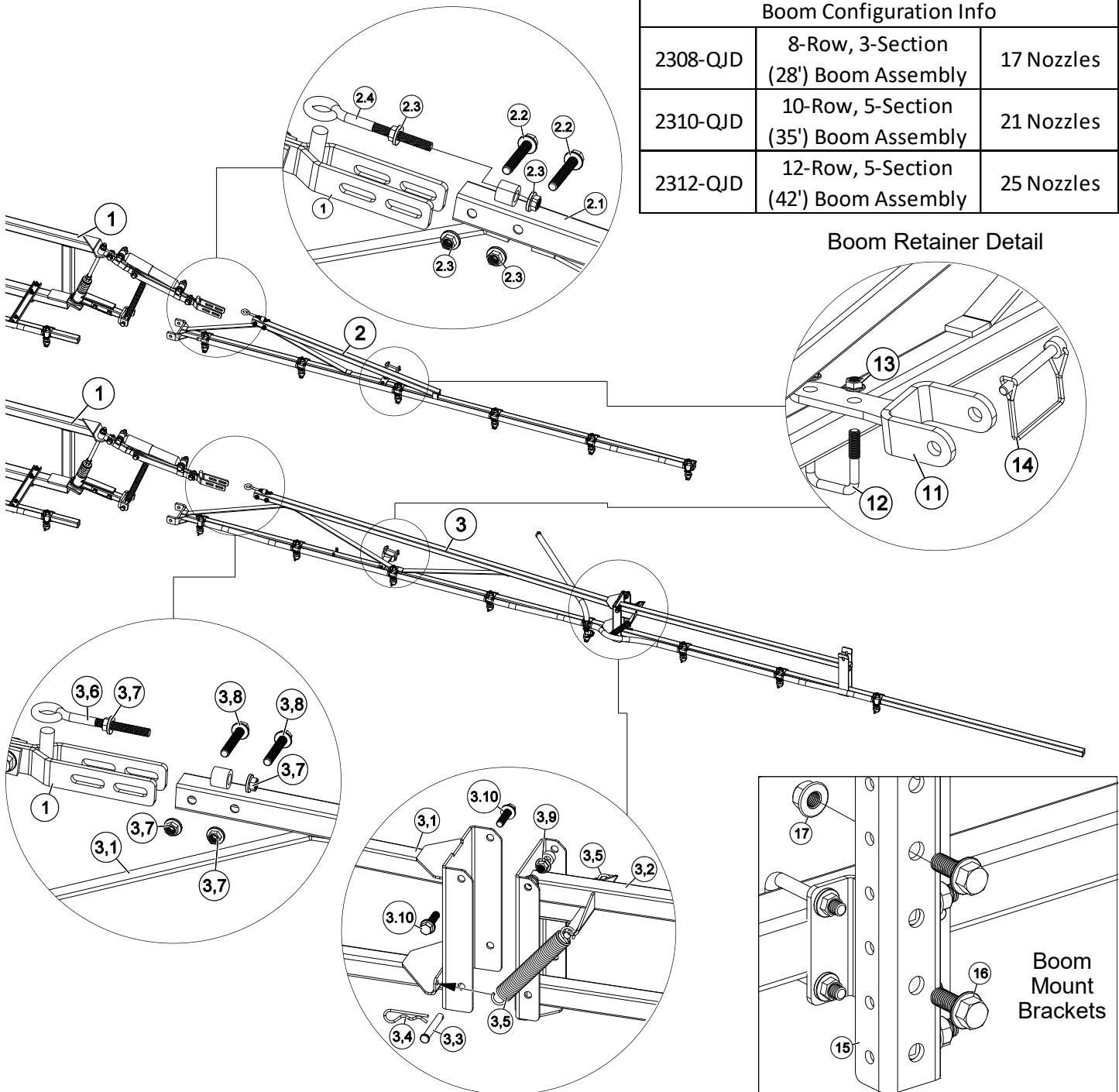
Nozzle Assemblies consist of "Elbow", "Tee" & "Cross" style nozzles.

Assemblies include: Nozzle Body, Strainer, Seat Washer, AIXR11003VP Nozzles & Nozzle Cap

2300 Boom Assembly Component Breakdown & Parts List

Ref. #	Part #	Description	2308	2310	2312
1	5300325	Back Rack Assembly	1	1	1
2	5300189	2308 Series Outer Boom Assembly	2	--	--
2.1	5272076	End Boom (8-Row)	1	--	--
2.2	5034666	H.H.C.S. Flanged 3/8"-16nc x 2 1/4 "	2	--	--
2.3	5006259	3/8"-16 Hex Whiz (Flange) Locknut	4	--	--
2.4	5034107	3/8" x 4" Eyebolt, Turned, Zinc-Plated	1	--	--
3	5277922	2310 & 2312 Series Outer Boom Assembly	--	2	2
3.1	5272230	Wing Boom Weldment	--	1	1
3.2	5272232	End Boom Weldment	--	1	1
3.3	5101064	Clevis Pin, 3/8" Dia. x 2 5/8"	--	1	1
3.4	5101065	#211 Hitch Pin Clip (Zinc Plated)	--	1	1
3.5	5019143	Extension Spring	--	2	2
3.6	5034107	3/8" x 4" Eyebolt, Turned, Zinc-Plated	--	1	1
3.7	5006259	3/8"-16 Hex Whiz (Flange) Locknut	--	4	4
3.8	5034666	H.H.C.S. Flanged 3/8"-16nc x 2 1/4 "	--	2	2
3.9	5006345	3/8-16nc Hex Flanged Toplock Nut Gr. 5	--	2	2

Ref. #	Part #	Description	2308	2310	2312
3.10	5034663	H.H.C.S. Flanged 3/8"-16nc x 1 1/2"	--	2	2
4	5277852	LH Nozzle Harness Assembly (8-Row QJD)	1	--	--
5	5277856	LH Nozzle Harness Assembly (10-Row QJD)	--	1	--
6	5277858	LH Nozzle Harness Assembly (12- Row QJD)	--	--	1
7	5277767	Center Nozzle Harness Assembly (QJD - 1/2")	1	1	1
8	5277853	RH Nozzle Harness Assembly (8-Row QJD)	1	--	--
9	5277857	RH Nozzle Harness Assembly (10- Row QJD)	--	1	--
10	5277859	RH Nozzle Harness Assembly (12-Row QJD)	--	--	1
11	5278772	Boom Retainer Weldment	1	1	1
12	5034159	Square U-Bolt, 5/16" x 1 5/16" x 1 7/8"	1	1	1
13	5006307	5/16-18nc Hex Flanged Whiz Nut Gr. 5	2	2	2
14	5101302	D-Ring Lock Pin, 5/16" Dia. x 2-3/4"	1	1	1
15	5038771	Boom Adapter Bracket	2	2	2
16	5034691	H.H.C.S. Flanged 1/2"-13nc x 1 1/4"	4	4	4
17	5006365	1/2-13nc Hex Flanged Toplock Nut Gr. 8	4	4	4

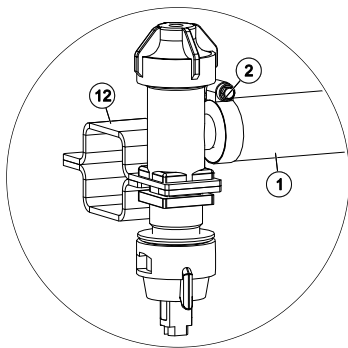
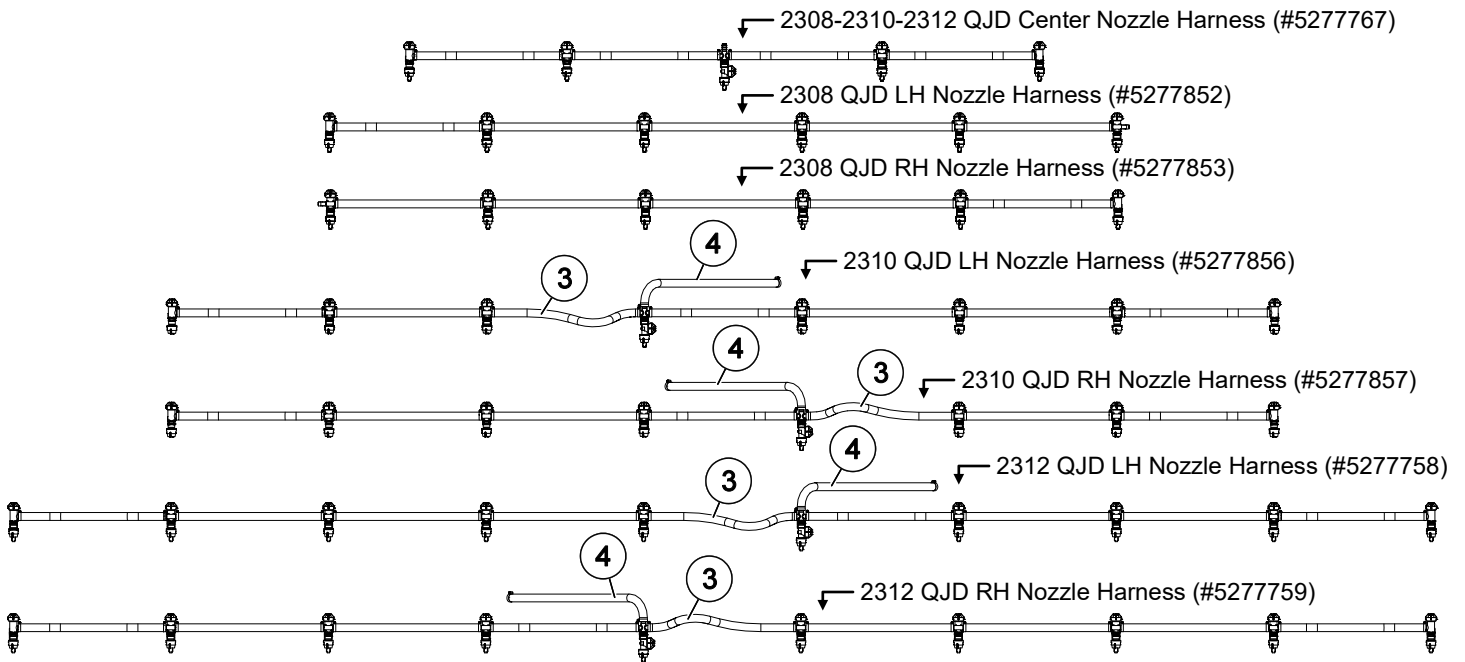


Boom Configuration Info		
2308-QJD	8-Row, 3-Section (28') Boom Assembly	17 Nozzles
2310-QJD	10-Row, 5-Section (35') Boom Assembly	21 Nozzles
2312-QJD	12-Row, 5-Section (42') Boom Assembly	25 Nozzles

Boom Retainer Detail

Boom Mount Brackets

2300 Boom Assembly Component Breakdown & Parts List



NOTES:
All hoses that are not called out, will be hose #5020416 (Item 1)

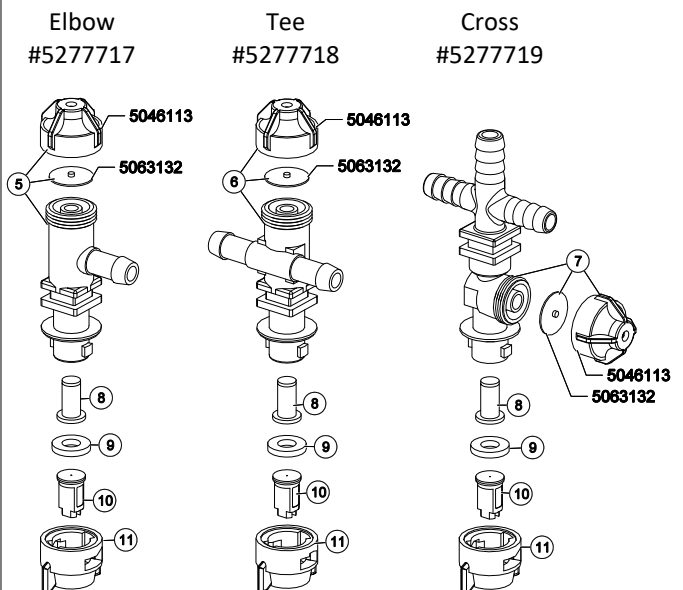
All hose clamps (2 per hose) are #5051114 (Item 2)

Ref. #	Part #	2308	2310	2312	Description
1	5020416	14	16	20	Hose, 1/2"-1 Brd. x 19 3/8"
2	5051114	28	40	48	Hose Clamp, 1/2"
3	5020009	-	2	2	Hose, 1/2"-1 Brd. x 26"
4	5020124	-	2	2	Hose, 1/2"-1 Brd. x 8 Ft.
5	5056086	4	6	6	Vari-Quick "End" Nozzle Assembly
6	5056089	12	12	16	Vari-Quick "Tee" Nozzle Assembly
7	5056075	1	3	3	Vari-Quick "Cross" Nozzle Assembly
8	5116019	17	21	25	Nozzle Strainer, Red (50 Mesh)
9	5016157	17	21	25	Seat Washer (QJ Caps)
10	AIXR11003VP	17	21	25	Air-Induction XR Flat Spray Tip
11	5046217	17	21	25	QJ Cap Only (Blue)
12	5272165	17	21	25	Vari-Quick Clamp (1 1/4" Sq. Tube)

Spray Tip Rate Chart (20" Spacing)

Tip No.	Pressure (psi)	Capacity (GPM)	Gallons Per Acre - Based on Water							
			1 MPH	2 MPH	3 MPH	4 MPH	5 MPH	6 MPH	8 MPH	
AIXR11003VP	15	.18	53.6	26.8	17.8	13.4	10.7	8.9	6.7	
	20	.21	62.4	31.2	20.8	15.6	12.5	10.4	7.8	
	30	.26	77.2	38.6	25.8	19.3	15.4	12.9	9.7	
	40	.30	88.0	44.0	29.8	22.0	17.8	14.9	11.1	
Tip No.	Pressure (psi)	Capacity (GPM)	Gallons Per 1000 Sq. Ft. - Based on Water							
			1 MPH	2 MPH	3 MPH	4 MPH	5 MPH	6 MPH	8 MPH	
AIXR11003VP	15	.18		.61	.41	.31	.24			
	20	.21		.71	.48	.36	.29			
	30	.26		.88	.59	.44	.35			
	40	.30		1.0	.68	.51	.41			

Typical Nozzle Assembly Configurations



Nozzle Assemblies consist of "Elbow", "Tee" & "Cross" style nozzles.

Assemblies include: Nozzle Body, Strainer, Seat Washer, AIXR11003VP Nozzles & Nozzle Cap

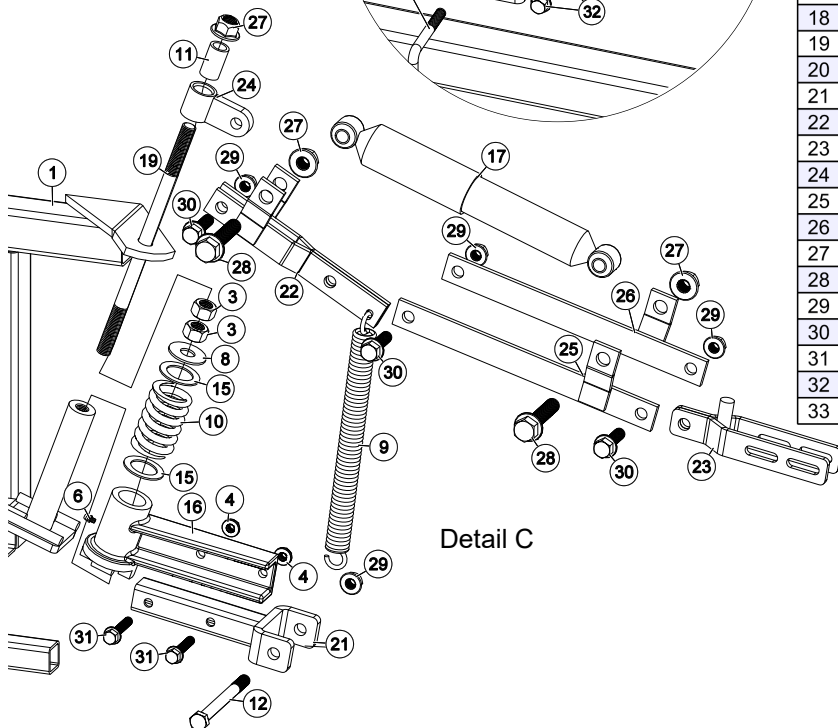
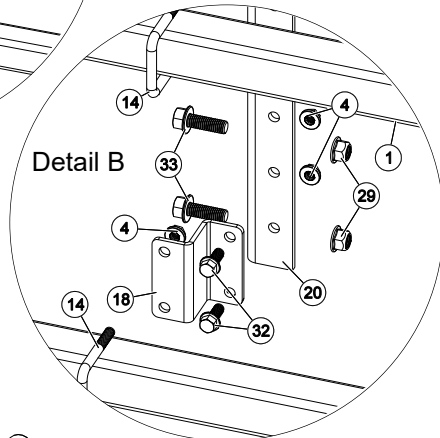
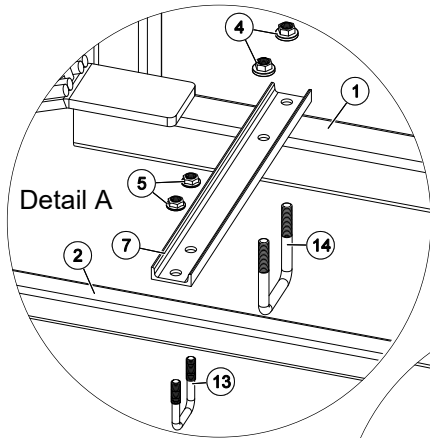
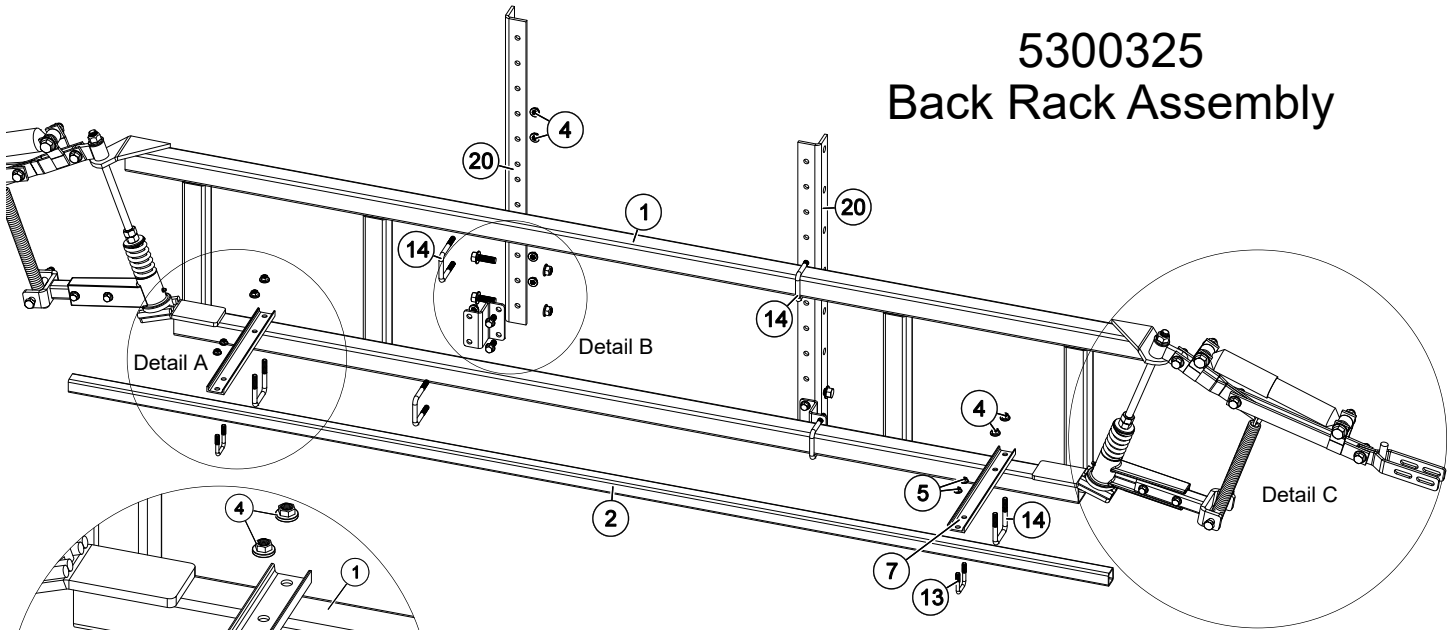
The AIXR TeeJet Flat Spray Tip offers the benefits of obtaining excellent drift resistance without compromising spray coverage. Tips producing very coarse droplets do minimize drift but do not provide the same surface coverage as tips that produce smaller droplets. In some applications, inadequate coverage decreases the effectiveness of the applied chemicals.

AIXR Features and Benefits

- 110° wide, tapered flat spray angle with air induction technology for better drift management
- Made of 2-piece UHMWPE polymer construction which provides excellent chemical resistance, including acids, as well as exceptional wear life
- Compact size to prevent tip damage
- Removable pre-orifice
- Excellent for systemic products and drift management

2300 Boom Assembly Component Breakdown & Parts List

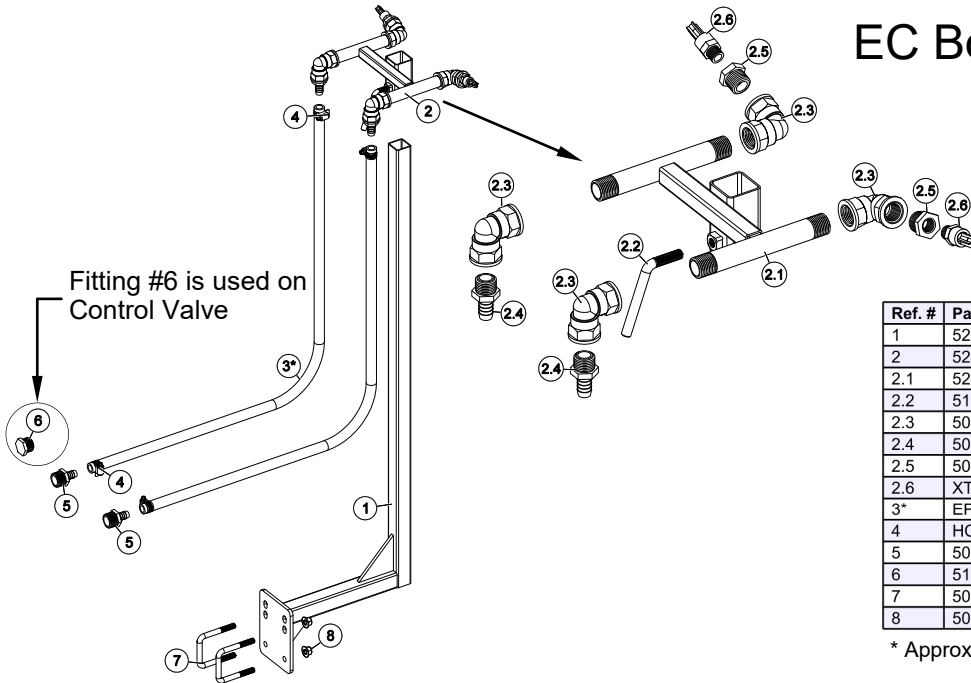
5300325 Back Rack Assembly



Ref. #	Part #	Description	Qty
1	5272327	Center Frame Weldment (2300 Series Boom)	1
2	5009253	Boom Tube	1
3	5006096	5/8"-11 Hex Nut	4
4	5006259	3/8"-16 Hex Whiz (Flange) Locknut	20
5	5006307	5/16"-18 Hex Whiz (Flange) Locknut	4
6	5012003	Grease Zerk, 3/16" Straight Drive	2
7	5013171	Boom Channel	2
8	5016053	Flatwasher, 5/8"	2
9	5019097	Hinge Spring	2
10	5019135	Compression Spring	2
11	5031090	Bearing	2
12	5034143	H.H.C.S., 1/2"-13 x 5 1/2"	2
13	5034159	Square U-Bolt, 5/16" x 1 5/16" x 1 7/8"	2
14	5034188	Square U-Bolt, 3/8" Dia. x 2 1/8" x 2 7/8"	6
15	5041041	Machinery Bushing, 1 1/4" ID x 1 7/8" OD	4
16	5080017	Cast Hinge	2
17	5103008	Shock Absorber	2
18	5127074	Spacer	2
19	5134031	Full Thread Stud, 5/8"-11 x 12"	2
20	5144030	Upright	2
21	5272078	Connector Weldment	2
22	5272080	Upper Link Weldment	2
23	5272113	Adjuster Weldment	2
24	5277939	Collar Weldment	2
25	5272330	Link Weldment (R.H.)	2
26	5272331	Link Weldment (L.H.)	2
27	5006364	5/8-11nc Hex Flanged Toplock Nut Gr. 8	6
28	5034724	H.H.C.S. Flanged 5/8"-11nc x 3" Long	4
29	5006365	1/2-13nc Hex Flanged Toplock Nut Gr. 8	12
30	5034693	H.H.C.S. Flanged 1/2"-13nc x 1 3/4" Long	6
31	5034665	H.H.C.S. Flanged 3/8"-16nc x 2" Long	4
32	5117307	H.H.C.S. Flanged 3/8"-16nc x 1" Long	4
33	5034692	H.H.C.S. Flanged 1/2"-13nc x 1 1/2" Long	4

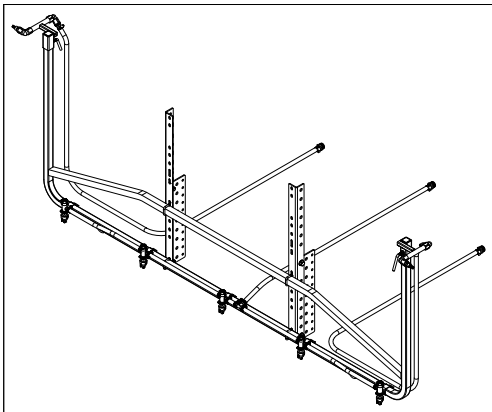
Component Breakdown & Parts List

EC Boom Buster Assembly #5276517



Ref. #	Part #	Description	Qty
1	5274476	'BoomBuster' Bracket Weldment	1
2	5281038	Boom Buster Sub-Assembly XT024 Tips	1
2.1	5274477	Adjustable Slide Weldment	1
2.2	5117259	Handle Screw	1
2.3	5010236	Poly Elbow, 1/2" FNPT x 1/2" FNPT	4
2.4	5067131	Poly Fitting, 1/2" MNPT x 1/2" HB	2
2.5	5041073	Poly Reducing Bushing, 1/2" MNPT x 1/4" FNPT	2
2.6	XT024	XT024 Tip (1/4NPT)	2
3*	EPDM12	Hose, 1/2" EPDM, 200PSI (28' Length)	1
4	HC08	Hose Clamp, 1/2"	4
5	5067125	Poly Fitting, 3/4" MNPT x 1/2" HB	2
6	5102071	Poly Pipe Plug, 3/4" MNPT	1
7	5034188	Square U-Bolt, 3/8" Dia. x 2 1/8" x 2 7/8"	2
8	5006366	3/8-16nc Hex Flanged Toplock Nut Gr. 8	4

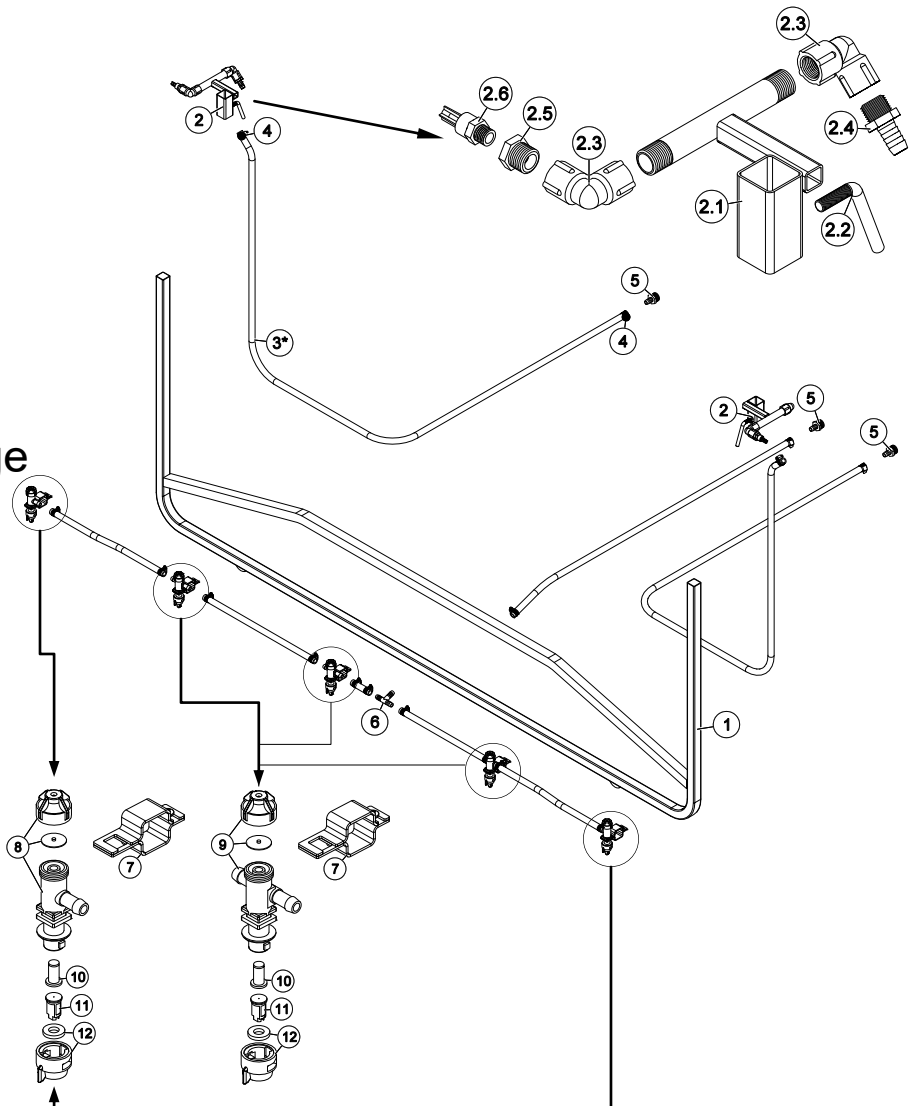
* Approx. Length of all hoses combined



Longhorn Extended Range Boom-Kit Assembly #5276740

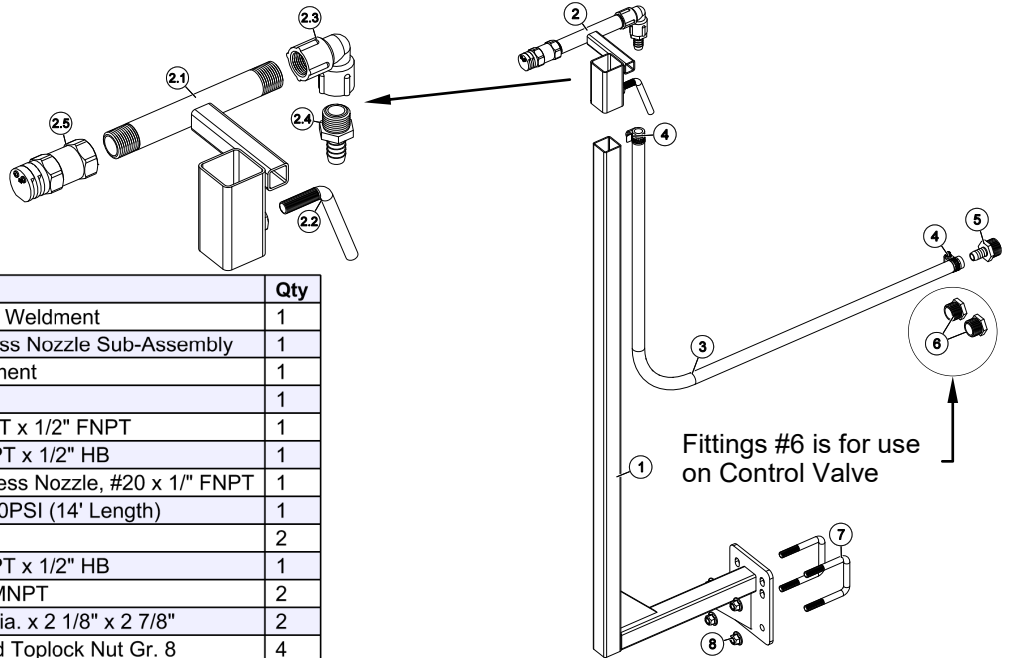
Ref. #	Part #	Description	Qty
1	5278111	Longhorn Boom Weldment	1
2	5281037	Longhorn Boomless Tip Mount Subassembly	2
2.1	5278112	Sprayer Mount Weldment	1
2.2	5117259	Handle Screw	1
2.3	5010236	Poly Elbow, 1/2" FNPT x 1/2" FNPT	2
2.4	5067131	Poly Fitting, 1/2" MNPT x 1/2" HB	1
2.5	5041073	Poly Reducing Bushing, 1/2" MNPT x 1/4" FNPT	1
2.6	XT024	XT024 Tip (1/4NPT)	1
3*	EPDM12	Hose, 1/2" EPDM, 200PSI (60' Length)	1
4	HC08	Hose Clamp, 1/2"	16
5	5067125	Poly Fitting, 3/4" MNPT x 1/2" HB	3
6	5086026	Poly Hose Tee, 1/2" HB	1
7	5272165	Vari-Quick Clamp (1 1/4" Sq. Tube)	5
8	5056086	Vari-Quick "End" Nozzle Assembly	2
8.1	5056086	Nozzle Body (Elbow)	1
8.2	5063132	Diaphragm, EPDM Rubber w/whipple	1
8.3	5046113	End Cap Sub-Assembly (10 psi)	1
9	5056089	Vari-Quick "Tee" Nozzle Assembly	3
9.1	5056089	Nozzle Body (Tee)	1
9.2	5063132	Diaphragm, EPDM Rubber w/whipple	1
9.3	5046113	End Cap Sub-Assembly (10 psi)	1
10	5116019	Nozzle Strainer, Red (50 Mesh)	5
11	AIXR110025VP	Air-Induction XR Flat Spray Tip (AIXR110025VP)	5
12	5046096	Quick TeeJet Cap (Yellow) & Washer	5
12.1	5046219	Quick TeeJet Cap ONLY (Yellow)	1
12.2	5016157	Seat Washer (QJ Caps)	1

* Approx. Length of all hoses combined

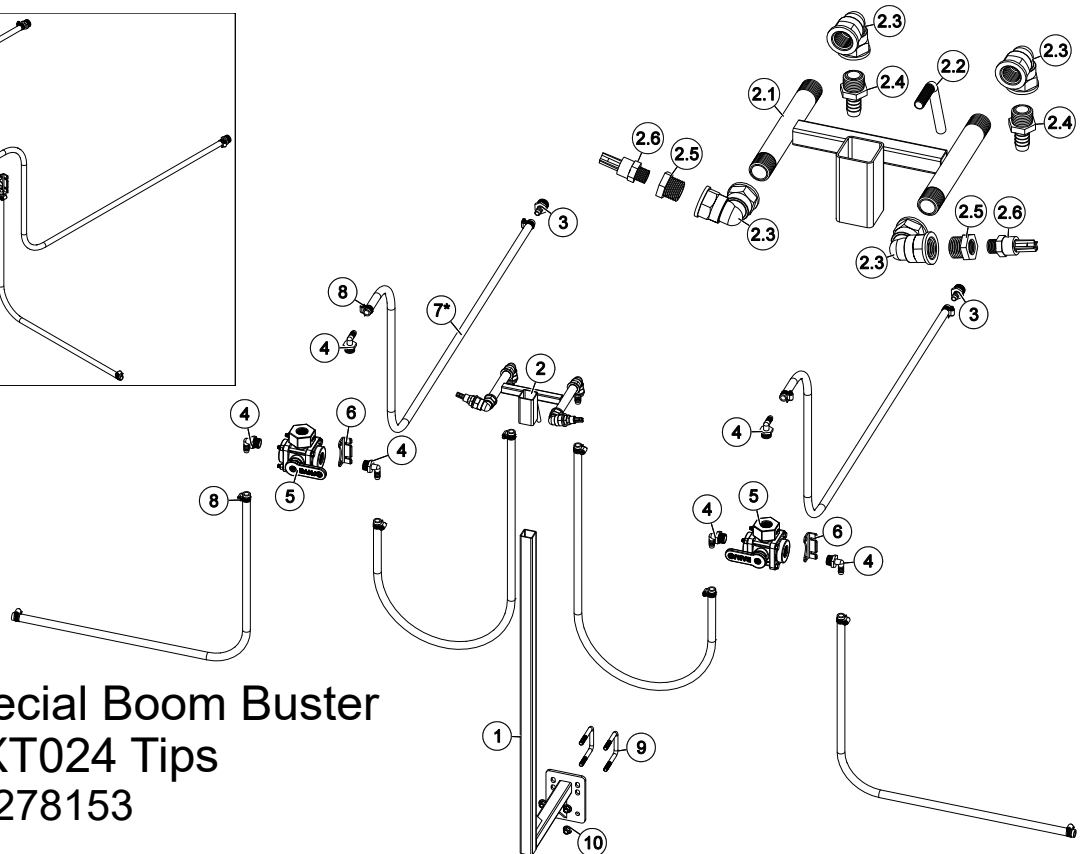
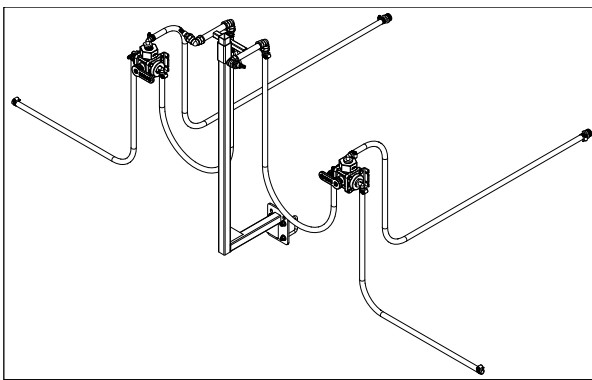


Component Breakdown & Parts List

Rooster Kit w/#20 Hamilton Nozzle #5302330



Ref. #	Part #	Description	Qty
1	5274476	'BoomBuster' Bracket Weldment	1
2	5281039	Hamilton #20 Boomless Nozzle Sub-Assembly	1
2.1	5278112	Sprayer Mount Weldment	1
2.2	5117259	Handle Screw	1
2.3	5010236	Poly Elbow, 1/2" FNPT x 1/2" FNPT	1
2.4	5067131	Poly Fitting, 1/2" MNPT x 1/2" HB	1
2.5	654201	W.L. Hamilton Boomless Nozzle, #20 x 1/1" FNPT	1
3	EPDM12	Hose, 1/2" EPDM, 200PSI (14' Length)	1
4	HC08	Hose Clamp, 1/2"	2
5	5067125	Poly Fitting, 3/4" MNPT x 1/2" HB	1
6	5102071	Poly Pipe Plug, 3/4" MNPT	2
7	5034188	Square U-Bolt, 3/8" Dia. x 2 1/8" x 2 7/8"	2
8	5006366	3/8-16nc Hex Flanged Toplock Nut Gr. 8	4



Oklahoma Special Boom Buster Kit w/XT024 Tips #5278153

Ref. #	Part #	Description	Qty
1	5274476	'BoomBuster' Bracket Weldment	1
2	5281038	Boom Buster Sub-Assembly XT024 Tips	1
2.1	5274477	Adjustable Slide Weldment	1
2.2	5117259	Handle Screw	1
2.3	5010236	Poly Elbow, 1/2" FNPT x 1/2" FNPT	4
2.4	5067131	Poly Fitting, 1/2" MNPT x 1/2" HB	2
2.5	5041073	Poly Reducing Bushing, 1/2" MNPT x 1/4" FNPT	2
2.6	XT024	XT024 Tip (1/4NPT)	2
3	5067125	Poly Fitting, 3/4" MNPT x 1/2" HB	2

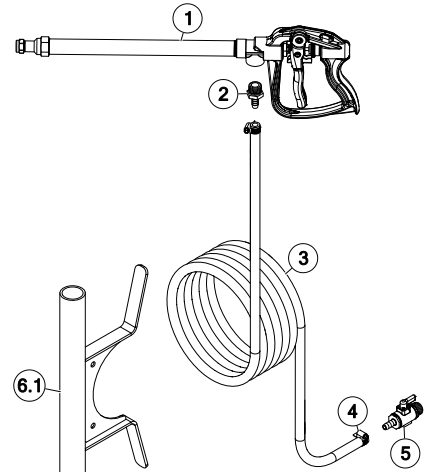
Ref. #	Part #	Description	Qty
4	5010207	Poly Elbow, 3/4" MNPT x 1/2" HB	6
5	BJSLV075	Banjo 3-Way Side Load Valve (3/4")	2
6	V10271	Banjo 90° Mounting Bracket	2
7*	EPDM12	Hose, 1/2" EPDM, 200PSI (66' Length)	1
8	HC08	Hose Clamp, 1/2"	12
9	5034188	Square U-Bolt, 3/8" Dia. x 2 1/8" x 2 7/8"	2
10	5006366	3/8-16nc Hex Flanged Toplock Nut Gr. 8	4

* Approx. Length of all hoses combined

Component Breakdown & Parts List

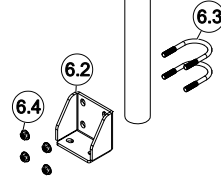
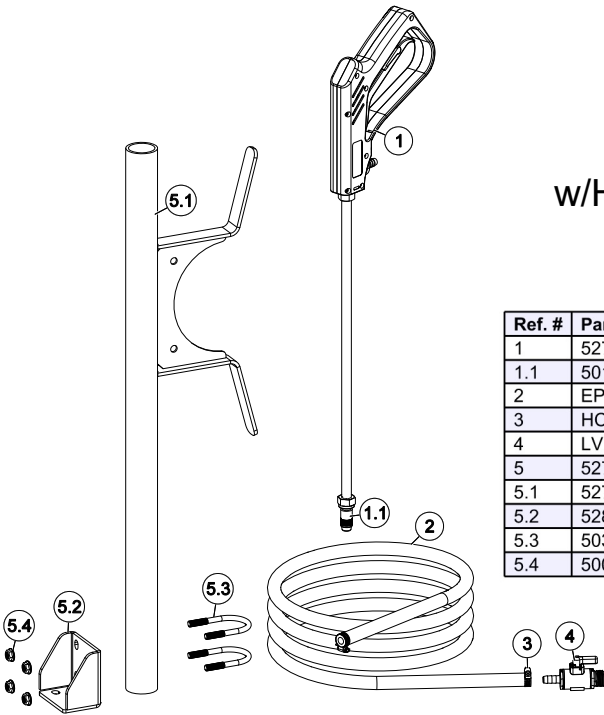
SAS300E-22PS-KIT 22" Pro Series Handgun Kit w/30' Hose #5281262

Ref. #	Part #	Description	Qty
1	5163136	High Pressure Aluminum Spray Gun 22"	1
2	5067130	Poly Fitting, 1/2" MNPT x 3/8" HB	1
3	EPDM38	Hose, 3/8" x 30' EPDM, 200PSI	1
4	HC06	Hose Clamp, 3/8"	2
5	LVHB038050MTV	Banjo Micro Valve, 3/8" HB x 1/2" MPT, Poly	1
6	5277119	Hose Wrap & Valve Mount Stand	1
6.1	5277118	Hose Wrap & Gun Holder Stand	1
6.2	5095231	Valve Mount	1
6.3	5034123	Round U-Bolt, 5/16"-18 x 2" x 2 11/16"	2
6.4	5006307	5/16"-18 Hex Whiz (Flange) Locknut	4



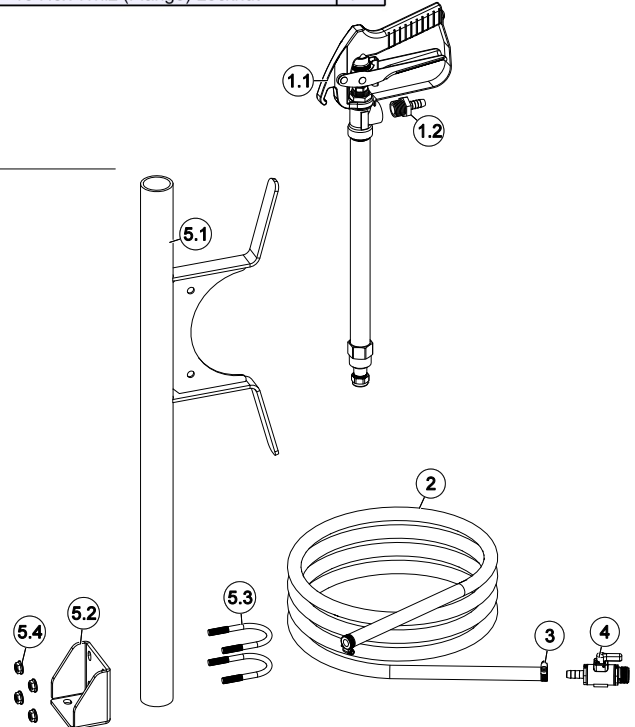
SAS-409-KIT Handgun Kit w/Holder & 25' Hose #5276552

Ref. #	Part #	Description	Qty
1	5273959	Deluxe Pistol-Grip Handgun w/X-26 Tip	1
1.1	5018331	Brass Handgun Tip (X-26)	1
2	EPDM38	Hose, 3/8" - 200 PSI, 25 Ft.	1
3	HC06	Hose Clamp, 3/8"	2
4	LVHB038050MTV	Banjo Poly Micro Valve, 3/8" FPT X 1/2" MPT	1
5	5277119	Hose Wrap & Valve Mount Stand	1
5.1	5277118	Hose Wrap & Gun Holder Stand	1
5.2	5281278	Valve Mount	1
5.3	5034123	Round U-Bolt, 5/16"-18 x 2" x 2 11/16"	2
5.4	5006307	5/16"-18 Hex Whiz (Flange) Locknut	4



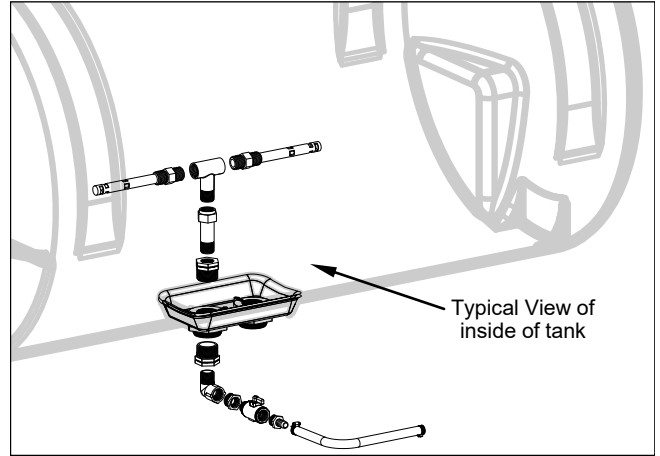
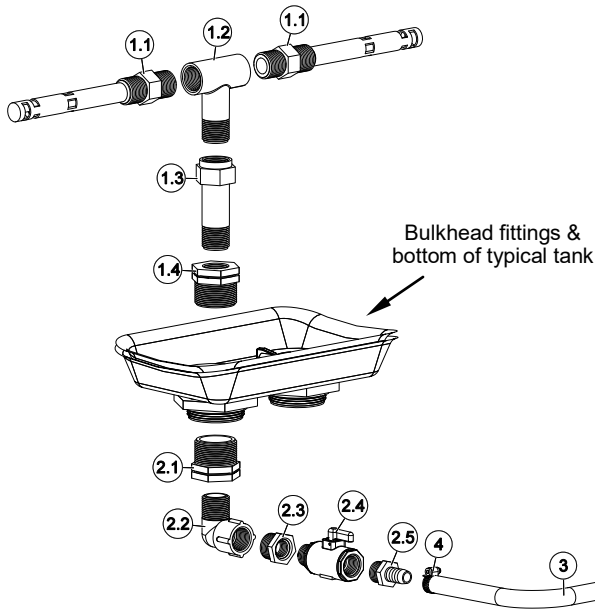
SAS-411-KIT Heavy Duty Handgun Kit w/Holder & 25' Hose #5276553

Ref. #	Part #	Description	Qty
1	5281067	43L Handgun w/3/8" Hose Barb	1
1.1	AA43L-AL6	GunJet Spray Gun (AA43L-AL6)	1
1.2	5067130	Poly Fitting, 1/2" MNPT x 3/8" HB	1
2	EPDM38	Hose, 3/8"-2 Brd. x 25 Ft.	1
3	HC06	Hose Clamp, 3/8"	2
4	LVHB038050MTV	Banjo Poly Micro Valve, 3/8" FPT X 1/2" MPT	1
5	5277119	Hose Wrap & Valve Mount Stand	1
5.1	5277118	Hose Wrap & Gun Holder Stand	1
5.2	5281278	Valve Mount	1
5.3	5034123	Round U-Bolt, 5/16"-18 x 2" x 2 11/16"	2
5.4	5006307	5/16"-18 Hex Whiz (Flange) Locknut	4



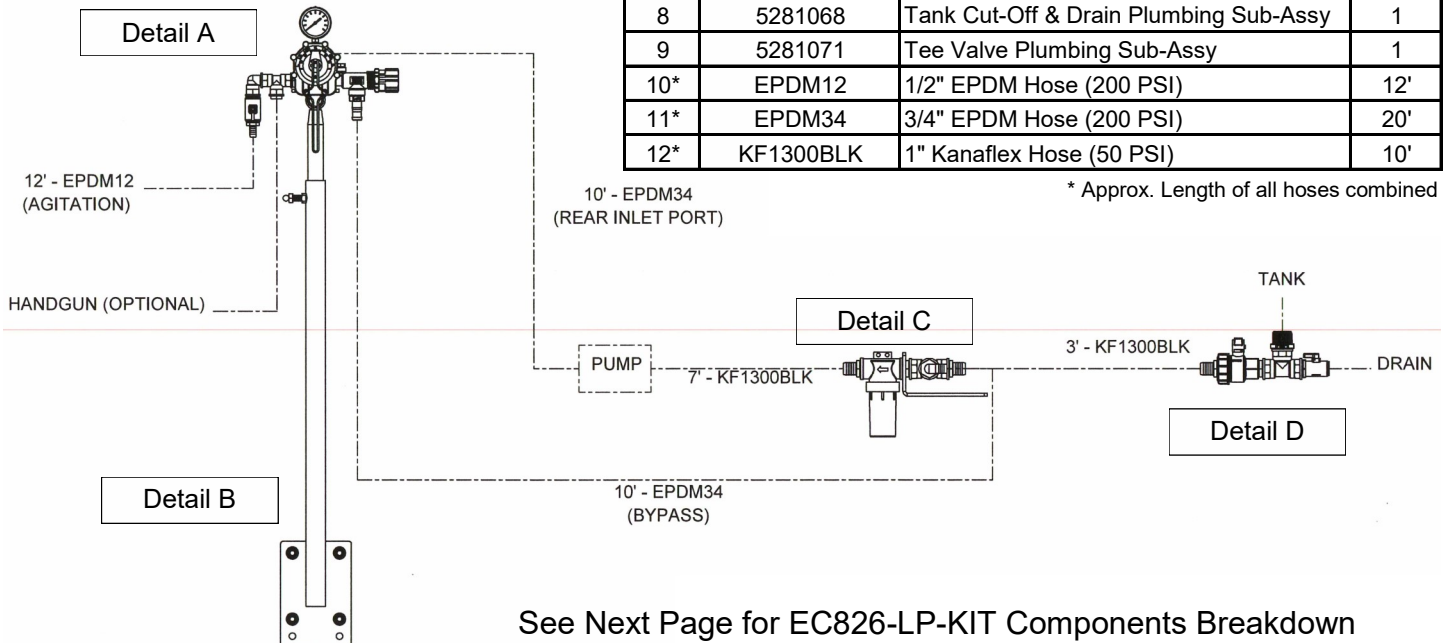
Component Breakdown & Parts List

923-KIT 300 3PT Dual Agitation Kit #5276511



Ref. #	Part #	Description	Qty
1	5278312	Dual Agitation In-Tank Fittings	1
1.1	5014014	3/4" Jet Agitator	2
1.2	3T34TE	3/4" MNNPT x 3/4" FNPT x 3.5" Agitator Extension	1
1.3	5065049	3/4" MNNPT x 3/4" FNPT x 3.5" Agitator Extension	1
1.4	5041081	Poly Reducer Bushing, 1 1/4" MNPT x 3/4" FNPT	1
2	5281069	Outside Tank Agitation Assembly Banjo	1
2.1	5041081	Poly Reducer Bushing, 1 1/4" MNPT x 3/4" FNPT	1
2.2	5010244	Poly Street Elbow, 3/4" FNPT x 3/4" MNPT	1
2.3	5041078	Poly Reducer Bushing, 3/4" MNPT x 1/2" FNPT	1
2.4	BJLV050MTV	1/2" FNPT x 1/2" MNPT Micro Shut-off Valve	1
2.5	5067131	Poly Fitting, 1/2" MNPT x 1/2" HB	1
3	EPDM12	Hose, 1/2" x 4' EPDM	1
4	HC08	Hose Clamp, 1/2"	2

EC826-LP-KIT Manual Boom Control Plumbing Kit (Less Pump) #5276518



Ref. #:	Part #	Description:	Qty.:
1	5277062	Spray Control Support	1
2	5277063	Spray Control Adjustment Stand	1
3	5277064	Spray Control Bar	1
4	5277067	Thraded T-Handle	2
5	5034789	Square U-Bolt, 1/2"-13 x 5 x 3-1/2"	2
6	5006365	1/2"-13nc Hex Flanged Toplock Nut, Gr. 8	4
7	5281042	1" Line Strainer Plumbing Sub-Assy	1
8	5281068	Tank Cut-Off & Drain Plumbing Sub-Assy	1
9	5281071	Tee Valve Plumbing Sub-Assy	1
10*	EPDM12	1/2" EPDM Hose (200 PSI)	12'
11*	EPDM34	3/4" EPDM Hose (200 PSI)	20'
12*	KF1300BLK	1" Kanaflex Hose (50 PSI)	10'

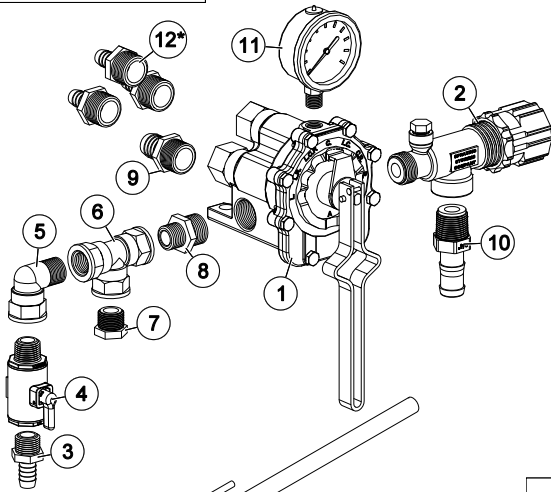
See Next Page for EC826-LP-KIT Components Breakdown

Component Breakdown & Parts List

EC826-LP-KIT Manual Boom Control Plumbing Kit (Less Pump) #5276518

Detail A

Tee Valve Plumbing Sub-Assembly

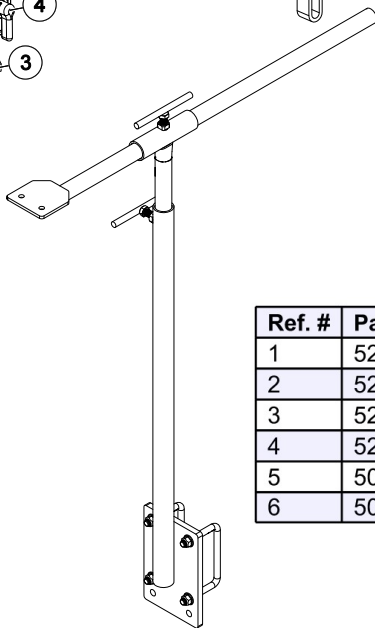


Ref. #	Part #	Description	Qty
1	5143295	Tee Valve Assembly (AA-17L)	1
2	5143199	Pressure Relief Valve, (3/4" NPT)	1
3	5067131	Poly Fitting, 1/2" MNPT x 1/2" HB	1
4	BJLV050MTV	Micro Valve, 1/2" FNPT x 1/2" NPT	1
5	5010243	Poly Street Elbow, (90°) 1/2" MNPT x 1/2" FNPT	1
6	5010230	Poly Tee, 1/2" FNPT	1
7	5102070	Poly Pipe Plug, 1/2" MNPT	1
8	5011147	Poly Reducing Nipple, 3/4" MNPT x 1/2" MNPT	1
9	5067127	Poly Fitting, 3/4" MNPT x 3/4" HB	1
10	5067184	Poly Fitting, 3/4" MNPT x 3/4" HB	1
11	5167080	Gauge, Liquid-Filled, 0-200 PSI	1
12*	5067125	Poly Fitting, 3/4" MNPT x 1/2" HB	3

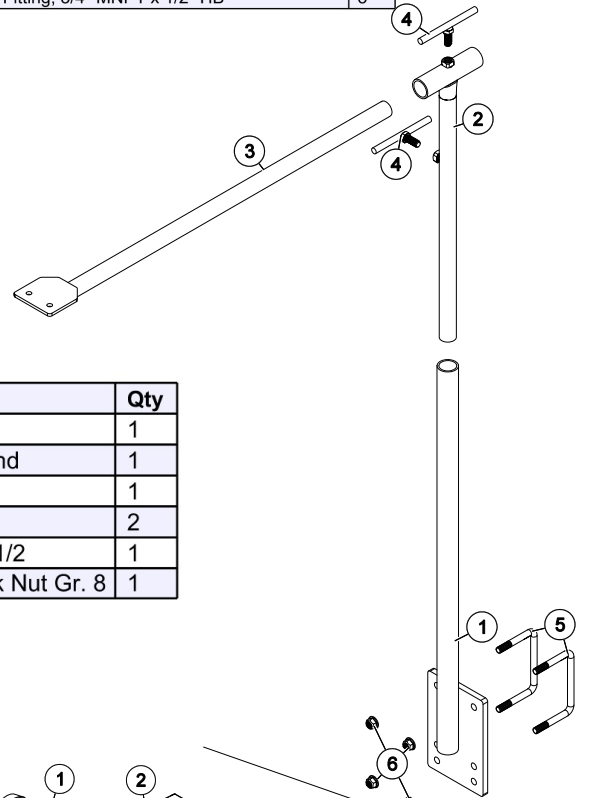
* 1/2" Hose Barb Boom Connections
Not part of the 5281071 Tee Valve Sub

Detail B

Spray Control Stand

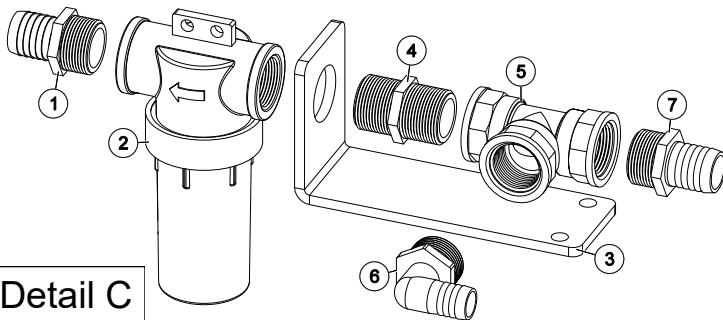


Ref. #	Part #	Description	Qty
1	5277062	Spray Control Support	1
2	5277063	Spray Control Adjustment Stand	1
3	5277064	Spray Control Bar	1
4	5277067	Threaded T-Handle	2
5	5034789	Square U-Bolt, 1/2-13 x 5 x 3 1/2	1
6	5006365	1/2-13nc Hex Flanged Toplock Nut Gr. 8	1



Detail C

1" Line Strainer Plumbing Sub-Assembly (5281042)



Ref. #	Part #	Description	Qty
1	5067118	Poly Fitting, 1" MNPT x 1" HB	1
2	5116352	In-Line Strainer, 1" Poly, 40 Mesh Screen (Black)	1
3	5038782	Filter Mount Bracket	1
4	5011141	Poly Close Nipple, 1" MNPT	1
5	5010232	Poly Tee, 1" FNPT	1
6	5010212	90° Elbow, 1" MPT x 3/4" HB	1
7	5067118	Poly Fitting, 1" MNPT x 1" HB	1

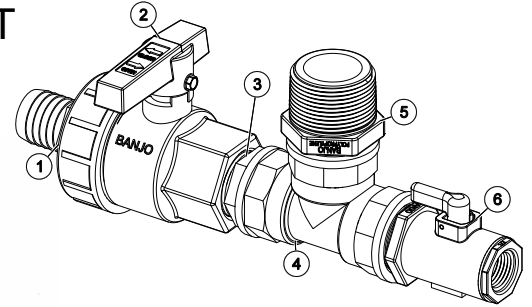
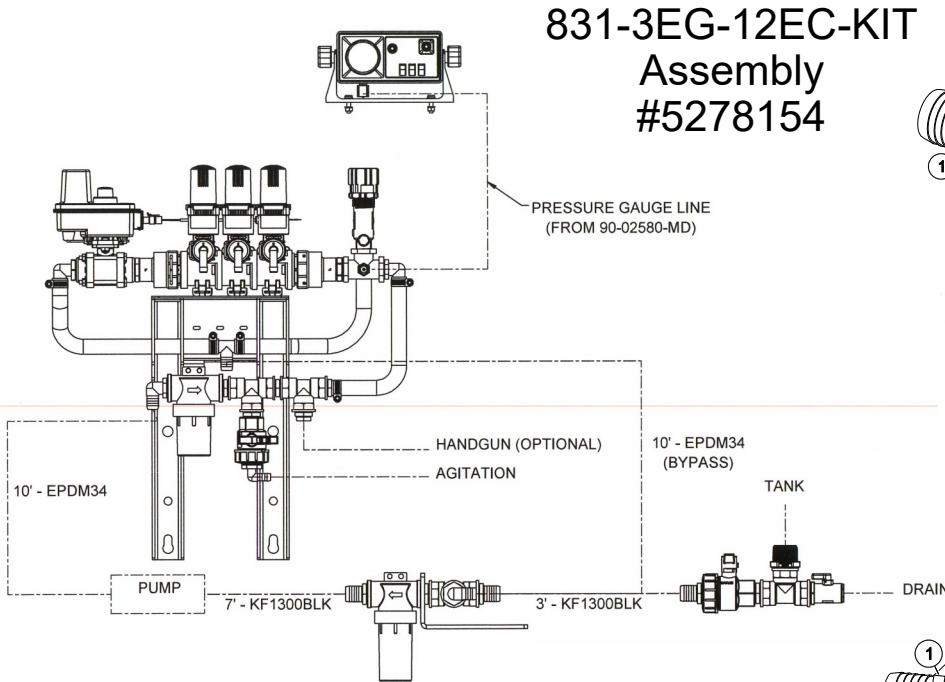
Detail D

Tank Cut-Off & Drain Plumbing Sub-Assembly (5281068)

Ref. #	Part #	Description	Qty
1	5067118	Poly Fitting, 1" MNPT x 1" HB	1
2	BJUV100FP	Banjo 1" Single Union Ball Valve, Poly	1
3	5011141	Poly Close Nipple, 1" MNPT	1
4	5010232	Poly Tee, 1" FNPT	1
5	5011212	Banjo Reducing Nipple, 1 1/4" MPT x 1" MPT	1
6	LV050100MTV	Banjo Micro Valve, 1/2 FNPT x 1" NPT	1

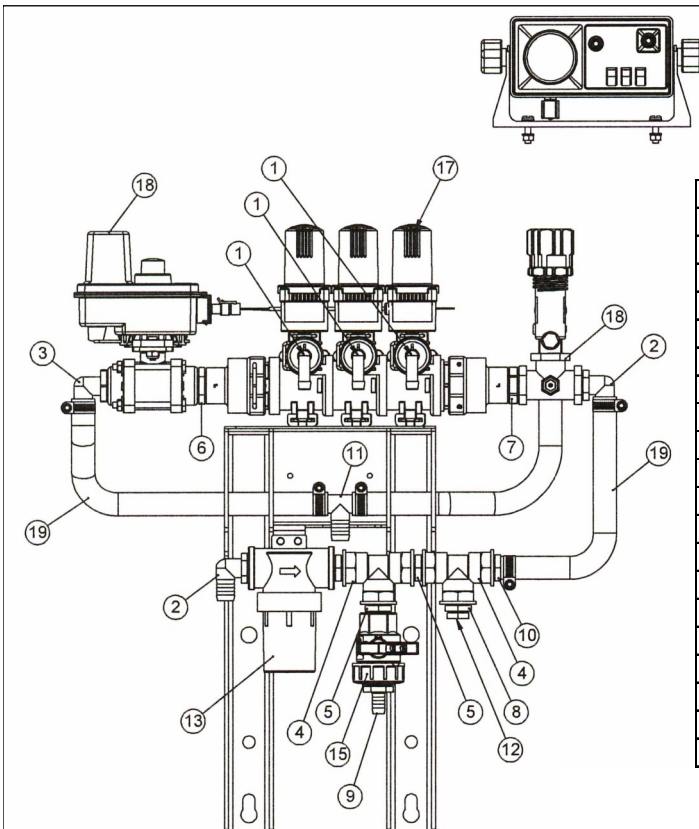
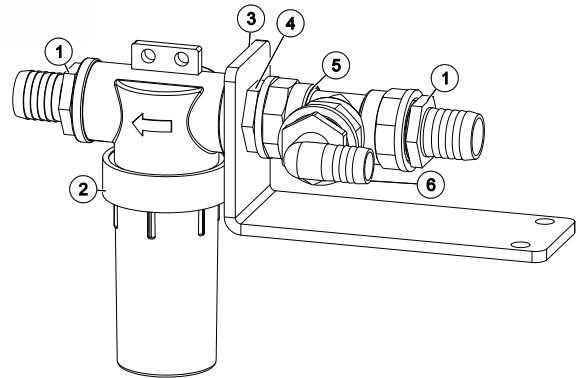
Component Breakdown & Parts List

831-3EG-12EC-KIT Assembly #5278154



Ref. #	Part #	Description	Qty
1	5067118	Poly Fitting, 1" MNPT x 1" HB	1
2	BJUV100FP	Banjo 1" Single Union Ball Valve, Poly	1
3	5011141	Poly Close Nipple, 1" MNPT	1
4	5010232	Poly Tee, 1" FNPT	1
5	5011212	1 1/4" MPT x 1" MPT Reducing Nipple	1
6	LV050100MTV	Banjo Micro Valve, 1/2 FNPT x 1" NPT	1

Ref. #	Part #	Description	Qty
1	5067118	Poly Fitting, 1" MNPT x 1" HB	2
2	5116352	In-Line Strainer, 1" Poly, 40 Mesh Screen (Black)	1
3	5038782	Filter Mount Bracket	1
4	5011141	Poly Close Nipple, 1" MNPT	1
5	5010232	Poly Tee, 1" FNPT	1
6	5010212	90° Elbow, 1" MPT x 3/4" HB	1

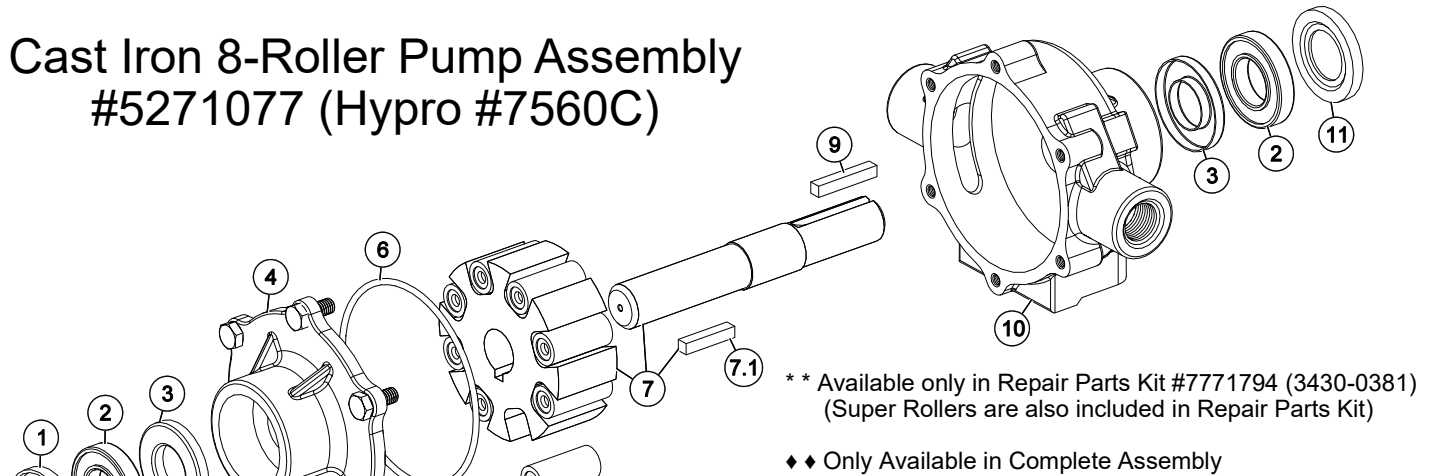


Ref. #:	Part #	Description:	Qty.:
1	45529-90-1/2	TeeJet Quick-Connect, 430 EC HB90 1/2"	3
2	5010209	Poly Elbow, 3/4" MNPT x 3/4" HB	3
3	5010212	90° Elbow, 1" MPT x 3/4" HB	1
4	5010231	Poly Tee, 3/4" FNPT	2
5	5011140	Poly Close Nipple, 3/4" MNPT	2
6	5011141	Poly Close Nipple, 1" MNPT	1
7	5011210	Reducing Nipple, 1" MPT x 3/4" MPT	1
8	5041078	Poly Reducer Bushing, 3/4" MNPT x 1/2" FNPT	1
9	5067125	Poly Fitting, 3/4" MNPT x 1/2" HB	1
10	5067127	Poly Fitting, 3/4" MNPT x 3/4" HB	1
11	5086030	Poly Hose Tee, 3/4" HB	1
12	5102070	Poly Pipe Plug, 1/2" MNPT	1
13	5116322	3/4" Black Poly Strainer	1
14	5143199	Pressure Relief Valve, 2/4" NPT	1
15	5143407	3/4" Union, Poly Ball Valve	1
16	5281197	Electric Ball Valve Mount Weldment	1
17	58430-6-433EC-2	TeeJet 430 Shut-Off Valve (3-Bank)	1
18	90-02580-MD	TeeJet 744KIT-3 Section/430 Series w/1" Regulator	1
19*	EPDM34	EPDM Hose, 200 psi, 3/4"	4'
20	HC12	Clamp, 5/8" to 3/4"	6

* Approx. Length of all hoses combined

7560C Component Breakdown & Parts List

Cast Iron 8-Roller Pump Assembly #5271077 (Hypro #7560C)

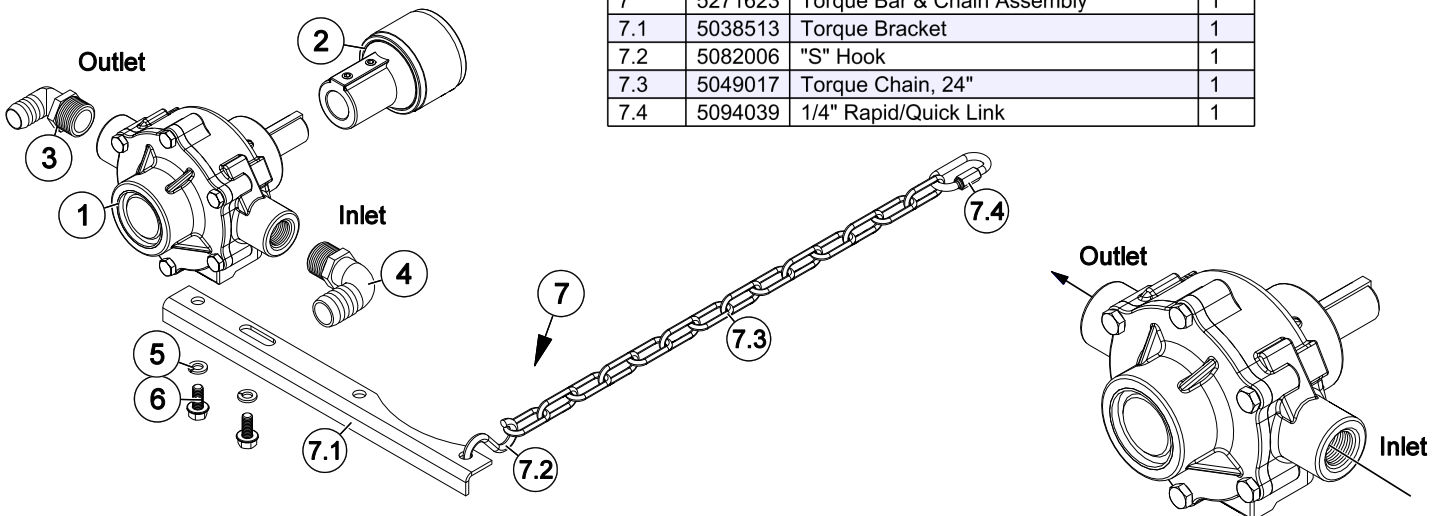


Ref. #	Part #	Mfg. Part #	Description	Qty
1	5017522	2300-0020	Bearing Cover	1
2	5031044	2008-0001	Sealed Ball Bearing	2
3	**	2112-0003	Viton Seal (Standard)	2
4	◆◆	0204-7500C	Endplate (Cast Iron) w/Seal	1
5	5034038	- - -	H.H.C.S. 5/16"-18nc x 3/4"	6
6	**	1720-0014	O-Ring Gasket for Endplate	1
7	5172113	0308-7560C	Rotor w/Shaft Assembly	1
7.1	1610-0059	1610-0059	Key (Stainless Steel)	1
8	5112030	1005-0004	Super Roller (Standard)	8
9	5089012	1610-0005	Key	1
10	◆◆	0104-7500C	Body (Cast Iron) w/Seal	1
11	5017523	2300-0022	Shaft Bearing Cover	1

Pump Speed (RPM)	0 PSI		50 PSI		100 PSI		150 PSI		200 PSI		250 PSI		300 PSI	
	GPM	HP	GPM	HP	GPM	HP	GPM	HP	GPM	HP	GPM	HP	GPM	HP
600	14.0	0.45	13.1	0.87	12.1	1.41	11.2	1.98	10.6	2.5	10.0	3.1	9.1	3.7

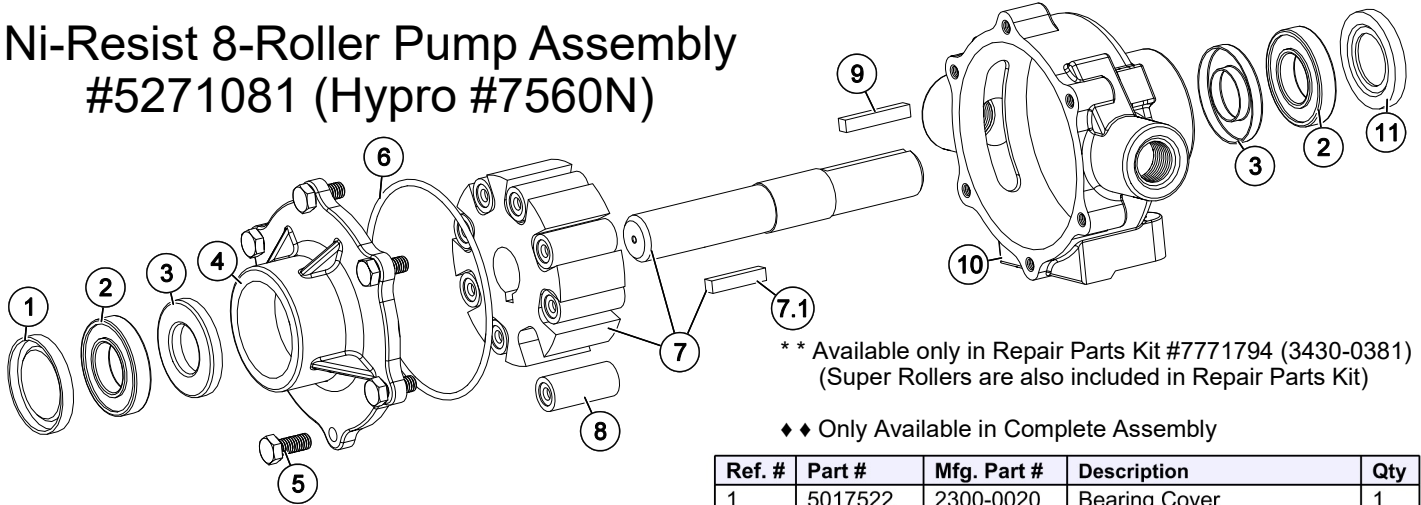
7560C-Pump Kit #5276935

Ref. #	Part #	Description	Qty
1	5271077	8-Roller Cast Iron Pump	1
2	5057146	Quick Coupler (15/16")	1
3	5010209	Poly Elbow, 3/4" MNPT x 3/4" HB	1
4	5010210	Poly Elbow, 3/4" MNPT x 1" HB	1
5	5016026	Lockwasher, 5/16"	2
6	5117323	H.H.C.S. Flanged 5/16"-18nc x 3/4" Long	2
7	5271623	Torque Bar & Chain Assembly	1
7.1	5038513	Torque Bracket	1
7.2	5082006	"S" Hook	1
7.3	5049017	Torque Chain, 24"	1
7.4	5094039	1/4" Rapid/Quick Link	1



7560N Component Breakdown & Parts List

Ni-Resist 8-Roller Pump Assembly #5271081 (Hypro #7560N)



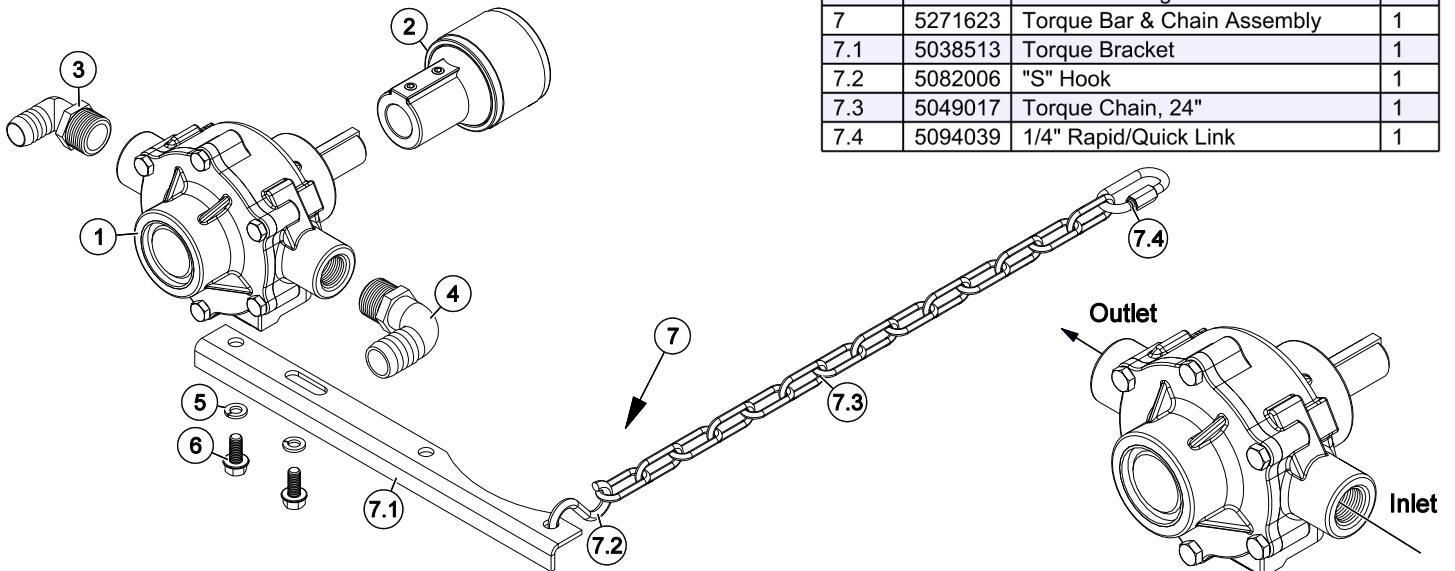
** Available only in Repair Parts Kit #7771794 (3430-0381)
(Super Rollers are also included in Repair Parts Kit)

◆◆ Only Available in Complete Assembly

Ref. #	Part #	Mfg. Part #	Description	Qty
1	5017522	2300-0020	Bearing Cover	1
2	5031044	2008-0001	Sealed Ball Bearing	2
3	**	2112-0003	Viton Seal (Standard)	2
4	◆◆	0204-7500C	Endplate (Ni-Resist) w/Seal	1
5	5034038	- - -	H.H.C.S. 5/16"-18nc x 3/4"	6
6	**	1720-0014	O-Ring Gasket for Endplate	1
7	3430-0745	3430-0745	Rotor w/Shaft Assembly	1
7.1	1610-0059	1610-0059	Key (Stainless Steel)	1
8	5112030	1005-0004	Super Roller (Standard)	8
9	5089012	1610-0005	Key	1
10	◆◆	0104-7500C	Body (Ni-Resist) w/Seal	1
11	5017523	2300-0022	Shaft Bearing Cover	1

Pump Speed (RPM)	0 PSI		50 PSI		100 PSI		150 PSI		200 PSI		250 PSI		300 PSI	
	GPM	HP	GPM	HP	GPM	HP	GPM	HP	GPM	HP	GPM	HP	GPM	HP
600	14.0	0.45	13.1	0.87	12.1	1.41	11.2	1.98	10.6	2.5	10.0	3.1	9.1	3.7

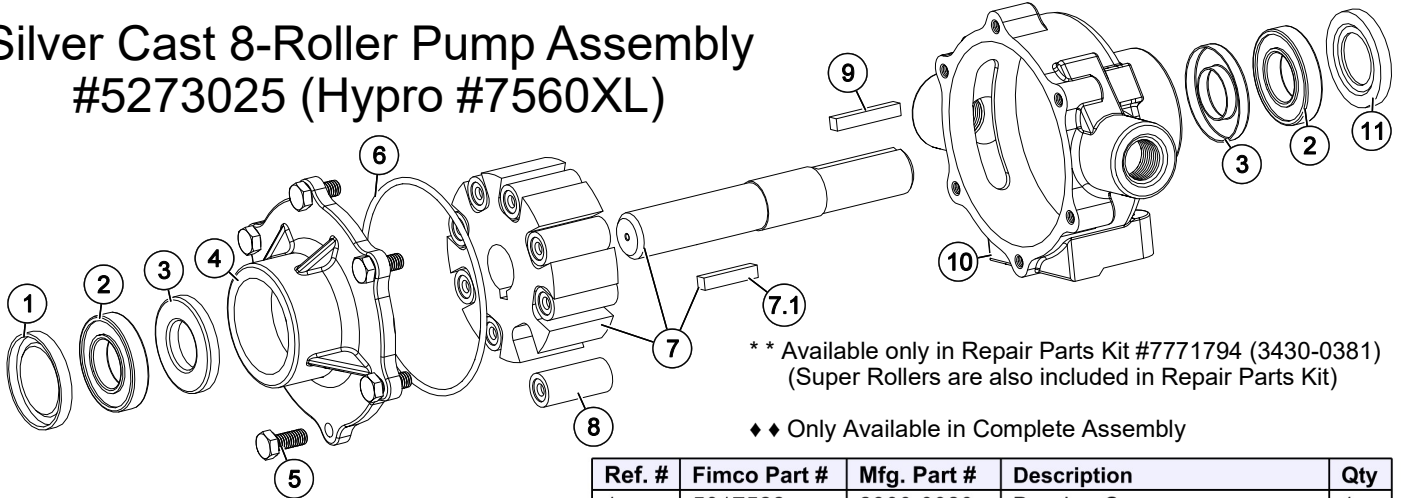
7560N-Pump Kit #5276978



Ref. #	Part #	Description	Qty
1	5271081	8-Roller Ni-Resist Pump	1
2	5057146	Quick Coupler (15/16")	1
3	5010209	Poly Elbow, 3/4" MNPT x 3/4" HB	1
4	5010210	Poly Elbow, 3/4" MNPT x 1" HB	1
5	5016026	Lockwasher, 5/16"	2
6	5117323	H.H.C.S. Flanged 5/16"-18nc x 3/4"	2
7	5271623	Torque Bar & Chain Assembly	1
7.1	5038513	Torque Bracket	1
7.2	5082006	"S" Hook	1
7.3	5049017	Torque Chain, 24"	1
7.4	5094039	1/4" Rapid/Quick Link	1

7560XL Component Breakdown & Parts List

Silver Cast 8-Roller Pump Assembly #5273025 (Hypro #7560XL)



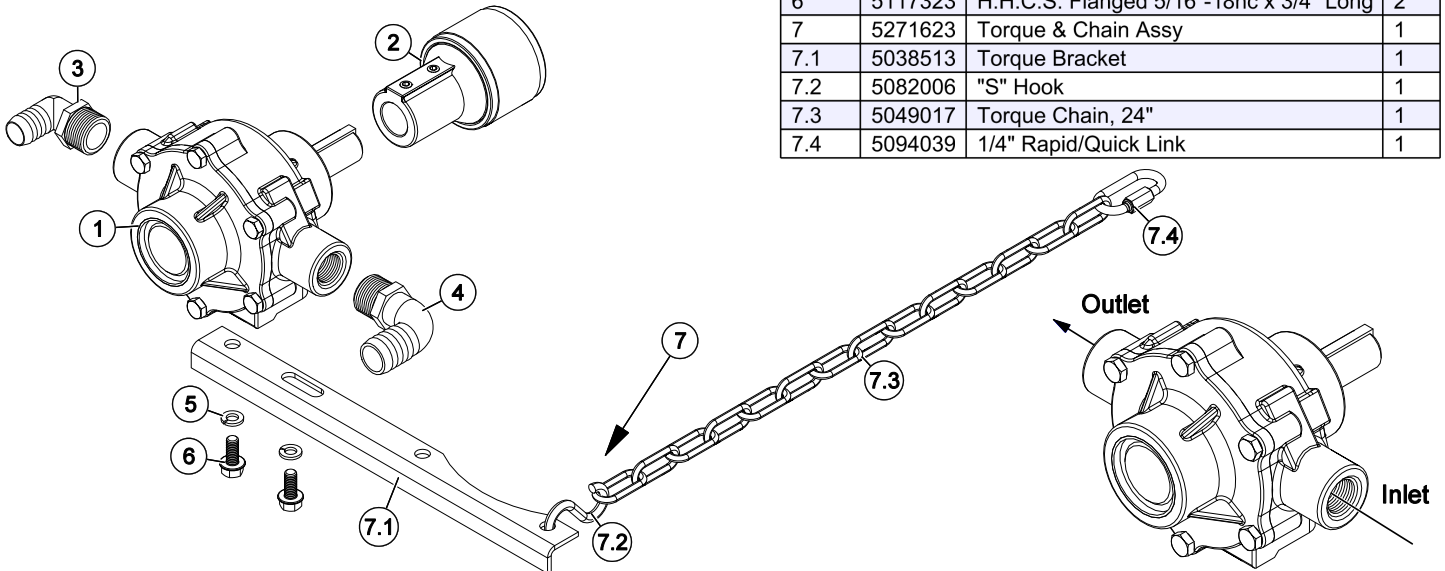
** Available only in Repair Parts Kit #7771794 (3430-0381)
(Super Rollers are also included in Repair Parts Kit)

◆◆ Only Available in Complete Assembly

Ref. #	Fimco Part #	Mfg. Part #	Description	Qty
1	5017522	2300-0020	Bearing Cover	1
2	5031044	2008-0001	Sealed Ball Bearing	2
3	**	2112-0003	Viton Seal (Standard)	2
4	◆◆	0204-7500X	Endplate (SilverCast) w/Seal	1
5	5034038	- - -	H.H.C.S. 5/16"-18nc x 3/4"	6
6*	**	1720-0014	O-Ring Gasket for Endplate	1
7	3430-0745	3430-0745	Rotor w/Shaft Assembly	1
7.1	1610-0059	1610-0059	Key (Stainless Steel)	1
8	5112030	1005-0004	Super Roller (Standard)	8
9	5089012	1610-0005	Key	1
10	◆◆	0104-7500X	Body (SilverCast) w/Seal	1
11	5017523	2300-0022	Shaft Bearing Cover	1

Pump Speed (RPM)	0 PSI		50 PSI		100 PSI		150 PSI		200 PSI		250 PSI		300 PSI	
	GPM	HP	GPM	HP	GPM	HP	GPM	HP	GPM	HP	GPM	HP	GPM	HP
600	14.0	0.45	13.1	0.87	12.1	1.41	11.2	1.98	10.6	2.5	10.0	3.1	9.1	3.7

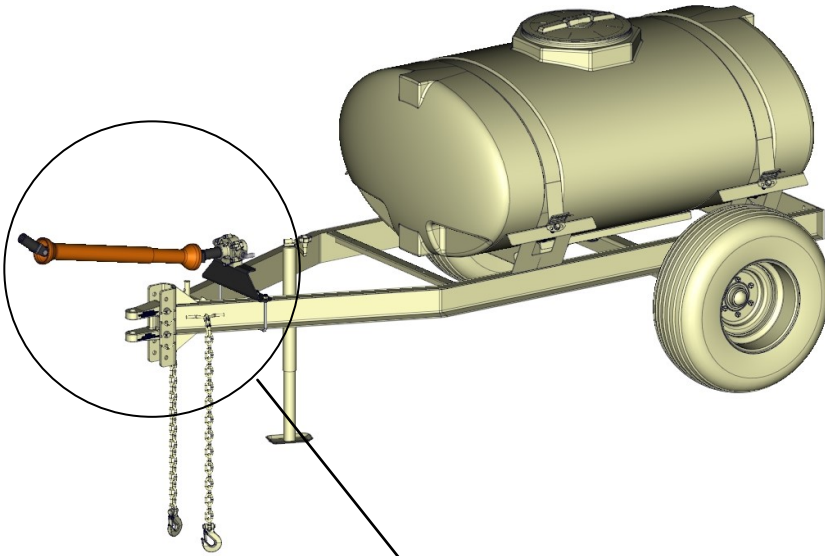
7560XL-Pump Kit #5276935



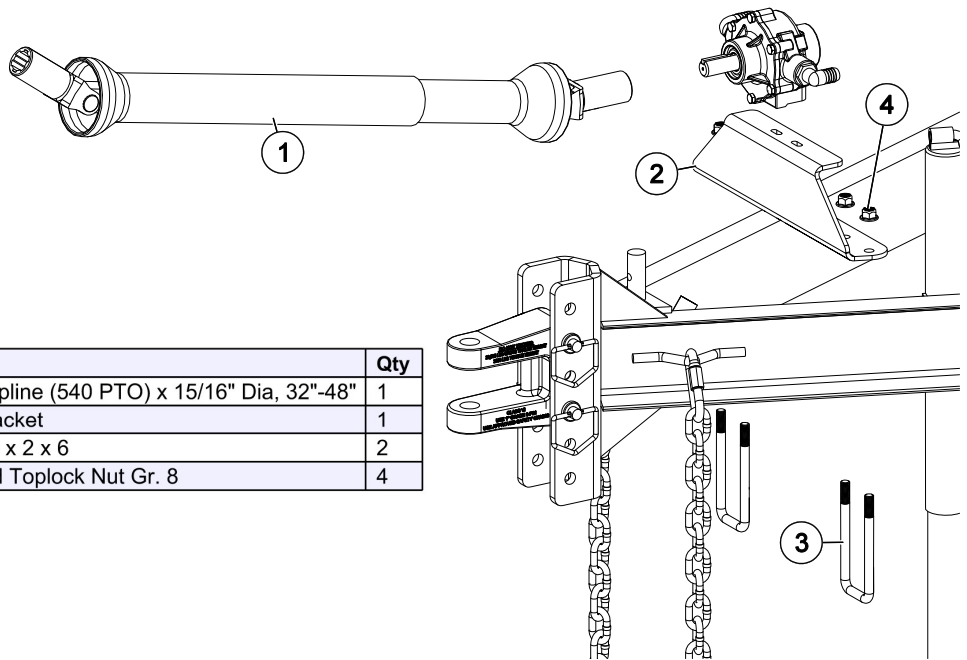
Ref. #	Part #	Description	Qty
1	5273025	8 Roller Silvercast Pump	1
2	5057146	Quick Coupler (15/16")	1
3	5010209	Poly Elbow, 3/4" MNPT x 3/4" HB	1
4	5010210	Poly Elbow, 3/4" MNPT x 1" HB	1
5	5016026	Lockwasher, 5/16"	2
6	5117323	H.H.C.S. Flanged 5/16"-18nc x 3/4" Long	2
7	5271623	Torque & Chain Assy	1
7.1	5038513	Torque Bracket	1
7.2	5082006	"S" Hook	1
7.3	5049017	Torque Chain, 24"	1
7.4	5094039	1/4" Rapid/Quick Link	1

Pump Options

TRL-PTO-KIT #5281011



Pump & Trailer Unit
Shown for reference only



Ref. #	Part #	Description	Qty
1	641666	PTO Shaft, 1 3/8" 6 Spline (540 PTO) x 15/16" Dia, 32"-48"	1
2	5038917	PTO Pump Mount Bracket	1
3	1213622SQBDZ	Square U-Bolt, 1/2-13 x 2 x 6	2
4	5006365	1/2-13nc Hex Flanged Toplock Nut Gr. 8	4

Warranty Info

LIMITED WARRANTY FOR NEW AG SPRAY EQUIPMENT

WHO MAY USE THIS LIMITED WARRANTY. This limited warranty (the "Limited Warranty") is provided by Fimco, Inc. ("Ag Spray Equipment") to the original purchaser ("you") of the Equipment (as defined below) from Ag Spray Equipment or one of Ag Spray Equipment's authorized dealers. This Limited Warranty does not apply to any subsequent owner or other transferee of the Equipment. THIS LIMITED WARRANTY GIVES YOU SPECIFIC LEGAL RIGHTS, AND YOU MAY ALSO HAVE OTHER RIGHTS WHICH VARY FROM STATE TO STATE.

WHAT THIS LIMITED WARRANTY COVERS AND FOR HOW LONG. Ag Spray Equipment warrants that any new Equipment will be free from defects in material and workmanship for a period of **one (1) year** (homeowner), **90 days** (commercial user), after delivery of the Equipment to you (the "Warranty Period"). The Warranty Period is not extended if Ag Spray Equipment repairs or replaces the Equipment.

WHAT IS NOT COVERED BY THIS LIMITED WARRANTY. This Limited Warranty does not apply to: (1) used Equipment; (2) any Equipment that has been altered, changed, repaired or treated since its delivery to you, other than by Ag Spray Equipment or its authorized dealers; (3) damage or depreciation due to normal wear and tear; (4) defects or damage due to failure to follow Ag Spray Equipment's operator's manual, specifications or other written instructions, or improper storage, operation, maintenance, application or installation of parts; (5) defects or damage due to misuse, accident or neglect, "acts of God" or other events beyond Ag Spray Equipment's reasonable control; (6) accessories, attachments, tools or parts that were not manufactured by Ag Spray Equipment, whether or not sold or operated with the Equipment; or (7) rubber parts, such as tires, hoses and grommets.

HOW TO OBTAIN WARRANTY SERVICE. To obtain warranty service under this Limited Warranty, you must (1) provide written notice to Ag Spray Equipment of the defect during the Warranty Period and within **thirty (30) days** after the defect becomes apparent or the repair becomes necessary, at the following address: Ag Spray Equipment, 1000 Fimco Lane, North Sioux City, SD 57049; and (2) make the Equipment available to Ag Spray Equipment or an authorized dealer within a reasonable period of time. For more information about this Limited Warranty, please call: **800-274-1025**

WHAT REMEDIES ARE AVAILABLE UNDER THIS LIMITED WARRANTY. If the conditions set forth above are fulfilled and the Equipment or any part thereof is found to be defective, Ag Spray Equipment shall, at its own cost, and at its option, either repair or replace the defective Equipment or part. Ag Spray Equipment will pay for shipping and handling fees to return the repaired or replacement Equipment or part to you.

LIMITATION OF IMPLIED WARRANTIES AND OTHER REMEDIES. THE REMEDIES DESCRIBED ABOVE ARE YOUR SOLE AND EXCLUSIVE REMEDIES, AND AG SPRAY EQUIPMENT'S SOLE LIABILITY, FOR ANY BREACH OF THIS LIMITED WARRANTY. TO THE EXTENT APPLICABLE, ANY IMPLIED WARRANTIES, INCLUDING, WITHOUT LIMITATION, THE IMPLIED WARRANTIES OF MERCHANTABILITY AND FITNESS FOR A PARTICULAR PURPOSE, SHALL BE LIMITED IN DURATION TO THE WARRANTY PERIOD, AND THE REMEDIES AVAILABLE FOR BREACH THEREOF SHALL BE LIMITED TO THE REMEDIES AVAILABLE UNDER THIS EXPRESS LIMITED WARRANTY. SOME STATES DO NOT ALLOW LIMITATIONS ON HOW LONG AN IMPLIED WARRANTY LASTS, SO THE ABOVE LIMITATION MAY NOT APPLY TO YOU. IN NO EVENT SHALL AG SPRAY EQUIPMENT'S LIABILITY UNDER THIS LIMITED WARRANTY EXCEED THE ACTUAL AMOUNT PAID BY YOU FOR THE DEFECTIVE EQUIPMENT, NOR SHALL AG SPRAY EQUIPMENT BE LIABLE, UNDER ANY CIRCUMSTANCES, FOR ANY CONSEQUENTIAL, INCIDENTAL, SPECIAL OR PUNITIVE DAMAGES OR LOSSES, WHETHER DIRECT OR INDIRECT. SOME STATES DO NOT ALLOW THE EXCLUSION OR LIMITATION OF INCIDENTAL OR CONSEQUENTIAL DAMAGES, SO THE ABOVE LIMITATION OR EXCLUSION MAY NOT APPLY TO YOU.



BAKERSFIELD, CA
4618 SACO RD, 93308
661.391.9081
Toll Free: 877.724.2236
F: 661.391.9085
BAKERSFIELD@AGSPRAY.COM

COLUMBUS, NE
5834 23rd ST, 68601
402.564.4544
Toll Free: 800.274.1025
F: 402.564.0549
COLUMBUS@AGSPRAY.COM

DOTHAN, AL
2401 FORRESTER RD, 36301
334.673.0580
Toll Free: 800.227.4098
F: 334.673.1974
DOTHAN@AGSPRAY.COM

FARGO, ND
4350 48th AVE N, 58102
701.280.2862
Toll Free: 800.373.4084
F: 701.293.0961
FARGO@AGSPRAY.COM

HOPKINSVILLE, KY
3303 PEMBROKE RD, 42240
270.886.0296
Toll Free: 800.637.7172
F: 270.885.7392
HOPKINSVILLE@AGSPRAY.COM

MANKATO, MN
907 SOUTHBEND AVE, 56001
507.377.6295
Toll Free: 800.722.9376
F: 507.388.4668
MANKATO@AGSPRAY.COM

NEWTON, KS
7000 SCHABEN CT, 67114
316.283.4444
Toll Free: 800.394.7662
F: 316.293.4646
NEWTON@AGSPRAY.COM

PASCO, WA
3035 TRAVEL PLAZA WAY, 99301
509.488.6631
Toll Free: 800.634.2026
F: 509.488.2927
OTHELLO@AGSPRAY.COM

TEMPE, AZ
8464 KYRENE RD, 85284
480.705.8047
Toll Free: 877.705-8047
F: 480.705.8048
TEMPE@AGSPRAY.COM